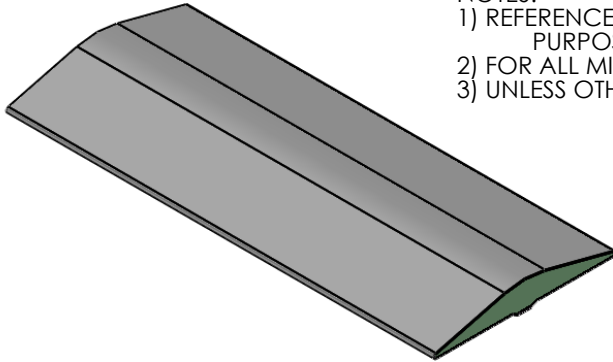


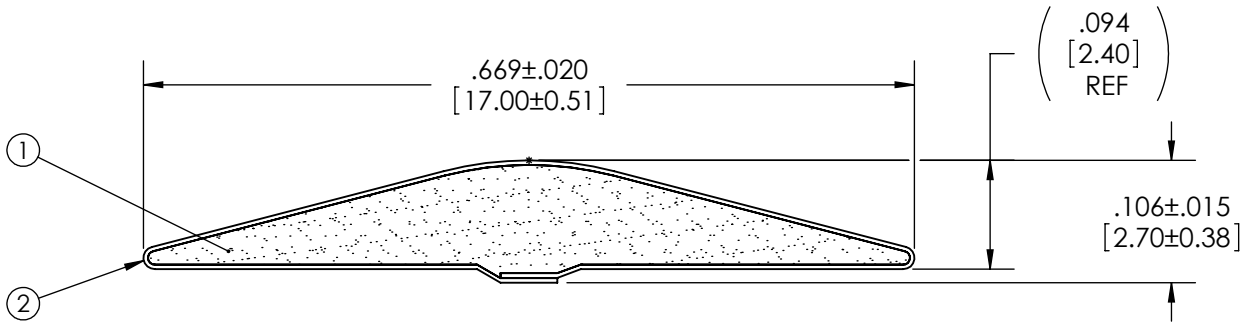
Revisions			
Level		Date	By
(A)	REV TO SOLIDWORKS	4/5/10	BEP
(B)			
(C)			
(D)			

ROCHESTER DIVISION PRODUCT PRINT

The information disclosed in this drawing is confidential and the property of Schlegel Electronic Materials, INC. The use, disclosure, or reproduction of this information and related know-how is prohibited without written permission from Schlegel Electronic Materials, INC.



- NOTES:
 1) REFERENCE DIMENSIONS (REF) HAVE NO TOLERANCE AND ARE FOR INFORMATIVE PURPOSES ONLY.
 2) FOR ALL MISSING DIMENSIONS 3D CAD FILES SHOULD BE USED.
 3) UNLESS OTHERWISE SPECIFIED INTERPRET TOLERANCES ACCORDING TO ISO 2768C.



TOLERANCES

Profile thickness: $\pm .015$ " (0.38mm)
 Profile width: $\pm .020$ " (0.51mm)



SCALE 1:1

DIMS: MILLIMETERS <input checked="" type="checkbox"/> INCHES <input checked="" type="checkbox"/>		<input checked="" type="checkbox"/> <input type="checkbox"/>		(4)		
PDR NO.:				(3)		
CUSTOMER NAME:				(2)	SEE B.O.M.	CONDUCTIVE FABRIC
CUST DWG NO.:				(1)	SEE B.O.M.	URETHANE FOAM
SIZE	Date	Item No.	RM Number	Material Description		
A				SHEET 1 OF 2		
SCALE: 6:1	Approved By	Drawn By WEI	Title 2.7mm x 17mm D-SHAPE EMI			
Cad File No. CC87671A	Part No. EY8xxXxxxxx	Dwg. No. CC3E8767	Rev. A			

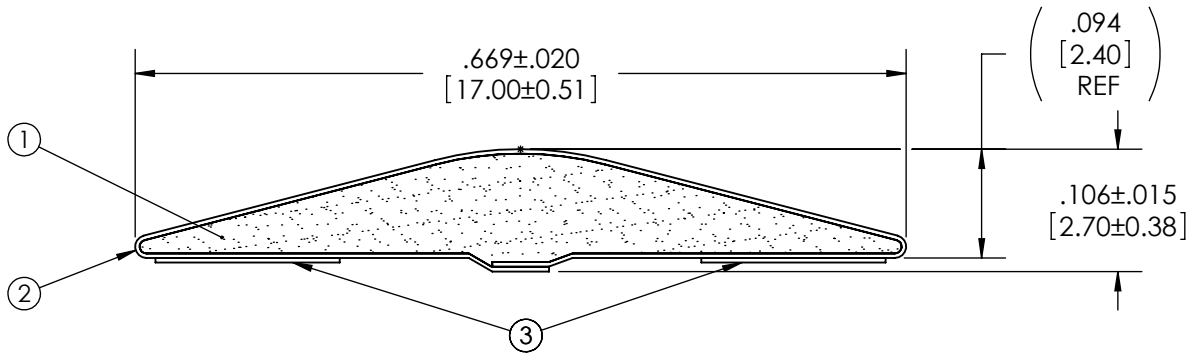
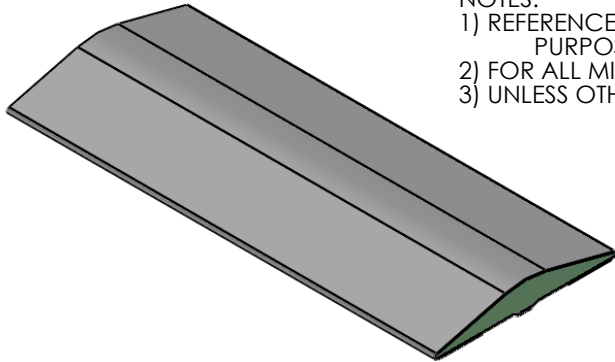
Revisions			
Level		Date	By
(A)	REV TO SOLIDWORKS	4/5/10	BEP
(B)			
(C)			
(D)			

ROCHESTER DIVISION PRODUCT PRINT

The information disclosed in this drawing is confidential and the property of Schlegel Electronic Materials, INC. The use, disclosure, or reproduction of this information and related know-how is prohibited without written permission from Schlegel Electronic Materials, INC.

NOTES:

- 1) REFERENCE DIMENSIONS (REF) HAVE NO TOLERANCE AND ARE FOR INFORMATIVE PURPOSES ONLY.
- 2) FOR ALL MISSING DIMENSIONS 3D CAD FILES SHOULD BE USED.
- 3) UNLESS OTHERWISE SPECIFIED INTERPRET TOLERANCES ACCORDING TO ISO 2768C.



TOLERANCES

Profile thickness: $\pm .015$ " (0.38mm)
 Profile width: $\pm .020$ " (0.51mm)



DIMS: MILLIMETERS <input checked="" type="checkbox"/> INCHES <input checked="" type="checkbox"/>		<input checked="" type="checkbox"/> <input type="checkbox"/>		(4)		
PDR NO.:		(3)		SEE B.O.M.	PSA .160" WIDE (UNLESS OTHERWISE SPECIFIED)	
CUSTOMER NAME:		(2)		SEE B.O.M.	CONDUCTIVE FABRIC	
CUST DWG NO.:		(1)		SEE B.O.M.	URETHANE FOAM	
SIZE	Date	SHEET 2 OF 2		Item No.	RM Number	Material Description
A	3/5/2010					
SCALE: 6:1		Approved By		Drawn By WEI		Title 2.7mm x 17mm D-SHAPE EMI
Cad File No. CC87671A		Part No. EY8xx2Txxxx		Dwg. No. CC3E8767		Rev. A