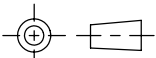
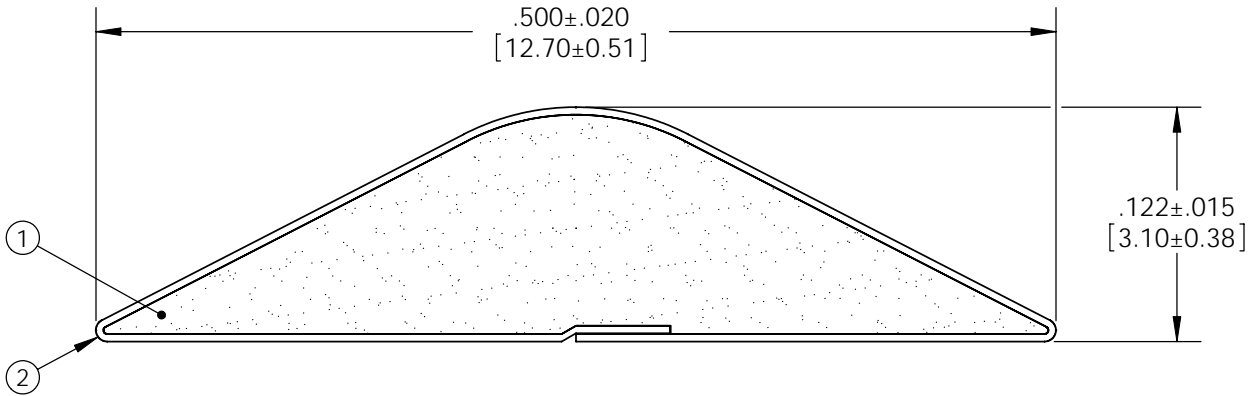
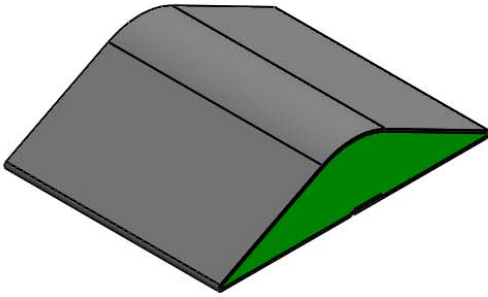


Revisions			
Level		Date	By
(A)	REV TO SOLIDWORKS	11/23/09	BEP
(B)			
(C)			
(D)			

ROCHESTER DIVISION PRODUCT PRINT

The information disclosed in this drawing is confidential and the property of Schlegel Electronic Materials, INC. The use, disclosure, or reproduction of this information and related know-how is prohibited without written permission from Schlegel Electronic Materials, INC.



TOLERANCES

Profile thickness: ± 0.015 " (0.38mm)
 Profile width: ± 0.020 " (0.51mm)

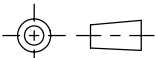
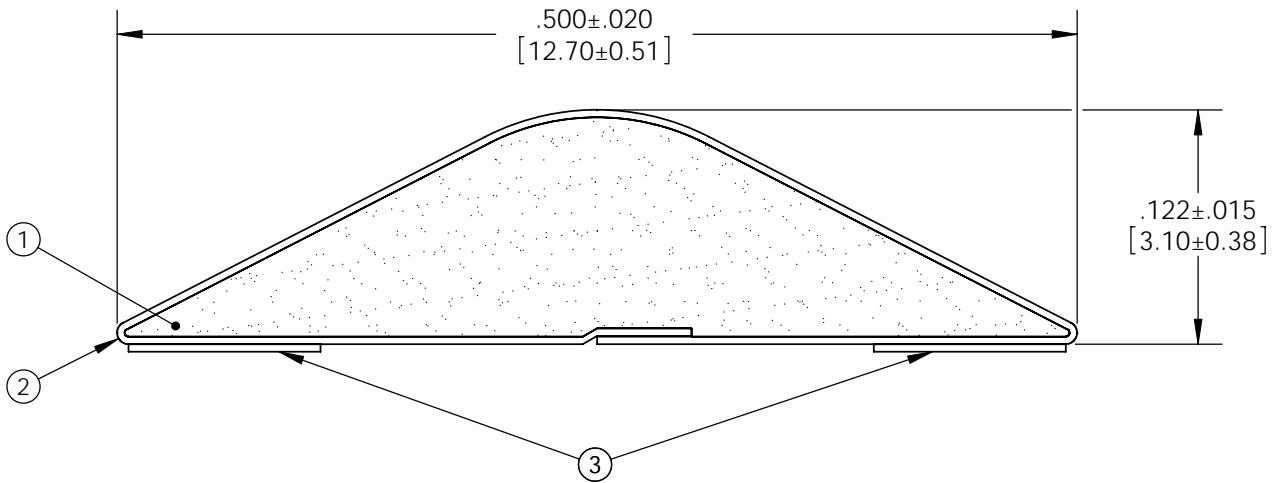
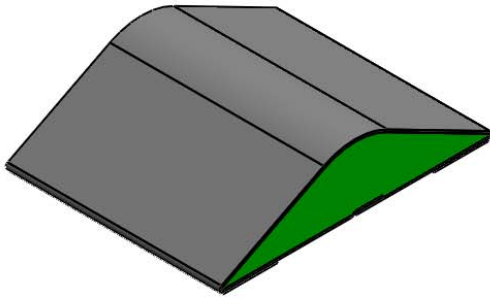


PDR NO.:	(4)		
QUOTE NO.:	(3)		
CUSTOMER NAME:	(2)	SEE B.O.M.	CONDUCTIVE FABRIC
CUST DWG NO.:	(1)	SEE B.O.M.	UREHANE FOAM
SIZE A	Date	11/19/2009	
SHEET 1 OF 3		Item No.	Material Description
SCALE: 10:1	Approved By	Drawn By WEI	Title 3.1mm x 12.7mm D-SHAPE EMI
Cad File No. CC87281A	Part No. EX7xxXXXXXX	Dwg. No. CC3E8728	Rev. A

Revisions			
Level		Date	By
(A)	REV TO SOLIDWORKS	11/23/09	BEP
(B)			
(C)			
(D)			

ROCHESTER DIVISION PRODUCT PRINT

The information disclosed in this drawing is confidential and the property of Schlegel Electronic Materials, INC. The use, disclosure, or reproduction of this information and related know-how is prohibited without written permission from Schlegel Electronic Materials, INC.



TOLERANCES

Profile thickness: ± 0.015 " (0.38mm)
 Profile width: ± 0.020 " (0.51mm)



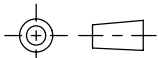
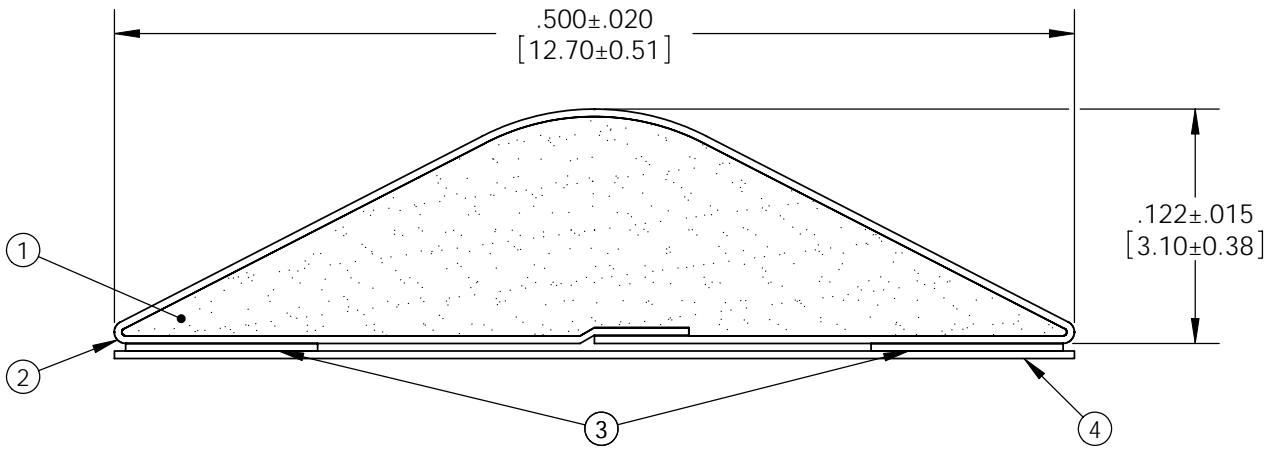
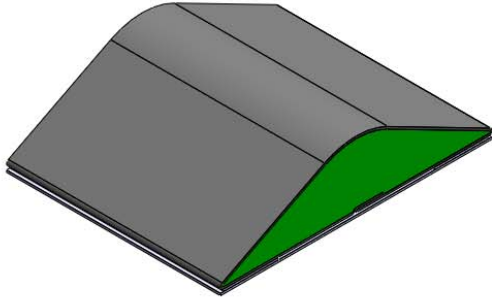
SCALE 1:1

PDR NO.:	(4)		
QUOTE NO.:	(3)	SEE B.O.M.	PSA .100" WIDE (UNLESS OTHERWISE SPECIFIED)
CUSTOMER NAME:	(2)	SEE B.O.M.	CONDUCTIVE FABRIC
CUST DWG NO.:	(1)	SEE B.O.M.	UREHANE FOAM
SIZE A	Date	11/19/2009	
SHEET 2 OF 3		Item No.	Material Description
SCALE: 10:1	Approved By	Drawn By WEI	Title 3.1mm x 12.7mm D-SHAPE EMI
Cad File No. CC87281A	Part No. EX7xx2Txxxx	Dwg. No. CC3E8728	Rev. A

Level		Date	By
(A)	REV TO SOLIDWORKS	11/23/09	BEP
(B)			
(C)			
(D)			

ROCHESTER DIVISION PRODUCT PRINT

The information disclosed in this drawing is confidential and the property of Schlegel Electronic Materials, INC. The use, disclosure, or reproduction of this information and related know-how is prohibited without written permission from Schlegel Electronic Materials, INC.



TOLERANCES

Profile thickness: $\pm .015"$ (0.38mm)
 Profile width: $\pm .020"$ (0.51mm)



SCALE 1:1

PDR NO.:	(4)	SEE B.O.M.	RELEASE LINER .500" WIDE (UNLESS OTHERWISE SPECIFIED)
QUOTE NO.:	(3)	SEE B.O.M.	PSA .100" WIDE (UNLESS OTHERWISE SPECIFIED)
CUSTOMER NAME:	(2)	SEE B.O.M.	CONDUCTIVE FABRIC
CUST DWG NO.:	(1)	SEE B.O.M.	UREHANE FOAM
SIZE A	Date	11/19/2009	
SHEET 3 OF 3		Item No.	Material Description
SCALE: 10:1	Approved By	Drawn By WEI	Title 3.1mm x 12.7mm D-SHAPE EMI
Cad File No. CC87281A	Part No. EX7xxZxxxxx	Dwg. No. CC3E8728	Rev. A