

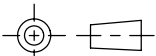
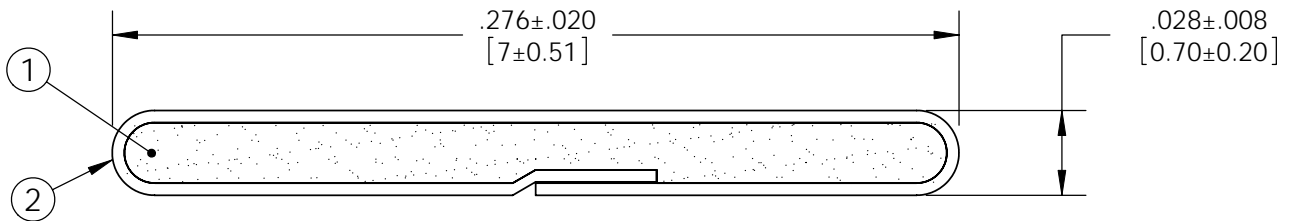
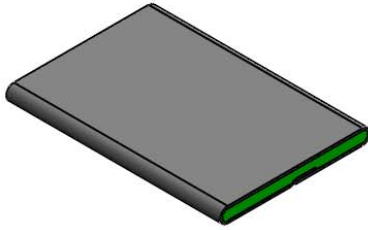


Revisions

| Level | Date | By |
|-------|------|----|
| (A)   |      |    |
| (B)   |      |    |
| (C)   |      |    |
| (D)   |      |    |

ROCHESTER DIVISION PRODUCT PRINT

The information disclosed in this drawing is confidential and the property of Schlegel Electronic Materials, INC. The use, disclosure, or reproduction of this information and related know-how is prohibited without written permission from Schlegel Electronic Materials, INC.



TOLERANCES

Profile thickness:  $\pm .008$ " (0.20mm)  
 Profile width:  $\pm .020$ " (0.51mm)

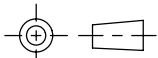
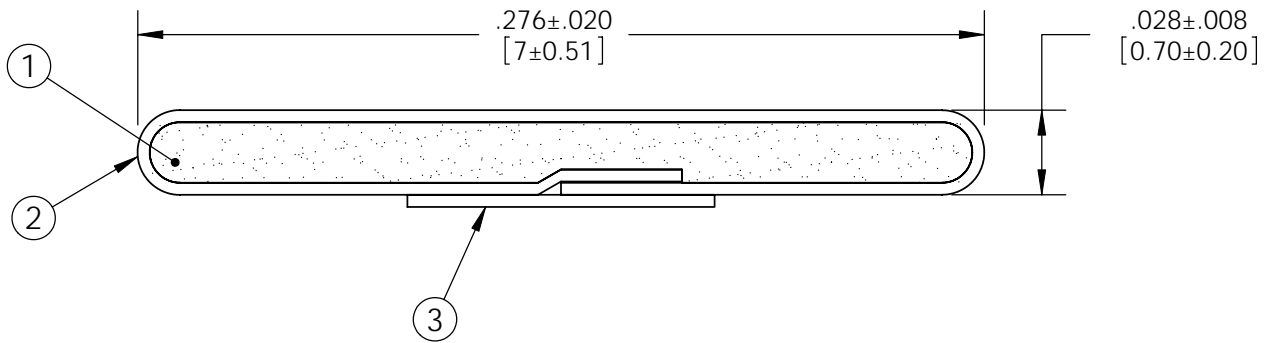
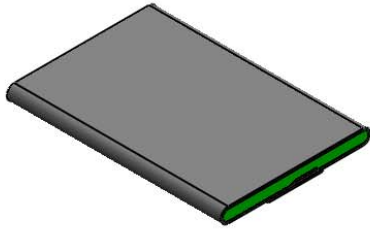
SCALE 1:1

|                      |                      |                   |                        |
|----------------------|----------------------|-------------------|------------------------|
| PDR NO.:             | (4)                  |                   |                        |
| QUOTE NO.:           | (3)                  |                   |                        |
| CUSTOMER NAME:       | (2)                  | SEE B.O.M.        | CONDUCTIVE FABRIC      |
| CUST DWG NO.:        | (1)                  | SEE B.O.M.        | URETHANE FOAM          |
| SIZE <b>A</b>        | Date                 | 9/3/2009          |                        |
| SHEET 1 OF 2         |                      | Item No.          | Material Description   |
| SCALE: 10:1          | Approved By          | Drawn By: BEP     | Title: 0.7mm x 7mm EMI |
| Cad File No. CC86721 | Part No. EW5xxXxxxxx | Dwg. No. CC3E8672 | Rev.                   |

| Level | Date | By |
|-------|------|----|
| (A)   |      |    |
| (B)   |      |    |
| (C)   |      |    |
| (D)   |      |    |

ROCHESTER DIVISION PRODUCT PRINT

The information disclosed in this drawing is confidential and the property of Schlegel Electronic Materials, INC. The use, disclosure, or reproduction of this information and related know-how is prohibited without written permission from Schlegel Electronic Materials, INC.



TOLERANCES

Profile thickness:  $\pm .008"$  (0.20mm)  
 Profile width:  $\pm .020"$  (0.51mm)

SCALE 1:1

|                      |                      |                   |   |
|----------------------|----------------------|-------------------|---|
| PDR NO.:             | (4)                  |                   |   |
| QUOTE NO.:           | (3)                  | SEE B.O.M.        | PSA .100" WIDE (UNLESS OTHERWISE SPECIFIED) |
| CUSTOMER NAME:       | (2)                  | SEE B.O.M.        | CONDUCTIVE FABRIC                           |
| CUST DWG NO.:        | (1)                  | SEE B.O.M.        | URETHANE FOAM                               |
| SIZE A               | Date                 | 9/3/2009          |   |
| SHEET 2 OF 2         |                      | Item No.          | Material Description                        |
| SCALE: 10:1          | Approved By          | Drawn By: BEP     | Title: 0.7mm x 7mm EMI                      |
| Cad File No. CC86721 | Part No. EW5xxTxxxxx | Dwg. No. CC3E8672 | Rev.  |