

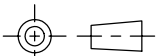
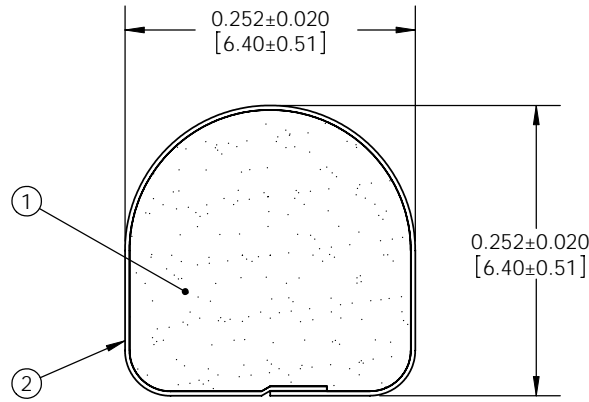
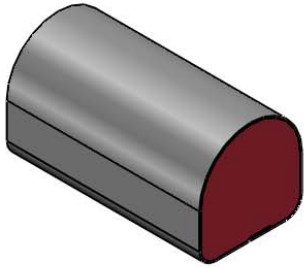


Revisions

Level		Date	By
○	RELEASE	5/5/08	BEP
Ⓐ	REV TO SOLIDWORKS	2/23/09	BEP
Ⓑ			
Ⓒ			

ROCHESTER DIVISION PRODUCT PRINT

The information disclosed in this drawing is confidential and the property of Schlegel Electronic Materials, INC. The use, disclosure, or reproduction of this information and related know-how is prohibited without written permission from Schlegel Electronic Materials, INC.



TOLERANCES
 Profile thickness: ±.020" (0.51mm)
 Profile width: ±.020" (0.51mm)



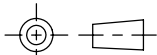
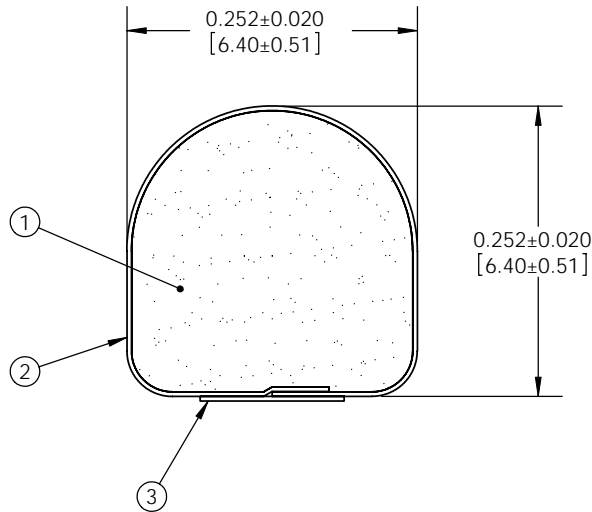
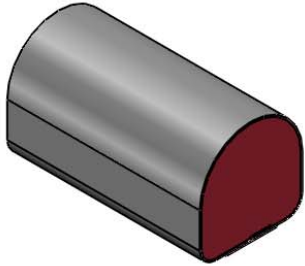
SCALE 1:1

PDR NO.:			
QUOTE NO.:	③		
CUSTOMER NAME:	②	SEE B.O.M.	CONDUCTIVE FABRIC
CUST DWG NO.:	①	SEE B.O.M.	URETHANE FOAM
SIZE A	Date 5/5/2008	Item No.	RM Number
SHEET 1 OF 3		Material Description	
SCALE: 6:1	Approved By	Drawn By BEP	Title 6.4mm x 6.4mm D-SHAPE EMI
Cad File No. DC46251A	Part No. EU9xxXXXXXX	Dwg. No. DC3E4625	Rev. A

Level		Date	By
○	RELEASE	5/5/08	BEP
Ⓐ	REV TO SOLIDWORKS	2/23/09	BEP
Ⓑ			
Ⓒ			

ROCHESTER DIVISION PRODUCT PRINT

The information disclosed in this drawing is confidential and the property of Schlegel Electronic Materials, INC. The use, disclosure, or reproduction of this information and related know-how is prohibited without written permission from Schlegel Electronic Materials, INC.



TOLERANCES
 Profile thickness: ±.020" (0.51mm)
 Profile width: ±.020" (0.51mm)



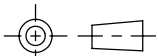
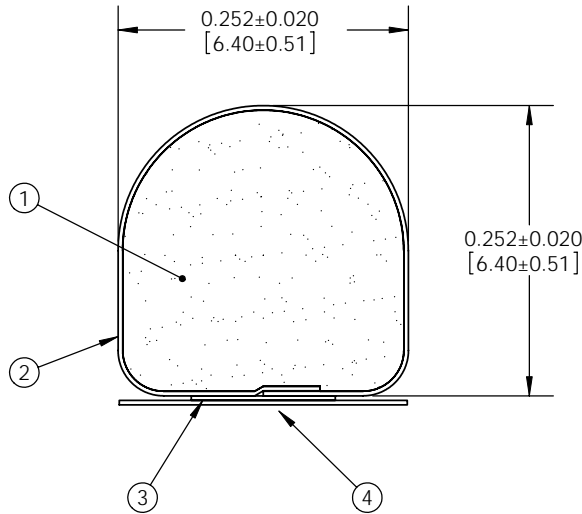
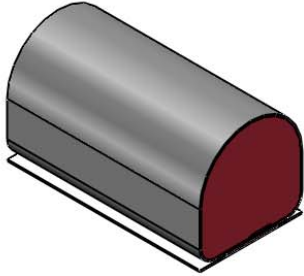
SCALE 1:1

PDR NO.:			
QUOTE NO.:	③	SEE B.O.M.	PSA .125" WIDE (UNLESS OTHERWISE SPECIFIED)
CUSTOMER NAME:	②	SEE B.O.M.	CONDUCTIVE FABRIC
CUST DWG NO.:	①	SEE B.O.M.	URETHANE FOAM
SIZE A	Date 5/5/2008		
SHEET 2 OF 3		Item No.	Material Description
SCALE: 6:1	Approved By	Drawn By BEP	Title 6.4mm x 6.4mm D-SHAPE EMI
Cad File No. DC46251A	Part No. EU9xxTxxxxx	Dwg. No. DC3E4625	Rev. A

Level		Date	By
○	RELEASE	5/5/08	BEP
Ⓐ	UPDATE SHEET FORMAT	2/23/09	BEP
Ⓑ			
Ⓒ			

ROCHESTER DIVISION PRODUCT PRINT

The information disclosed in this drawing is confidential and the property of Schlegel Electronic Materials, INC. The use, disclosure, or reproduction of this information and related know-how is prohibited without written permission from Schlegel Electronic Materials, INC.



TOLERANCES
 Profile thickness: ±.020" (0.51mm)
 Profile width: ±.020" (0.51mm)



SCALE 1:1

PDR NO.:	④	SEE B.O.M.	RELEASE LINER .250" WIDE (UNLESS OTHERWISE SPECIFIED)
QUOTE NO.:	③	SEE B.O.M.	PSA .125" WIDE (UNLESS OTHERWISE SPECIFIED)
CUSTOMER NAME:	②	SEE B.O.M.	CONDUCTIVE FABRIC
CUST DWG NO.:	①	SEE B.O.M.	URETHANE FOAM
SIZE A	Date 5/5/2008	Item No.	RM Number
SHEET 3 OF 3		Material Description	
SCALE: 6:1	Approved By	Drawn By BEP	Title 6.4mm x 6.4mm D-SHAPE EMI
Cad File No. DC46251A	Part No. EU9xxZxxxxx	Dwg. No. DC3E4625	Rev. A