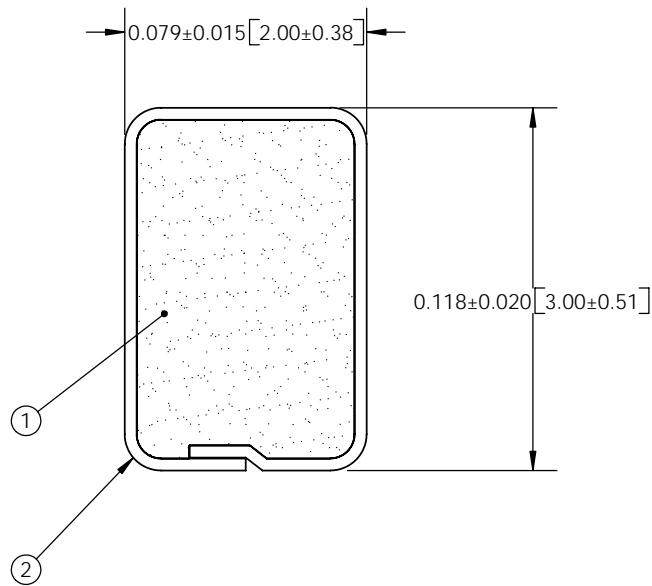


Level	Date	By
(A)		
(B)		
(C)		
(D)		

ROCHESTER DIVISION PRODUCT PRINT

The information disclosed in this drawing is confidential and the property of Schlegel Electronic Materials, INC. The use, disclosure, or reproduction of this information and related know-how is prohibited without written permission from Schlegel Electronic Materials, INC.



TOLERANCES

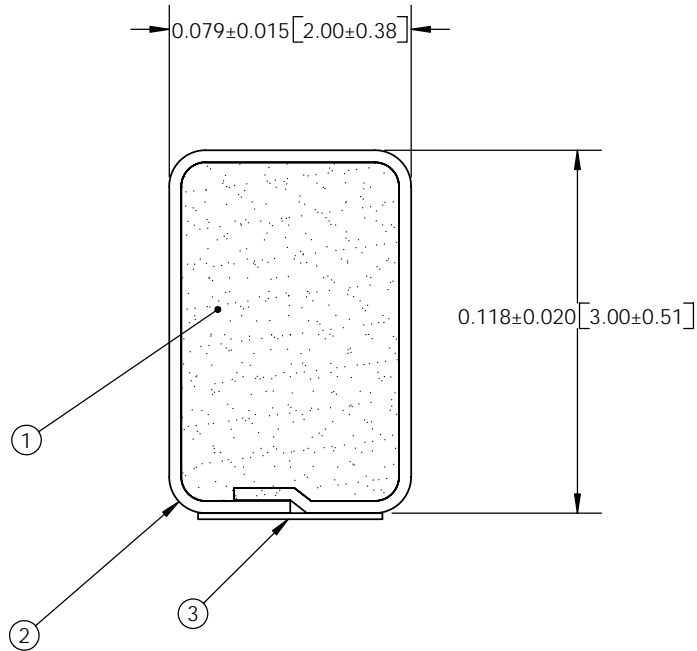
Profile thickness: ± 0.015 " (0.38mm)
 Profile width: ± 0.020 " (0.51mm)
 Length: 1.00"-6.00" = ± 0.030 " (0.76mm)
 6.00"-12.00" = ± 0.040 " (1.0mm)
 Hole diameter: .062"-.500" = ± 0.010 " (0.25mm)
 .501"-1.00" = ± 0.015 " (0.38mm)
 Die cut edge to feature : .062"-.500" = ± 0.015 " (0.38mm)
 .501"-1.00" = ± 0.030 " (0.76mm)

PDR NO.:			
QUOTE NO.:	QU0740	(3)	
CUSTOMER NAME:		(2)	SEE B.O.M.
CUST DWG NO.:		(1)	SEE B.O.M
SIZE	Date 10/7/2008		3mm x 2mm URETHANE FOAM
A	SHEET 1 OF 2	Item No.	Material Description
SCALE: 10:1	Approved By	Drawn By	BEP
			Title 3mm x 2mm PROFILE
Cad File No.	DC47241	Part No.	EU5xxXxxxxx
		Dwg. No.	DC3E4724
			Rev.

Level	Date	By
(A)		
(B)		
(C)		
(D)		

ROCHESTER DIVISION PRODUCT PRINT

The information disclosed in this drawing is confidential and the property of Schlegel Electronic Materials, INC. The use, disclosure, or reproduction of this information and related know-how is prohibited without written permission from Schlegel Electronic Materials, INC.



TOLERANCES

- Profile thickness: $\pm 0.15"$ (0.38mm)
- Profile width: $\pm 0.020"$ (0.51mm)
- Length: 1.00"-6.00" = $\pm 0.030"$ (0.76mm)
- 6.00"-12.00" = $\pm 0.040"$ (1.0mm)
- Hole diameter: .062"-.500" = $\pm 0.010"$ (0.25mm)
- .501"-1.00" = $\pm 0.015"$ (0.38mm)
- Die cut edge to feature : .062"-.500" = $\pm 0.015"$ (0.38mm)
- .501"-1.00" = $\pm 0.030"$ (0.76mm)

PDR NO.:			
QUOTE NO.:	QU0740	(3)	SEE B.O.M. ADHESIVE SLIT TO 0.060"
CUSTOMER NAME:		(2)	SEE B.O.M. CONDUCTIVE FABRIC
CUST DWG NO.:		(1)	SEE B.O.M. 3mm x 2mm URETHANE FOAM
SIZE	Date 10/7/2008	Item No.	RM Number
A	SHEET 2 OF 2		Material Description
SCALE: 10:1	Approved By	Drawn By BEP	Title 3mm x 2mm PROFILE
Cad File No. DC47241	Part No. EU5xxTxxxxx	Dwg. No. DC3E4724	Rev.