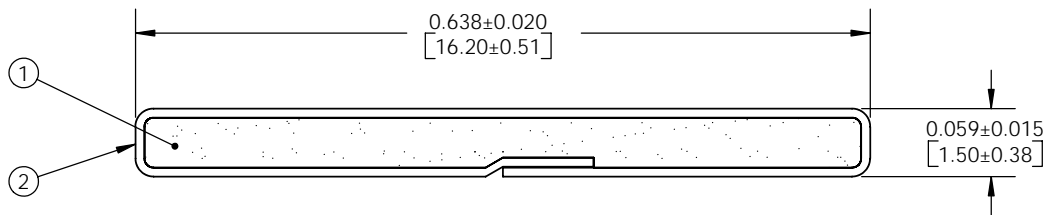
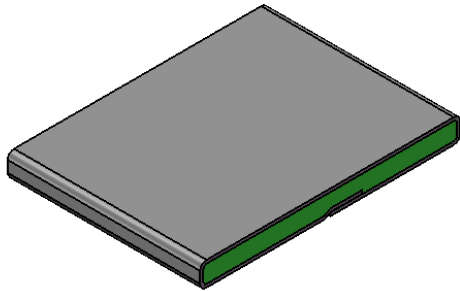


Level		Date	By
○	RELEASE	12/28/07	AMY
Ⓐ	UPDATE SHEET FORMAT	3/10/09	BEP
Ⓑ			
Ⓒ			

ROCHESTER DIVISION PRODUCT PRINT

The information disclosed in this drawing is confidential and the property of Schlegel Electronic Materials, INC. The use, disclosure, or reproduction of this information and related know-how is prohibited without written permission from Schlegel Electronic Materials, INC.



CURRENT CONFIGURATIONS	
PROFILE	DESCRIPTION
ET713	HR FOAM, NiCu C70 FABRIC
ET714	HR FOAM, NiCu C12 FABRIC
ET719	HR FOAM, Ag C2 FABRIC
ET753	BR FR FOAM, NiCu C70 FABRIC
ET754	BR FR FOAM, NiCu C12 FABRIC
ET759	BR FR FOAM, Ag C2 FABRIC
ET773	SOFT FOAM, NiCu C70 FABRIC

NOTE: Other configurations may be available at special minimum order quantities.



TOLERANCES  
 Profile thickness: ±.015" (0.38mm)  
 Profile width: ±.020" (0.51mm)

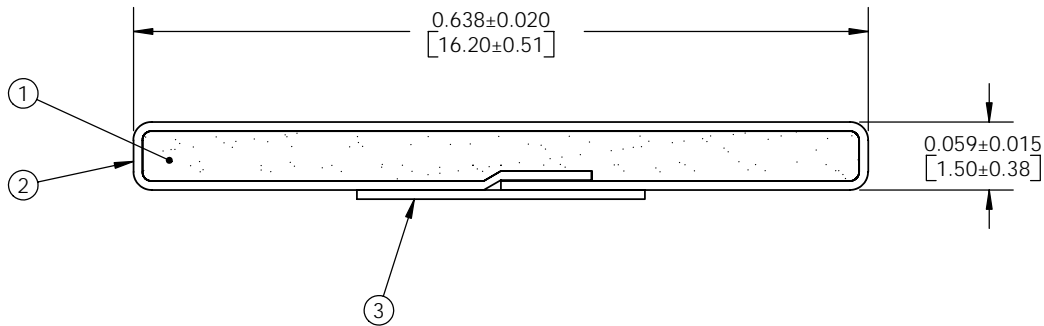
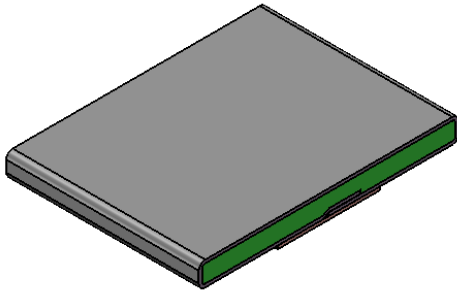


PDR NO.:	④		
QUOTE NO.:	③		
CUSTOMER NAME:	②	SEE B.O.M.	CONDUCTIVE FABRIC
CUST DWG NO.:	①	SEE B.O.M.	URETHANE FOAM
SIZE A	Date 12/28/2007	Item No.	RM Number
SHEET 1 OF 3		Material Description	
SCALE: 6:1	Approved By	Drawn By AMY	Title 1.5mm x 16.2mm EMI
Cad File No. CC85881A	Part No. ET7xxXxxxxx	Dwg. No. CC3E8588	Rev. A

Level		Date	By
○	RELEASE	12/28/07	AMY
Ⓐ	UPDATE SHEET FORMAT	3/10/09	BEP
Ⓑ			
Ⓒ			

ROCHESTER DIVISION PRODUCT PRINT

The information disclosed in this drawing is confidential and the property of Schlegel Electronic Materials, INC. The use, disclosure, or reproduction of this information and related know-how is prohibited without written permission from Schlegel Electronic Materials, INC.



CURRENT CONFIGURATIONS	
PROFILE	DESCRIPTION
ET713	HR FOAM, NiCu C70 FABRIC
ET714	HR FOAM, NiCu C12 FABRIC
ET719	HR FOAM, Ag C2 FABRIC
ET753	BR FR FOAM, NiCu C70 FABRIC
ET754	BR FR FOAM, NiCu C12 FABRIC
ET759	BR FR FOAM, Ag C2 FABRIC
ET773	SOFT FOAM, NiCu C70 FABRIC
NOTE: Other configurations may be available at special minimum order quantities.	



TOLERANCES  
 Profile thickness: ±.015" (0.38mm)  
 Profile width: ±.020" (0.51mm)

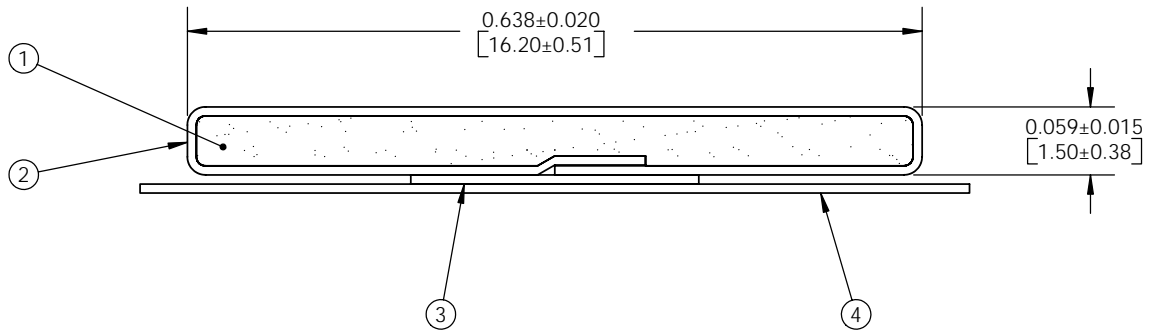
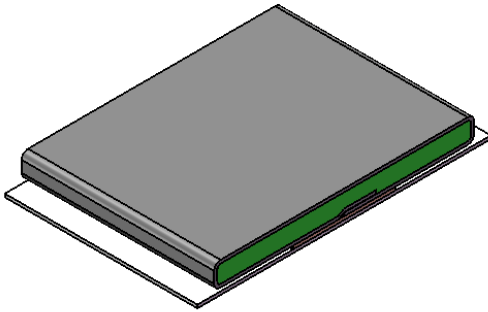


PDR NO.:	④		
QUOTE NO.:	③	SEE B.O.M.	PSA .250" WIDE (UNLESS OTHERWISE SPECIFIED)
CUSTOMER NAME:	②	SEE B.O.M.	CONDUCTIVE FABRIC
CUST DWG NO.:	①	SEE B.O.M.	URETHANE FOAM
SIZE A	Date	12/28/2007	
SHEET 2 OF 3		Item No.	RM Number
SCALE: 6:1		Approved By	Material Description
		Drawn By	AMY
		Title	1.5mm x 16.2mm EMI
Cad File No.	CC85881A	Part No.	ET7xxTxxxxx
		Dwg. No.	CC3E8588
			Rev. A

Level		Date	By
○	RELEASE	12/28/07	AMY
Ⓐ	UPDATE SHEET FORMAT	3/10/09	BEP
Ⓑ			
Ⓒ			

ROCHESTER DIVISION PRODUCT PRINT

The information disclosed in this drawing is confidential and the property of Schlegel Electronic Materials, INC. The use, disclosure, or reproduction of this information and related know-how is prohibited without written permission from Schlegel Electronic Materials, INC.



TOLERANCES  
 Profile thickness: ±.015" (0.38mm)  
 Profile width: ±.020" (0.51mm)



SCALE 1:1

CURRENT CONFIGURATIONS

PROFILE	DESCRIPTION
ET713	HR FOAM, NiCu C70 FABRIC
ET714	HR FOAM, NiCu C12 FABRIC
ET719	HR FOAM, Ag C2 FABRIC
ET753	BR FR FOAM, NiCu C70 FABRIC
ET754	BR FR FOAM, NiCu C12 FABRIC
ET759	BR FR FOAM, Ag C2 FABRIC
ET773	SOFT FOAM, NiCu C70 FABRIC

NOTE: Other configurations may be available at special minimum order quantities.

PDR NO.:	④	SEE B.O.M.	RELEASE LINER .720" WIDE (UNLESS OTHERWISE SPECIFIED)
QUOTE NO.:	③	SEE B.O.M.	PSA .250" WIDE (UNLESS OTHERWISE SPECIFIED)
CUSTOMER NAME:	②	SEE B.O.M.	CONDUCTIVE FABRIC
CUST DWG NO.:	①	SEE B.O.M.	URETHANE FOAM
SIZE <b>A</b>	Date 12/28/2007	Item No.	RM Number
SHEET 3 OF 3		Material Description	
SCALE: 6:1	Approved By	Drawn By AMY	Title 1.5mm x 16.2mm EMI
Cad File No. CC85881A	Part No. ET7xxZxxxx	Dwg. No. CC3E8588	Rev. A