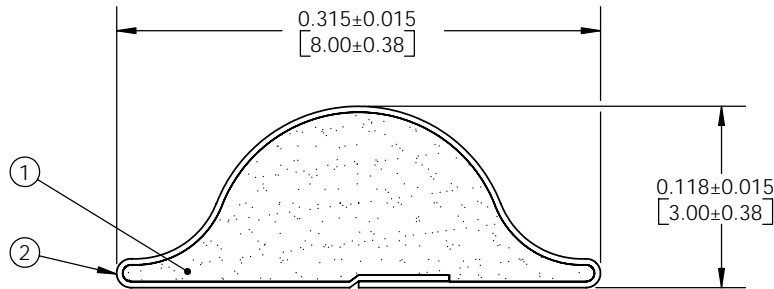
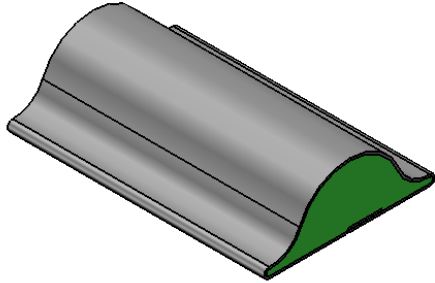


Level		Date	By
○	RELEASE	12/31/07	AMY
Ⓐ	UPDATE SHEET FORMAT	3/9/09	BEP
Ⓑ			
Ⓒ			

SEM PRODUCT PRINT

The information disclosed in this drawing is confidential and the property of Schlegel Electronic Materials, INC. The use, disclosure, or reproduction of this information and related know-how is prohibited without written permission from Schlegel Electronic Materials, INC.



THIRD ANGLE PROJECTION

TOLERANCES  
 Profile thickness: ±.015" (0.38mm)  
 Profile width: ±.015" (0.38mm)



SCALE 1:1

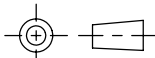
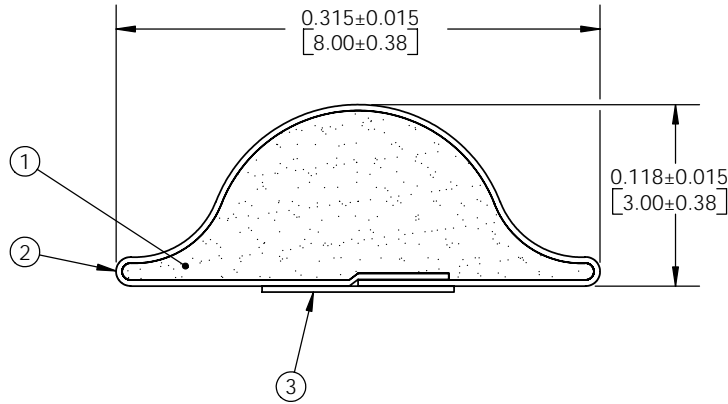
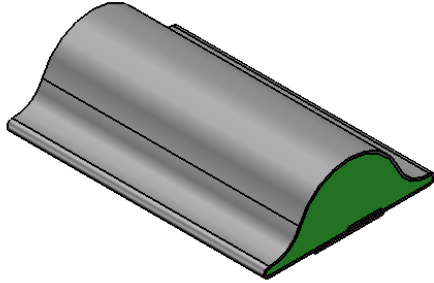
CURRENT CONFIGURATIONS	
PROFILE	DESCRIPTION
ET273	SOFT FOAM, NiCu C70 FABRIC
ET274	SOFT FOAM, NiCu C12 FABRIC
NOTE: Other configurations may be available at special minimum order quantities.	

PDR NO.:	④		
QUOTE NO.:	③		
CUSTOMER NAME:	②	SEE B.O.M.	SEE B.O.M.
CUST DWG NO.:	①	SEE B.O.M.	URETHANE FOAM
SIZE <b>A</b>	Date 12/31/2007	Item No.	Material Description
SCALE: 8:1	SHEET 1 OF 3	RM Number	
Approved By	Drawn By AMY	Title	3mm x 8mm BELL SHAPE EMI
Cad File No. DC85831A	Part No. ET2xxXxxxx	Dwg. No. CC3E8583	Rev. A

Level		Date	By
○	RELEASE	12/31/07	AMY
Ⓐ	UPDATE SHEET FORMAT	3/9/09	BEP
Ⓑ			
Ⓒ			

SEM PRODUCT PRINT

The information disclosed in this drawing is confidential and the property of Schlegel Electronic Materials, INC. The use, disclosure, or reproduction of this information and related know-how is prohibited without written permission from Schlegel Electronic Materials, INC.



THIRD ANGLE PROJECTION

TOLERANCES

Profile thickness: ±.015" (0.38mm)  
Profile width: ±.015" (0.38mm)



SCALE 1:1

CURRENT CONFIGURATIONS

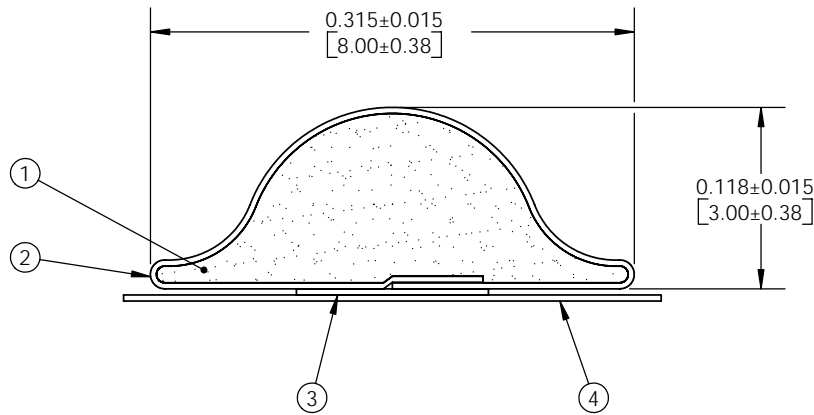
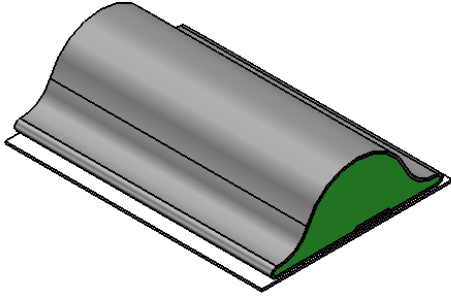
PROFILE	DESCRIPTION
ET273	SOFT FOAM, NiCu C70 FABRIC
ET274	SOFT FOAM, NiCu C12 FABRIC
NOTE: Other configurations may be available at special minimum order quantities.	

PDR NO.:	④		
QUOTE NO.:	③	SEE B.O.M.	PSA .125" WIDE (UNLESS OTHERWISE SPECIFIED)
CUSTOMER NAME:	②	SEE B.O.M.	SEE B.O.M.
CUST DWG NO.:	①	SEE B.O.M.	URETHANE FOAM
SIZE A	Date 12/31/2007	Item No.	RM Number
SHEET 2 OF 3		Material Description	
SCALE: 8:1	Approved By	Drawn By AMY	Title 3mm x 8mm BELL SHAPE EMI
Cad File No. DC85831A	Part No. ET2xxTxxxxx	Dwg. No. CC3E8583	Rev. A

Level		Date	By
○	RELEASE	12/31/07	AMY
Ⓐ	UPDATE SHEET FORMAT	3/9/09	BEP
Ⓑ			
Ⓒ			

SEM PRODUCT PRINT

The information disclosed in this drawing is confidential and the property of Schlegel Electronic Materials, INC. The use, disclosure, or reproduction of this information and related know-how is prohibited without written permission from Schlegel Electronic Materials, INC.



THIRD ANGLE PROJECTION

TOLERANCES

Profile thickness:  $\pm 0.015$ " (0.38mm)  
 Profile width:  $\pm 0.015$ " (0.38mm)



SCALE 1:1

CURRENT CONFIGURATIONS	
PROFILE	DESCRIPTION
ET273	SOFT FOAM, NiCu C70 FABRIC
ET274	SOFT FOAM, NiCu C12 FABRIC
NOTE: Other configurations may be available at special minimum order quantities.	

PDR NO.:	④	SEE B.O.M.	RELEASE LINER .350" WIDE (UNLESS OTHERWISE SPECIFIED)
QUOTE NO.:	③	SEE B.O.M.	PSA .125" WIDE (UNLESS OTHERWISE SPECIFIED)
CUSTOMER NAME:	②	SEE B.O.M.	SEE B.O.M.
CUST DWG NO.:	①	SEE B.O.M.	URETHANE FOAM
SIZE <b>A</b>	Date 12/31/2007	Item No.	Material Description
SHEET 3 OF 3		RM Number	
SCALE: 8:1	Approved By	Drawn By AMY	Title 3mm x 8mm BELL SHAPE EMI
Cad File No. DC85831A	Part No. ET2xxZxxxxx	Dwg. No. CC3E8583	Rev. A