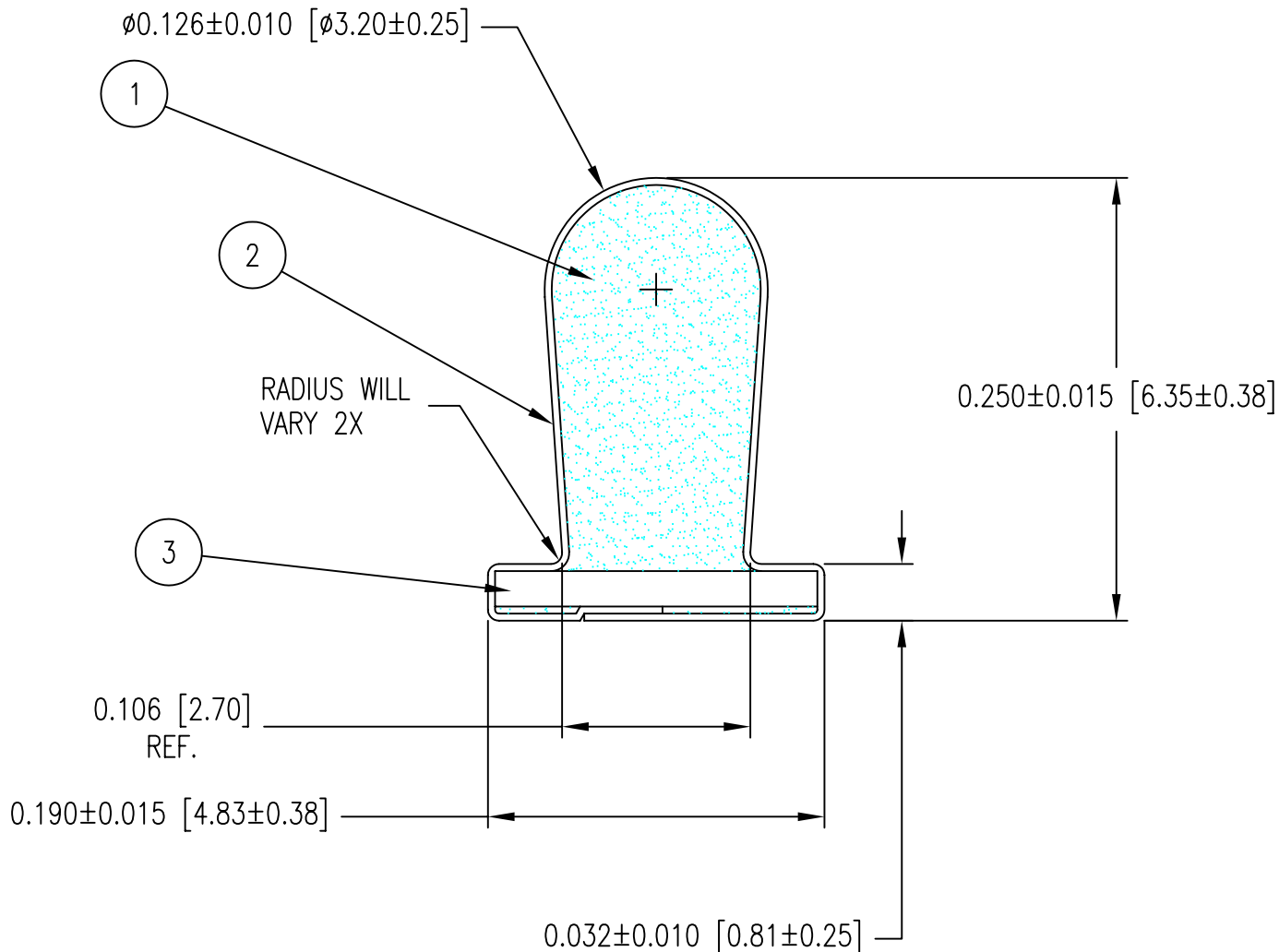


Lev	Description	Date	By
(A)			
(B)			
(C)			

The information disclosed on this drawing is confidential and the property of SEM, Inc. The use, disclosure or reproduction of this information and related knowhow is prohibited without written permission from Schlegel Electronic Materials, Inc.



PDR: 5818

SCALE 1:1

DO NOT SCALE THIS DRAWING
UNLESS PRINTER IS QUALIFIED

DE0021FM.dwg

<p>THIRD ANGLE PROJECTION</p>	(4)		
	(3)	W2904-017-3	.015 X .170 PLASTIC INSERT
	(2)	SEE B.O.M.	CONDUCTIVE FABRIC
	(1)	SEE B.O.M.	URETHANE FOAM
DECIMAL DIMENSIONS + _____ UNLESS OTHERWISE SPECIFIED mm. <input checked="" type="checkbox"/> Inch <input checked="" type="checkbox"/>		Item	Material Description
Date: 7-13-2006	Sheet 1 of 1	R.M. Number	
Drawn Scale: 10 : 1	Approved:	Drawn: JED	Title: 190 X 250 T-SLOT EMI SEAL
Cad File No. DC43581	Part No. EQ2	Dwg. No. DC3E4358	