

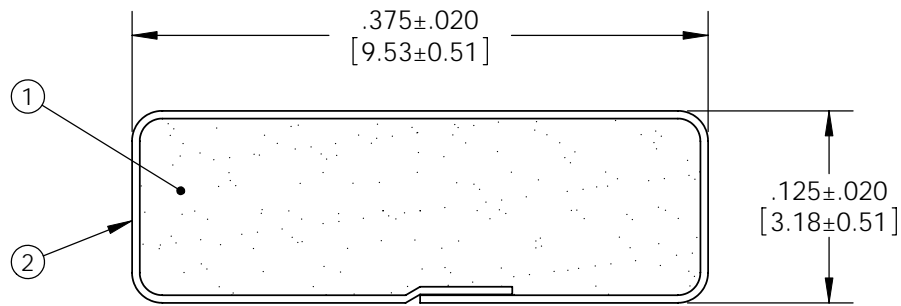
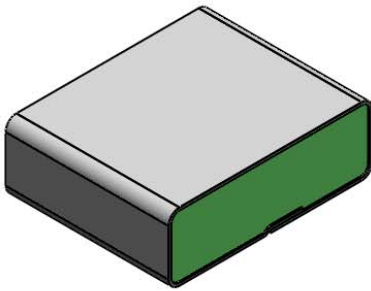


Revisions

Level		Date	By
(A)	REV TO SOLIDWORKS	2/18/10	BEP
(B)			
(C)			
(D)			

ROCHESTER DIVISION PRODUCT PRINT

The information disclosed in this drawing is confidential and the property of Schlegel Electronic Materials, INC. The use, disclosure, or reproduction of this information and related know-how is prohibited without written permission from Schlegel Electronic Materials, INC.



TOLERANCES

Profile thickness: $\pm.020$ " (0.51mm)
 Profile width: $\pm.020$ " (0.51mm)



DIMS: MILLIMETERS <input checked="" type="checkbox"/> INCHES <input checked="" type="checkbox"/>		<input checked="" type="checkbox"/>	<input checked="" type="checkbox"/>	(4)		
PDR NO.:		(3)				
CUSTOMER NAME:		(2)	SEE B.O.M.		CONDUCTIVE FABRIC	
CUST DWG NO.:		(1)	SEE B.O.M.		URETHANE FOAM	
SIZE A	Date 5/6/2006			Item No.	RM Number	Material Description
SCALE: 8:1		Approved By	Drawn By E.J.L.	Title 3.2mm x 9.5mm EMI		
Cad File No. DC43281A	Part No. EQ1xxXXXXX			Dwg. No. DC3E4328	Rev. A	

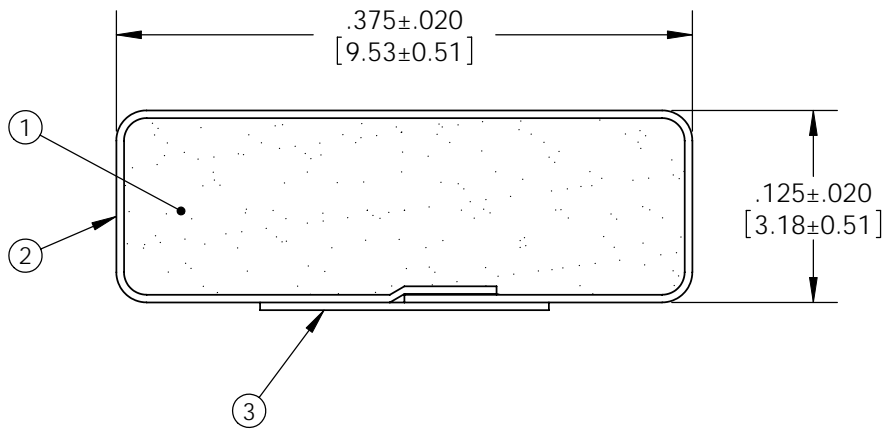
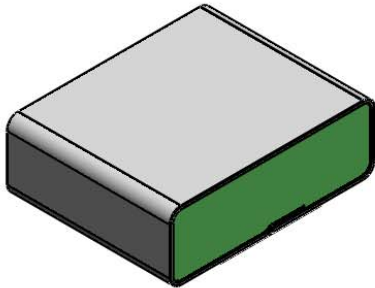


Revisions

Level		Date	By
(A)	REV TO SOLIDWORKS	2/18/10	BEP
(B)			
(C)			
(D)			

ROCHESTER DIVISION PRODUCT PRINT

The information disclosed in this drawing is confidential and the property of Schlegel Electronic Materials, INC. The use, disclosure, or reproduction of this information and related know-how is prohibited without written permission from Schlegel Electronic Materials, INC.



TOLERANCES

Profile thickness: $\pm .020$ " (0.51mm)
 Profile width: $\pm .020$ " (0.51mm)



DIMS: MILLIMETERS <input checked="" type="checkbox"/> INCHES <input checked="" type="checkbox"/>		<input checked="" type="checkbox"/> <input type="checkbox"/> <input type="checkbox"/>		(4)		
PDR NO.:		(3)		SEE B.O.M.	PSA .188" WIDE (UNLESS OTHERWISE SPECIFIED)	
CUSTOMER NAME:		(2)		SEE B.O.M.	CONDUCTIVE FABRIC	
CUST DWG NO.:		(1)		SEE B.O.M.	URETHANE FOAM	
SIZE A	Date 5/6/2006	Item No.	RM Number		Material Description	
SCALE: 8:1		Approved By	Drawn By E.J.L.		Title 3.2mm x 9.5mm EMI	
Cad File No. DC43281A	Part No. EQ1xxTxxxxx	Dwg. No. DC3E4328		Rev. A		