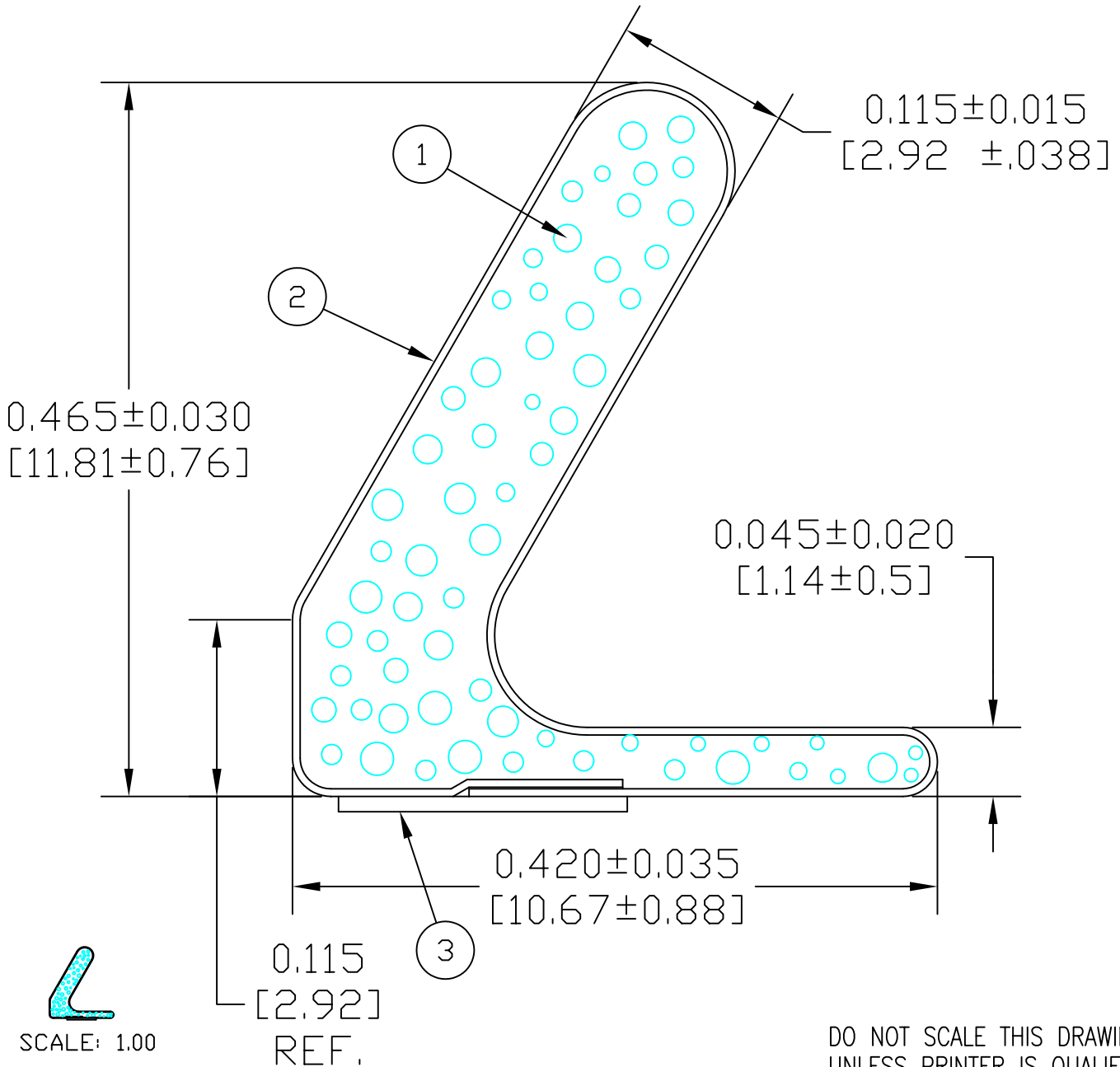




ROCHESTER DIVISION
PRODUCT PRINT

The information disclosed on this drawing is confidential and the property of Schlegel Systems, Inc. The use, disclosure, or reproduction of this information and related knowhow is prohibited without written permission from Schlegel Systems, Inc.

Revisions			
Lev	Description	Date	By
(A)			
(B)			
(C)			



DE0021FM.dwg

DECIMAL DIMENSIONS ± UNLESS OTHERWISE SPECIFIED mm. <input checked="" type="checkbox"/> Inch <input checked="" type="checkbox"/>	(4)		
	(3)	SEE B.O.M.	PRESSURE SENSITIVE ADHESIVE (UNLESS OTHERWISE SPECIFIED)
	(2)	SEE B.O.M.	CONDUCTIVE FABRIC
	(1)	SEE B.O.M.	URETHANE FOAM
Date: 5/17/2005	Sheet 1 of 1	Item	R.M. Number
Drawn Scale: 10 : 1	Approved:	Material Description	
Cad File No. DC01521	Part No. EP7	Drawn: JED	Title: 465 C-FOLD
		Dwg. No. DC3E0152	