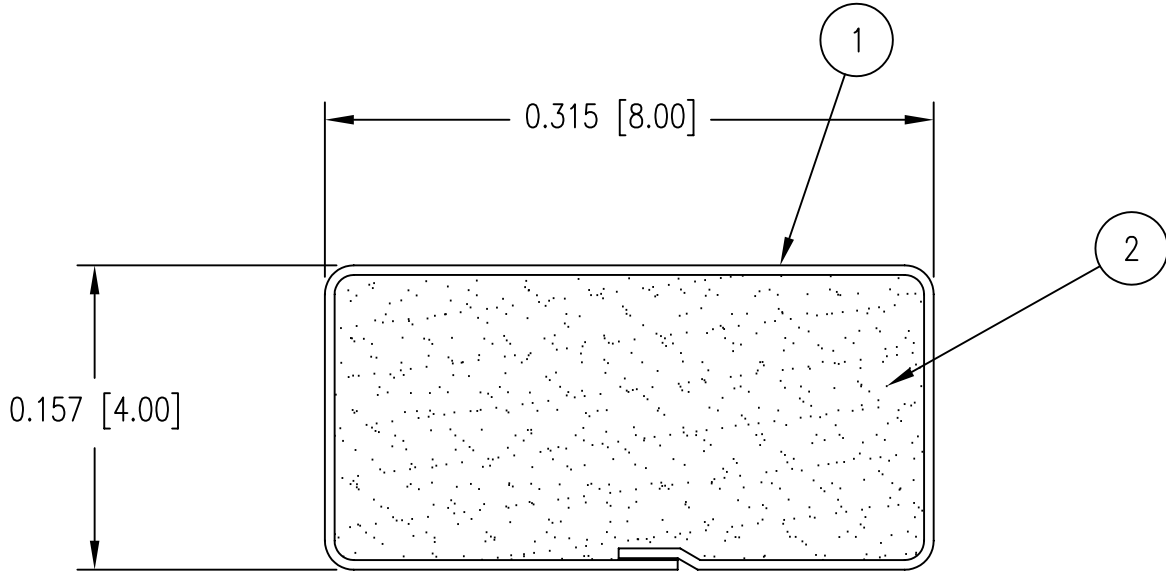




ROCHESTER DIVISION PRODUCT PRINT

The information disclosed on this drawing is confidential and the property of Schlegel Systems, Inc. The use, disclosure, or reproduction of this information and related knowhow is prohibited without written permission from Schlegel Systems, Inc.

Revisions			
Lev	Description	Date	By
(A)			
(B)			
(C)			



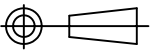
1 : 1

PDR NO.: 5542

DO NOT SCALE THIS DRAWING
UNLESS PRINTER IS QUALIFIED

DE0021FM.dwg

THIRD ANGLE PROJECTION



DECIMAL DIMENSIONS ± _____
UNLESS OTHERWISE SPECIFIED

mm. Inch

Date: 4/27/05

Sheet 1 of 2

Drawn Scale: 10 : 1
Approved:

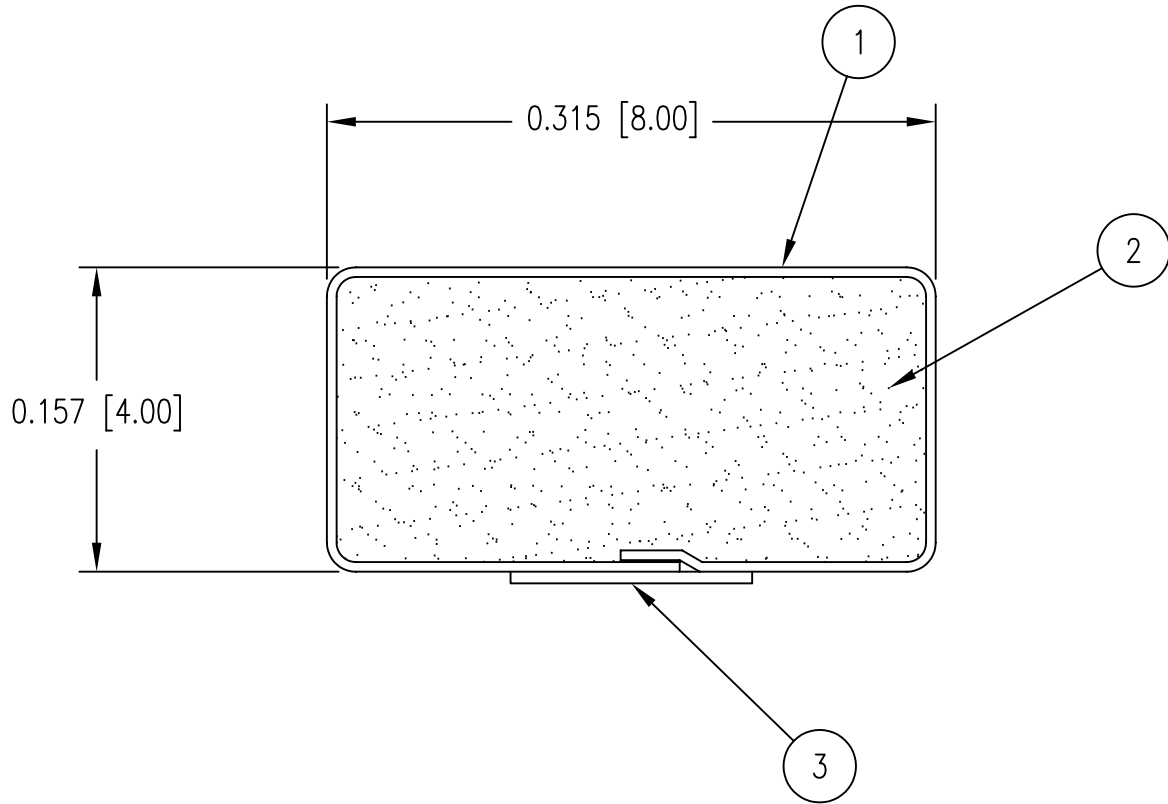
(4)		
(3)		
(2)	SEE B.O.M.	CONDUCTIVE FABRIC
(1)	SEE B.O.M.	URETHANE FOAM
Item	R.M. Number	Material Description
	Drawn: JED	Title: 4 MM × 8 MM EMI
Cad File No.	DC01391	Part No. EP6_____
	Dwg. No.	DC3E0139



ROCHESTER DIVISION PRODUCT PRINT

The information disclosed on this drawing is confidential and the property of Schlegel Systems, Inc. The use, disclosure, or reproduction of this information and related knowhow is prohibited without written permission from Schlegel Systems, Inc.

Revisions			
Lev	Description	Date	By
(A)			
(B)			
(C)			

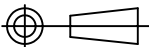


1 : 1

PDR NO.: 5542
DO NOT SCALE THIS DRAWING
UNLESS PRINTER IS QUALIFIED

DE0021FM.dwg

THIRD ANGLE PROJECTION



DECIMAL DIMENSIONS ± _____
UNLESS OTHERWISE SPECIFIED

mm. Inch

Date: 4/27/05

Sheet 1 of 2

Drawn Scale: 10 : 1

Approved:

(4)		
(3)	SEE B.O.M.	PRESSURE SENSITIVE ADHESIVE
(2)	SEE B.O.M.	CONDUCTIVE FABRIC
(1)	SEE B.O.M.	URETHANE FOAM
Item	R.M. Number	Material Description
		Title: 4 MM × 8 MM EMI
Cad File No.	DC01391	Part No. EP6__T_____
		Dwg. No. DC3E0139