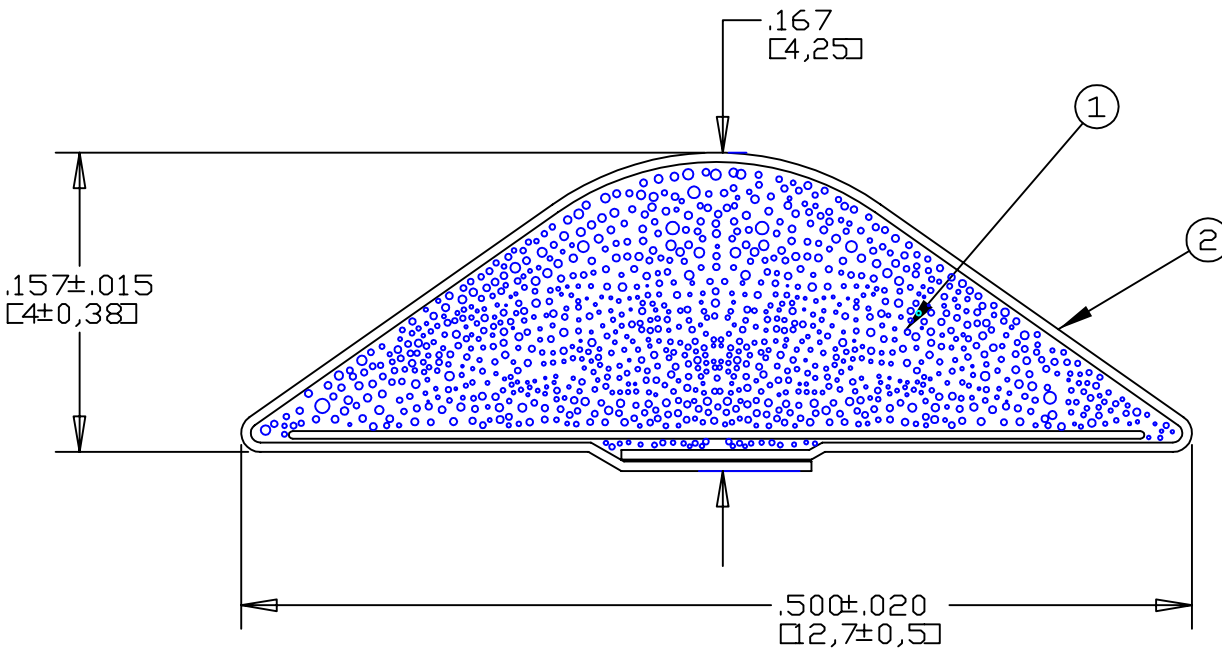




ROCHESTER DIVISION
 PRODUCT PRINT
 The information disclosed on this drawing is confidential and the property of Schlegel Systems Inc. The use, disclosure, or reproduction of this information and related knowhow is prohibited without written permission from Schlegel


REVISIONS			
LEV	DESCRIPTION	DATE	BY

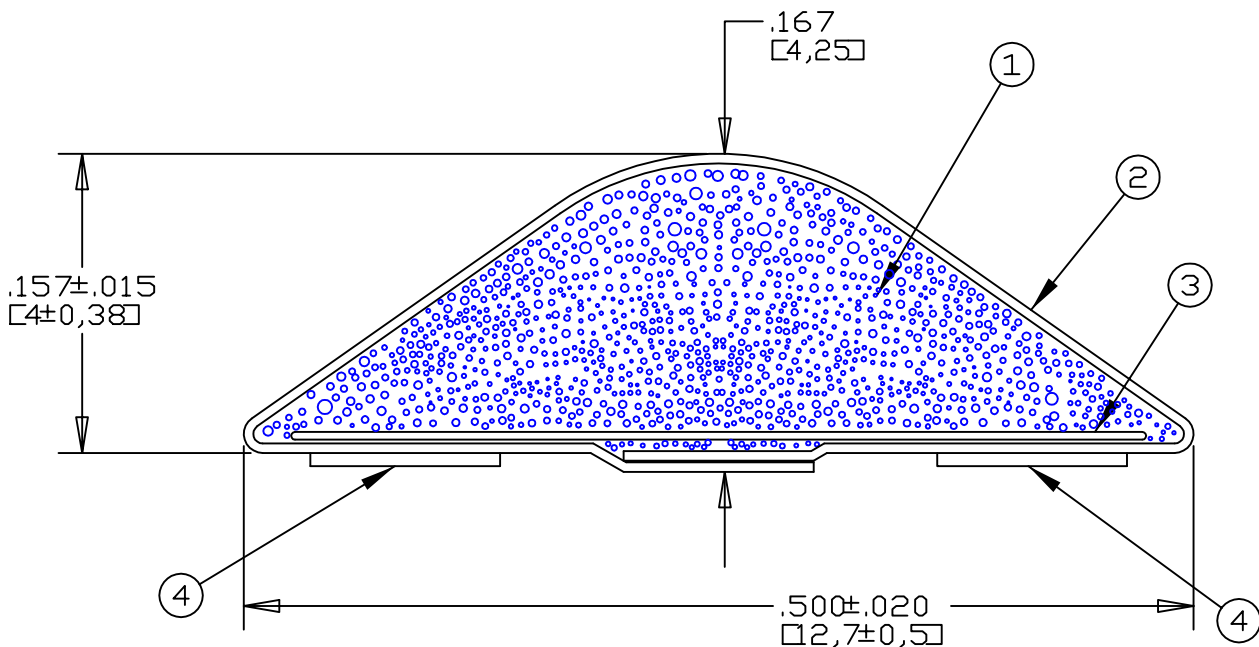


SCALE 1.000

DO NOT SCALE DRAWING

DECIMAL DIMENSIONS ± UNLESS OTHERWISE SPECIFIED mm. <input checked="" type="checkbox"/> In. <input checked="" type="checkbox"/>	3	SEE B.O.M.	SCRIM
	2	SEE B.O.M.	CONDUCTIVE FABRIC
11/21/03	1	SEE B.O.M.	URETHANE FOAM
SHEET 1 OF 2	ITEM	R. M. NUMBER	MATERIAL DESCRIPTION
DRAWING SCALE: 10.00 : 1	APPROVED:	CHECKED:	DRAWN: E.JL TITLE: D-SHAPE FLAT 4MM X 12.7MM EMI
CAD FILE NO.: UC34821	PART NO.: EM3	X	DRW. NO.: UC3E3482

	ROCHESTER DIVISION PRODUCT PRINT	REVISIONS		
	The information disclosed on this drawing is confidential and the property of Schlegel Systems Inc. The use, disclosure, or reproduction of this information and related knowhow is prohibited without written permission from Schlegel	LEV	DESCRIPTION	DATE




 SCALE 1.000

DO NOT SCALE DRAWING	4	SEE B.O.M.	PRESSURE SENSITIVE ADHESIVE .100" WIDE UNLESS OTHERWISE SPECIFIED
DECIMAL DIMENSIONS ± UNLESS OTHERWISE SPECIFIED mm. <input checked="" type="checkbox"/> In. <input checked="" type="checkbox"/>	3	SEE B.O.M.	SCRIM
11/21/03	2	SEE B.O.M.	CONDUCTIVE FABRIC
SHEET 2 OF 2	1	SEE B.O.M.	URETHANE FOAM
DRAWING SCALE: 10.00 : 1	APPROVED:	CHECKED:	DRAWN: EJL TITLE: D-SHAPE FLAT 4MM X 12.7MM EMI
CAD FILE NO.: UC34822	PART NO.: EM3	T	DRW. NO.: UC3E3482