

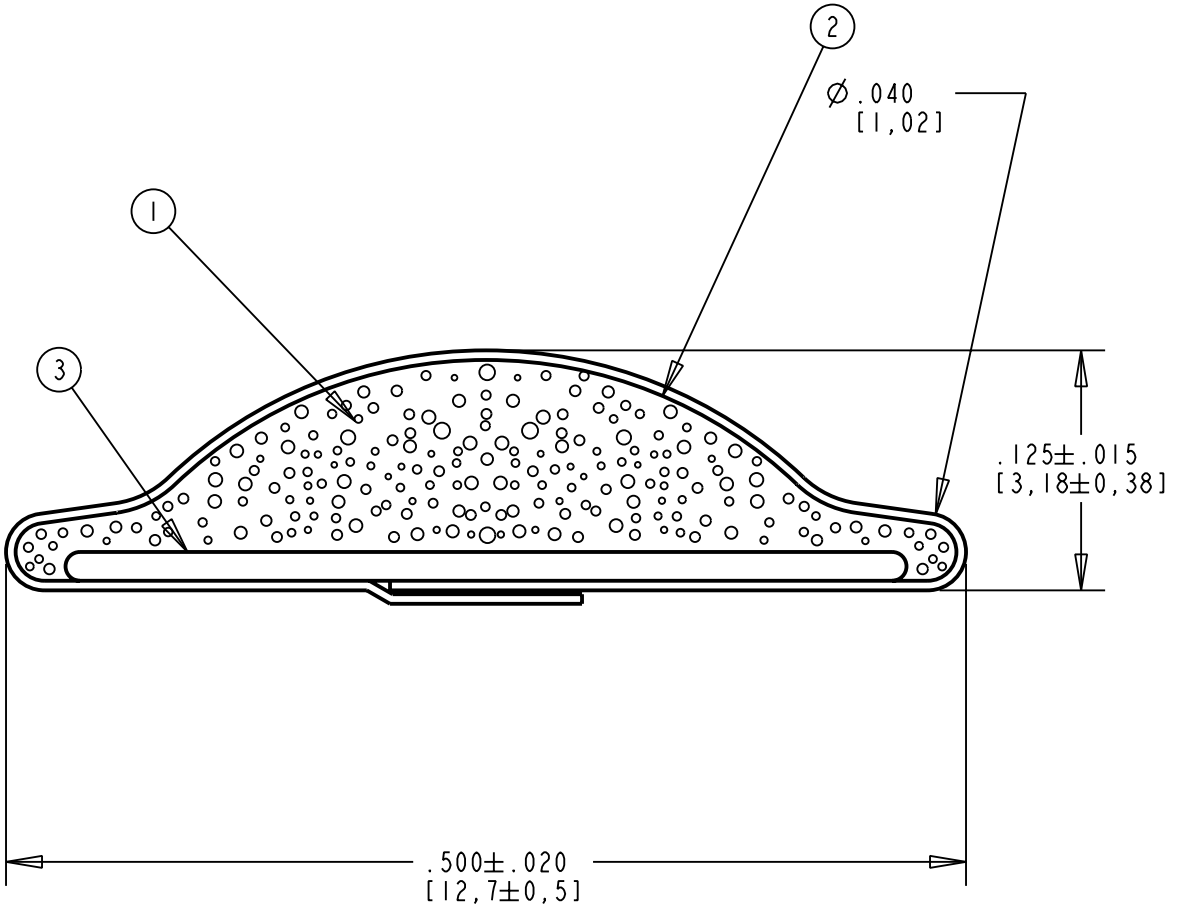
ROCHESTER DIVISION
PRODUCT PRINT

REVISIONS



The information disclosed on this drawing is confidential and the property of Schlegel Systems Inc. The use, disclosure, or reproduction of this of this information and related knowhow is prohibited without written permission from Schlegel

| LEV | DESCRIPTION | DATE | BY |
|-----|-------------------|---------|----|
| A | ADDED PART NUMBER | 5/19/03 | EL |



SCALE 1.000

IP: 4954

DO NOT SCALE DRAWING

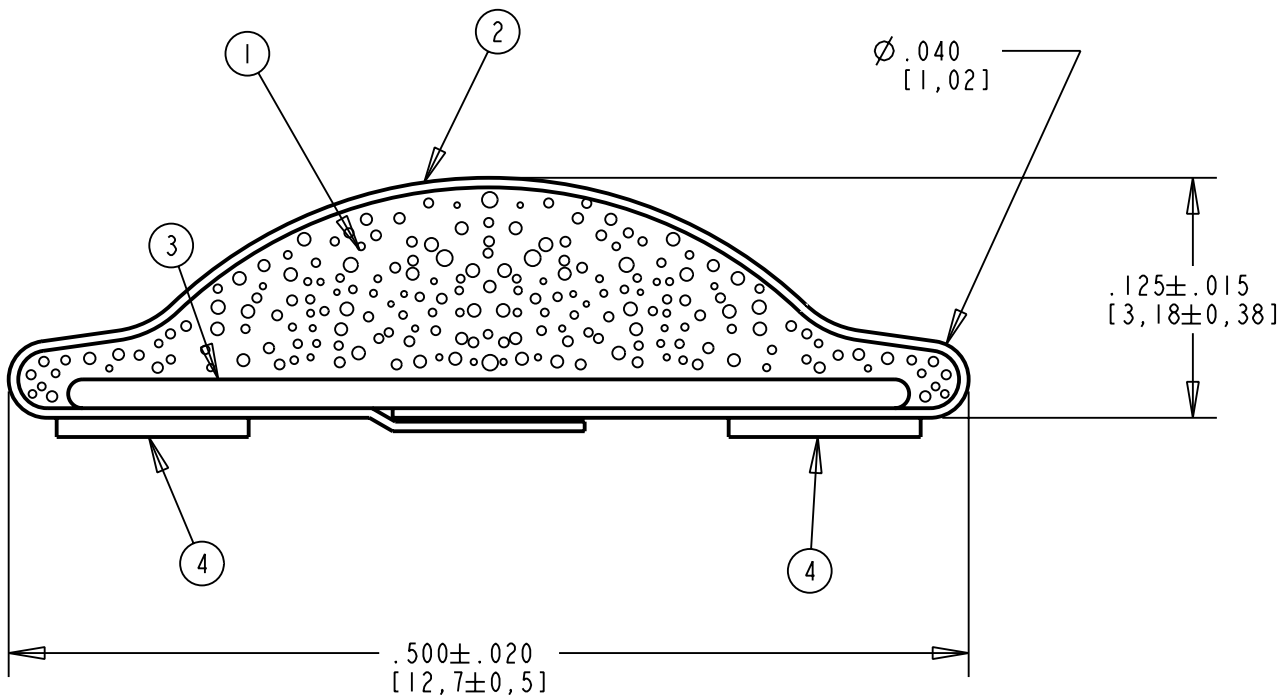
| | | | |
|---|--------------|--------------|--|
| DECIMAL DIMENSIONS ± UNLESS OTHERWISE SPECIFIED mm. ☒ In. ☒ | 3 | SEE B.O.M. | .015 X .438 INSERT |
| | 2 | SEE B.O.M. | CONDUCTIVE FABRIC |
| 4/2/03 | 1 | SEE B.O.M. | URETHANE FOAM |
| SHEET 1 OF 2 | ITEM | R. M. NUMBER | MATERIAL DESCRIPTION |
| SCALE: 10.00 : 1 | APPROVED: | CHECKED: | DRAWN: EJL |
| | | | TITLE: FLAT D-SHAPE 125 X 500 EMI SEAL |
| CAD FILE NO.: | PART NO.: | EJ5__X_____ | DRW. NO.: |
| | | | UC3E3274 |

ROCHESTER DIVISION
PRODUCT PRINT

The information disclosed on this drawing is confidential and the property of Schlegel Systems Inc. The use, disclosure, or reproduction of this information and related knowhow is prohibited without written permission from Schlegel

REVISIONS

| LEV | DESCRIPTION | DATE | BY |
|-----|-------------------|---------|----|
| A | ADDED PART NUMBER | 5/19/03 | EL |



SCALE 1.000

IP: 4954

DO NOT SCALE DRAWING

DECIMAL DIMENSIONS ±
UNLESS OTHERWISE SPECIFIED
mm. ☒ In. ☒

| | | |
|--------------------------|---------------|--|
| 4 | SEE B.O.M. | PRESSURE SENSITIVE ADHESIVE .100" WIDE UNLESS OTHERWISE SPECIFIED |
| 3 | SEE B.O.M. | .015 X .438 INSERT |
| 2 | SEE B.O.M. | CONDUCTIVE FABRIC |
| 1 | SEE B.O.M. | URETHANE FOAM |
| 4/2/03 | | |
| SHEET 2 OF 2 | ITEM | R. M. NUMBER |
| | | MATERIAL DESCRIPTION |
| DRAWING SCALE: 10.00 : 1 | APPROVED: | CHECKED: |
| | | DRAWN: EJL |
| | | TITLE: FLAT D-SHAPE 125 X 500 EMI SEAL |
| CAD FILE NO.: | PART NO.: EJ5 | DRW. NO.: UC3E3274 |