

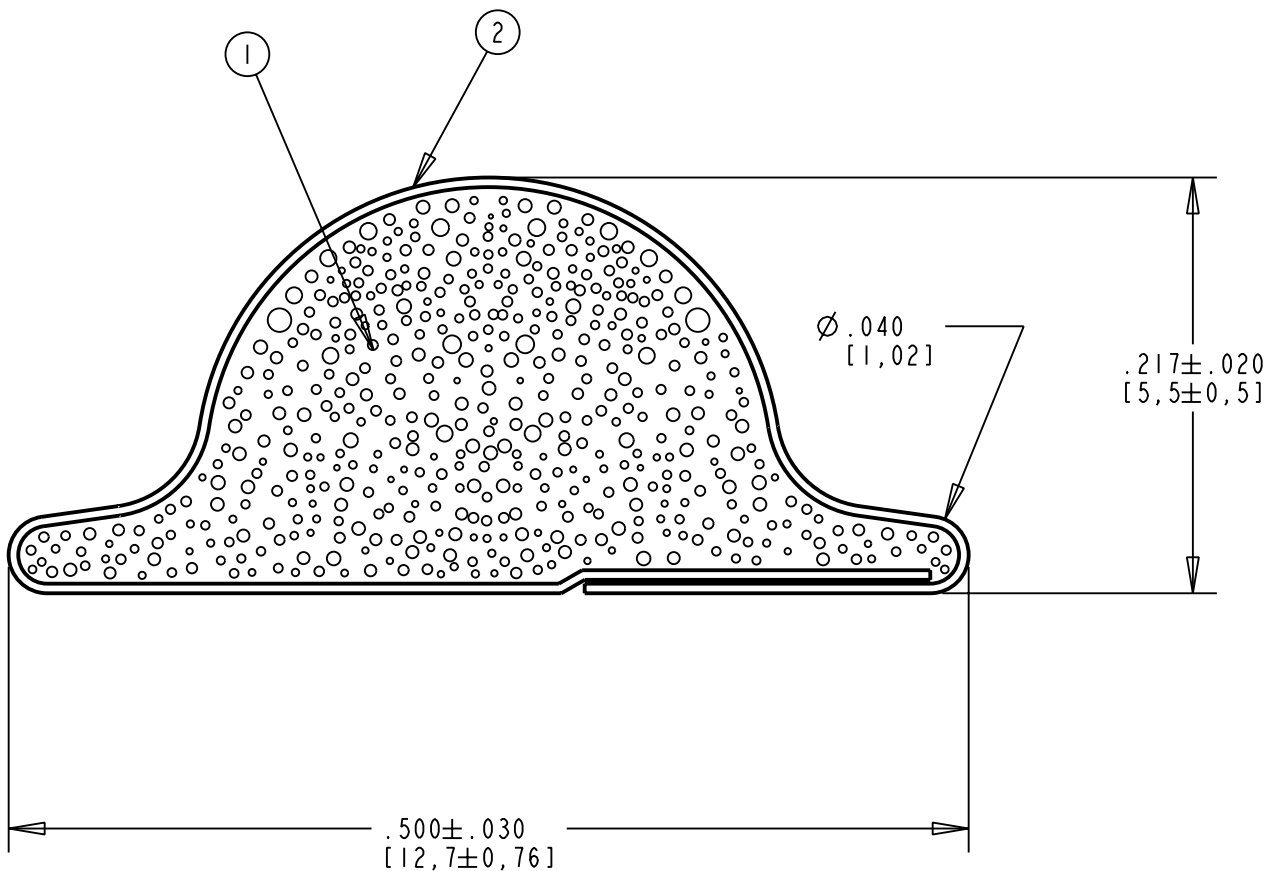
ROCHESTER DIVISION
PRODUCT PRINT

REVISIONS



The information disclosed on this drawing is confidential and the property of Schlegel Systems Inc. The use, disclosure, or reproduction of this information and related knowhow is prohibited without written permission from Schlegel

LEV	DESCRIPTION	DATE	BY
A	ADDED PROFILE NUMBER	3/31/03	EL



SCALE 1.000

IP: 4914

DO NOT SCALE DRAWING

DECIMAL DIMENSIONS ± UNLESS OTHERWISE SPECIFIED mm. <input checked="" type="checkbox"/> In. <input checked="" type="checkbox"/>	3		
	2	SEE B.O.M.	CONDUCTIVE FABRIC
	1	SEE B.O.M.	URETHANE FOAM
3/10/03			
SHEET 1 OF 2	ITEM	R. M. NUMBER	MATERIAL DESCRIPTION
DRAWING SCALE: 10.00 : 1	APPROVED:	CHECKED:	DRAWN: E J L TITLE: 12.7MM X 5.5MM WITH OUT INSERT EMI SEAL
CAD FILE NO.:	PART NO.:	E J I _ _ X _ _ _ _ _	DRW. NO.: UC3E3256

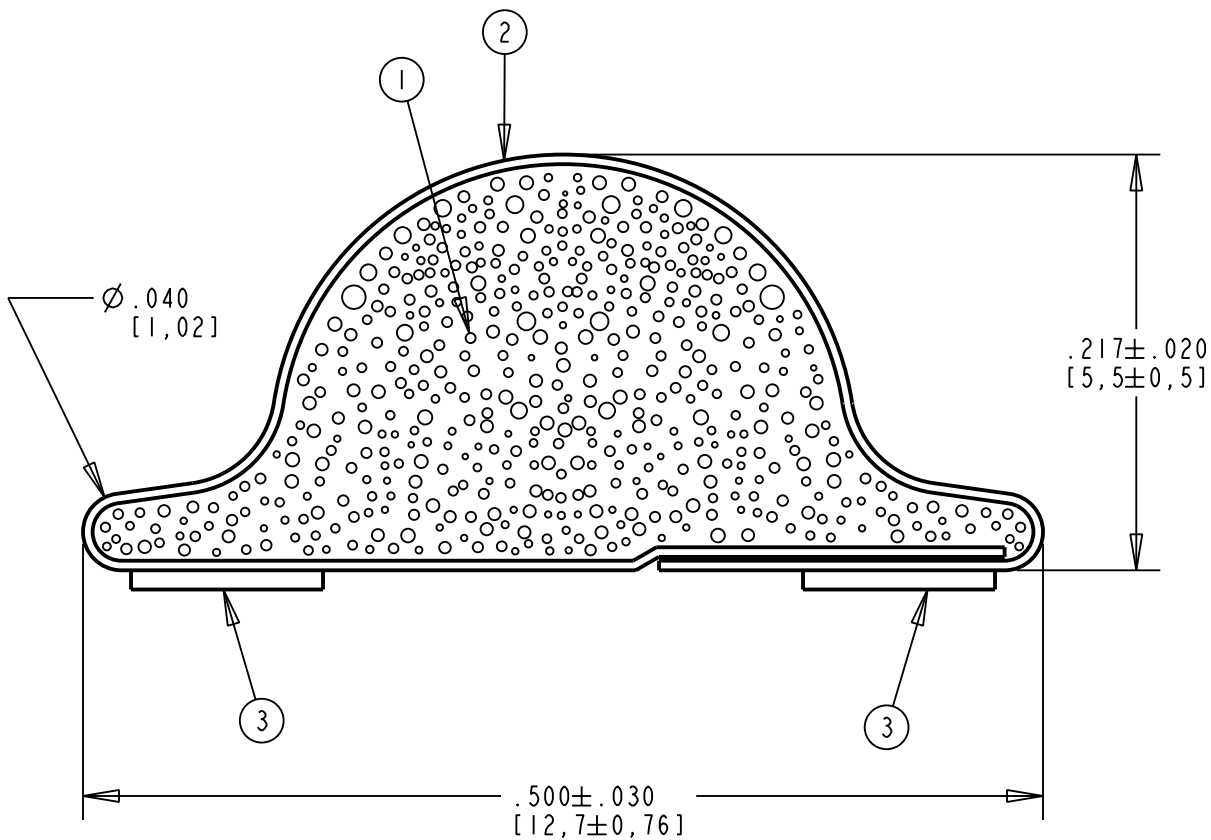
ROCHESTER DIVISION
PRODUCT PRINT

REVISIONS



The information disclosed on this drawing is confidential and the property of Schlegel Systems Inc. The use, disclosure, or reproduction of this information and related knowhow is prohibited without written permission from Schlegel

LEV	DESCRIPTION	DATE	BY
A	ADDED PROFILE NUMBER	3/31/03	EL



SCALE 1.000

IP: 4914

DO NOT SCALE DRAWING

DECIMAL DIMENSIONS ±
UNLESS OTHERWISE SPECIFIED
mm. In.

3	SEE B.O.M.	PRESSURE SENSITIVE ADHESIVE .100" WIDE UNLESS OTHERWISE SPECIFIED
2	SEE B.O.M.	CONDUCTIVE FABRIC
1	SEE B.O.M.	URETHANE FOAM
3/10/03		
SHEET 2 OF 2	ITEM	R. M. NUMBER
		MATERIAL DESCRIPTION
DRAWING SCALE: 10.00 : 1	APPROVED:	CHECKED:
		DRAWN: E J L
		TITLE: 12.7MM X 5.5MM WITH OUT INSERT EMI SEAL
CAD FILE NO.:	PART NO.:	DRW. NO.:
	E J I _ _ - _ _ _ _ _	UC3E3256