

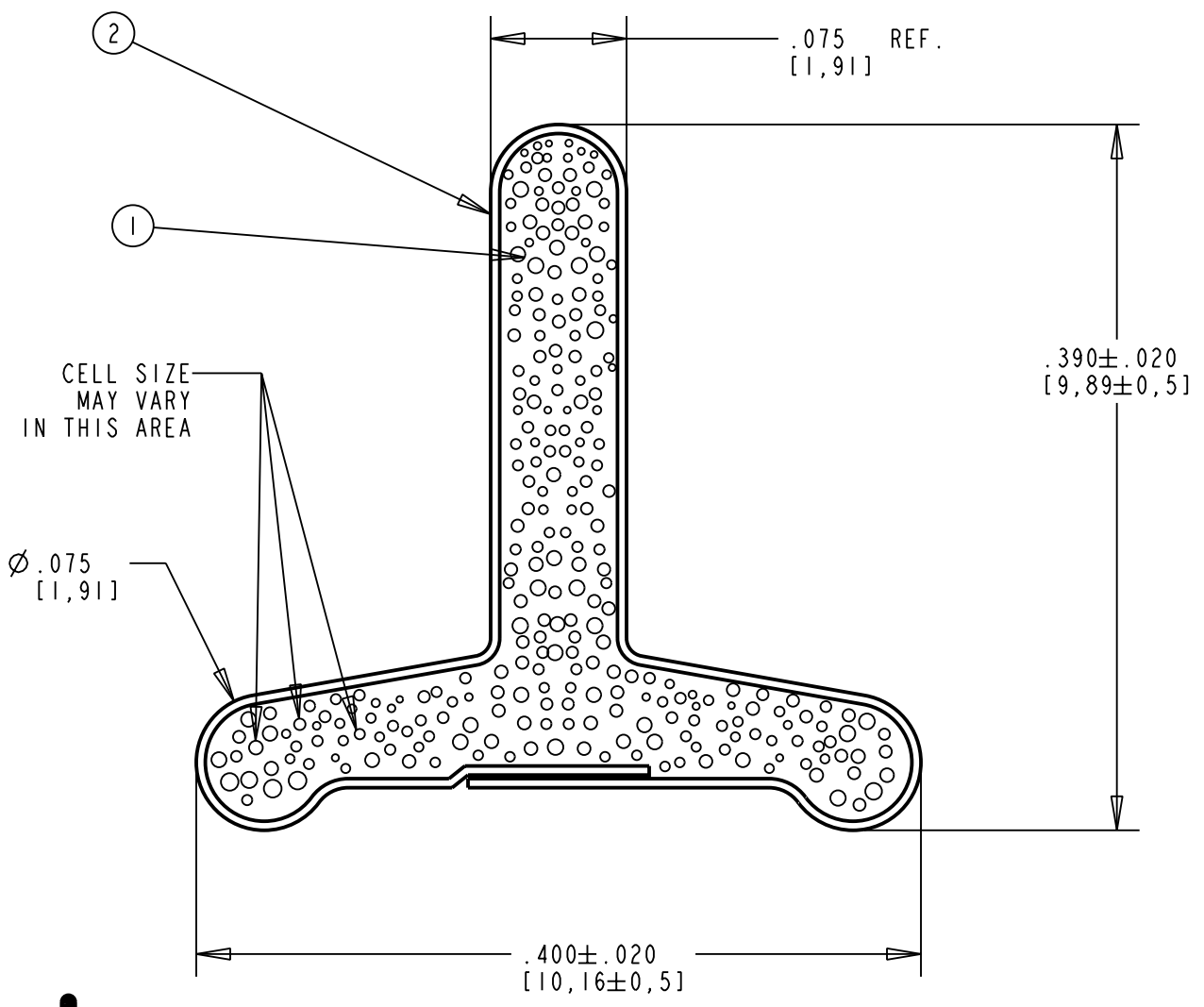
ROCHESTER DIVISION
PRODUCT PRINT

REVISIONS



The information disclosed on this drawing is confidential and the property of Schlegel Systems Inc. The use, disclosure, or reproduction of this information and related knowhow is prohibited without written permission from Schlegel

LEV	DESCRIPTION	DATE	BY
A	REV GEOMETRY	11/4/02	EL
B	REV ADHESIVE TO HIGH SHEAR	11/19/02	EL
C	ADDED PROFILE NUMBER	2/14/03	EL
D	ADDED NOTE FOR VOIDS	3/19/03	EL



SCALE 1.000

IP: 4816

DO NOT SCALE DRAWING

DECIMAL DIMENSIONS ± UNLESS OTHERWISE SPECIFIED mm. <input type="checkbox"/> In. <input type="checkbox"/>	3		
	2	SEE B.O.M.	CONDUCTIVE FABRIC
	1	SEE B.O.M.	URETHANE FOAM
10/23/02			
SHEET 1 OF 2	ITEM	R. M. NUMBER	MATERIAL DESCRIPTION
DRAWING SCALE: 10.00 : 1	APPROVED:	CHECKED:	DRAWN: EJL TITLE: T-SHAPE EMI
CAD FILE NO.:	PART NO.:	EH8__X_____	DRW. NO.: UC3E3168

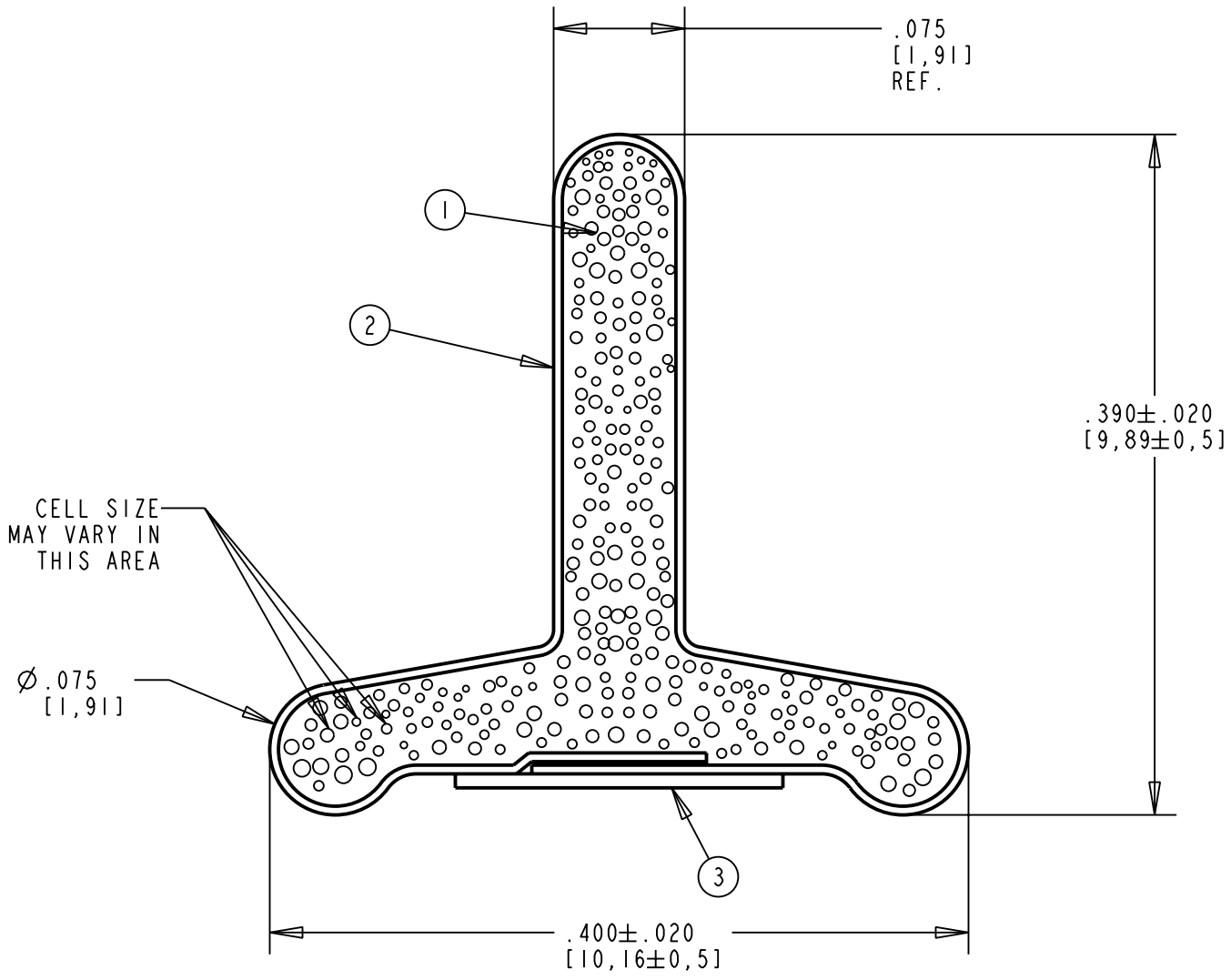
ROCHESTER DIVISION
PRODUCT PRINT

REVISIONS



The information disclosed on this drawing is confidential and the property of Schlegel Systems Inc. The use, disclosure, or reproduction of this information and related knowhow is prohibited without written permission from Schlegel

LEV	DESCRIPTION	DATE	BY
C	ADDED PROFILE NUMBER	2/14/03	EL
D	ADDED NOTE FOR RANDOM VOIDS	3/19/03	EL



SCALE 1.000

DO NOT SCALE DRAWING		3	SEE B.O.M.	PRESSURE SENSITIVE ADHESIVE .188" WIDE UNLESS OTHERWISE SPECIFIED
DECIMAL DIMENSIONS ± UNLESS OTHERWISE SPECIFIED mm. <input type="checkbox"/> In. <input type="checkbox"/>		2	SEE B.O.M.	CONDUCTIVE FABRIC
13-Feb-03		1	SEE B.O.M.	URETHANE FOAM
SHEET 2 OF 2		ITEM	R. M. NUMBER	MATERIAL DESCRIPTION
DRAWING SCALE: 10.00 : 1	APPROVED:	CHECKED:	DRAWN: E JL	TITLE: T-SHAPE EMI
CAD FILE NO.:	PART NO.:		EH8	DRW. NO.:
				UC3E3168