

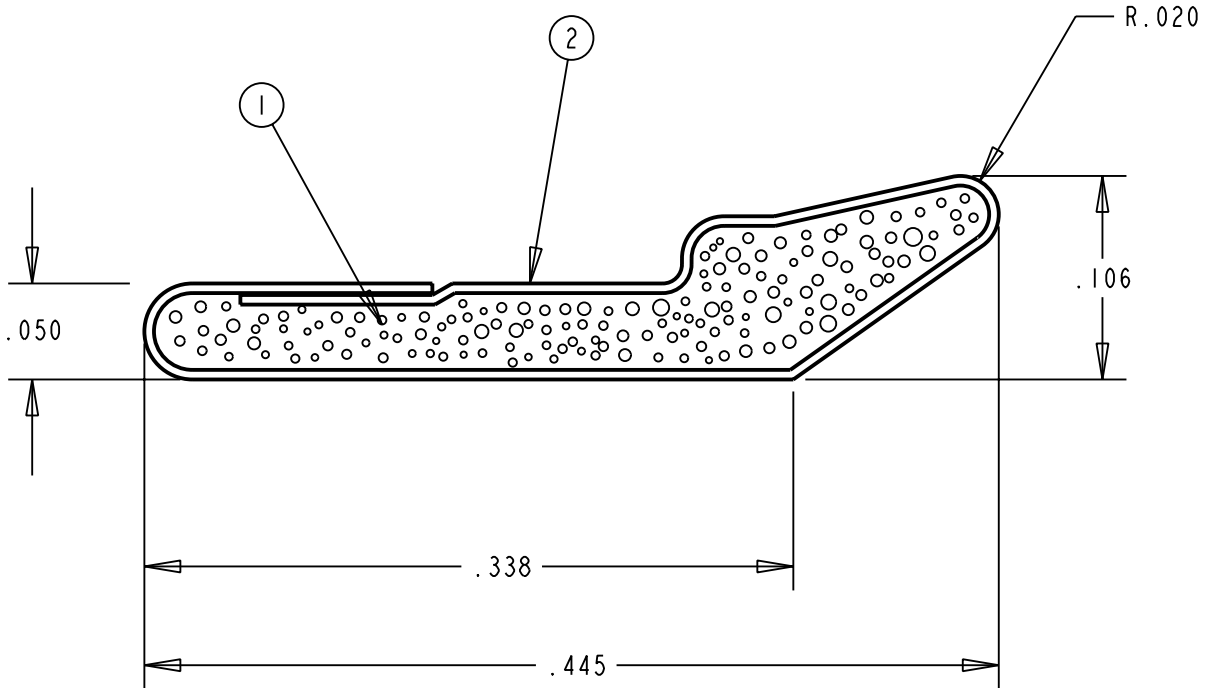
ROCHESTER DIVISION
PRODUCT PRINT

REVISIONS



The information disclosed on this drawing is confidential and the property of Schlegel Systems Inc. The use, disclosure, or reproduction of this information and related knowhow is prohibited without written permission from Schlegel

LEV	DESCRIPTION	DATE	BY
A	ADDED PART NUMBER	8/6/02	EL



SCALE 1.000

IP: 4554

DO NOT SCALE DRAWING

DECIMAL DIMENSIONS ± UNLESS OTHERWISE SPECIFIED mm. <input type="checkbox"/> In. <input type="checkbox"/>	3		
	2	SEE B.O.M.	CONDUTIVE FABRIC
28-Feb-02	1	SEE B.O.M.	URETHANE FOAM
SHEET 1 OF 2	ITEM	R. M. NUMBER	MATERIAL DESCRIPTION
DRAWING SCALE: 10.00 : 1	APPROVED:	CHECKED:	DRAWN: EJL TITLE: KNIFE EDGE III EMI
CAD FILE NO.:	PART NO.:	EH6 __ X _ _ _ _ _	DRW. NO.:
			UC3E2986

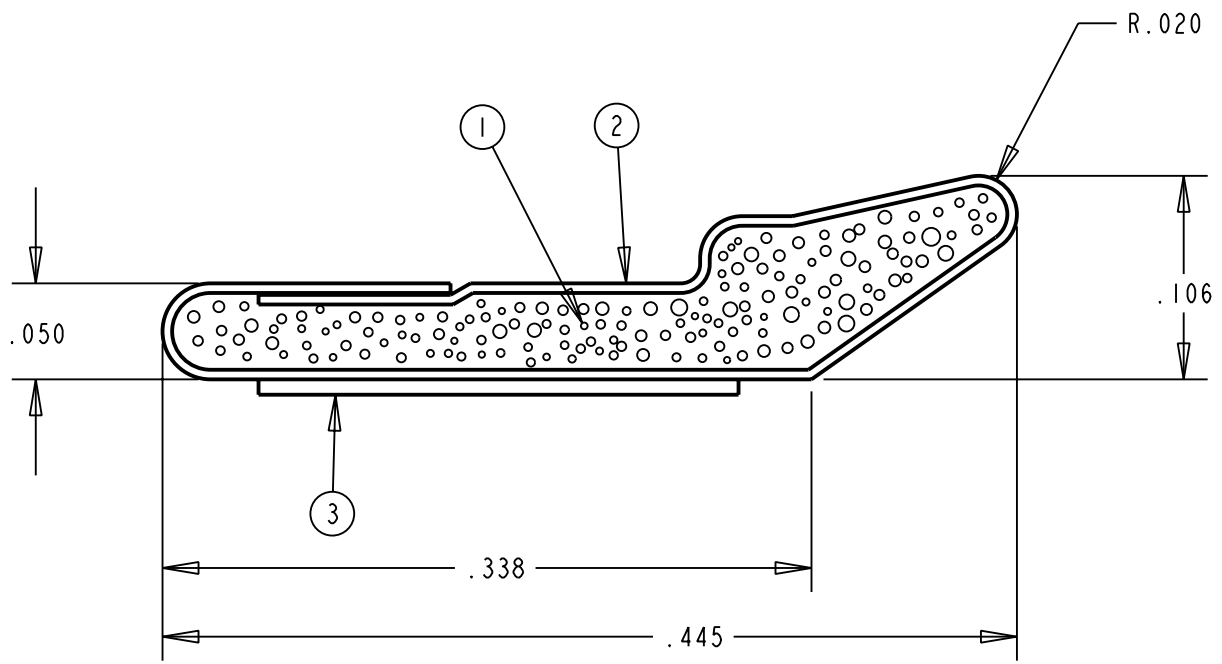
ROCHESTER DIVISION
PRODUCT PRINT

REVISIONS



The information disclosed on this drawing is confidential and the property of Schlegel Systems Inc. The use, disclosure, or reproduction of this information and related knowhow is prohibited without written permission from Schlegel

LEV	DESCRIPTION	DATE	BY
A	ADDED PART NUMBER	8/6/02	EL



IP: 4554

DO NOT SCALE DRAWING

DECIMAL DIMENSIONS ± UNLESS OTHERWISE SPECIFIED mm. <input type="checkbox"/> In. <input type="checkbox"/>	3	R2883-025-0	HIGH SHEAR PRESSURE SENSITIVE ADHESIVE .250" WIDE
	2	SEE B.O.M.	CONDUCTIVE FABRIC
	1	SEE B.O.M.	URETHANE FOAM
05-Aug-02	ITEM	R. M. NUMBER	MATERIAL DESCRIPTION
SHEET 2 OF 2			
DRAWING SCALE: 10.00 : 1	APPROVED:	CHECKED:	DRAWN: EJL TITLE: KNIFE EDGE III EMI
CAD FILE NO.:	PART NO.: EH6__BS_____	DRW. NO.:	UC3E2986