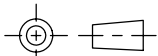
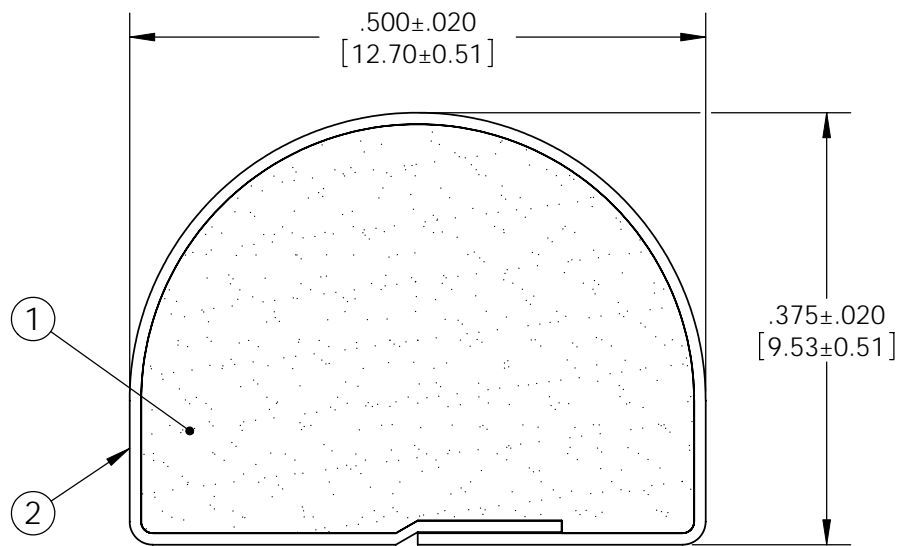
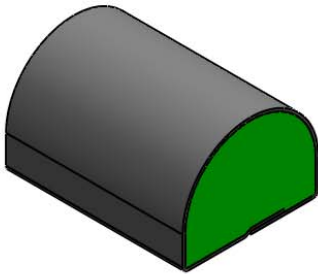


Revisions

Level		Date	By
(A)	ADDED SHEET 2	5/22/02	EL
(B)	ADDED PART NUMBER	5/31/02	EL
(C)	REV TO SOLIDWORKS	10/9/09	BEP
(D)			

ROCHESTER DIVISION PRODUCT PRINT

The information disclosed in this drawing is confidential and the property of Schlegel Electronic Materials, INC. The use, disclosure, or reproduction of this information and related know-how is prohibited without written permission from Schlegel Electronic Materials, INC.



TOLERANCES

Profile thickness: $\pm .020$ " (0.51mm)
 Profile width: $\pm .020$ " (0.51mm)



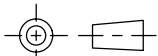
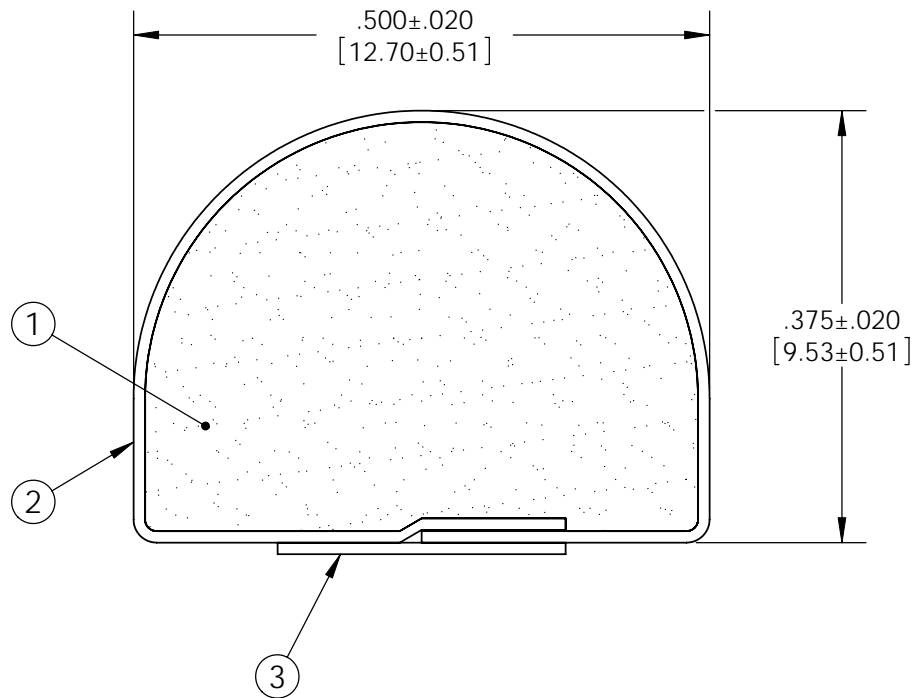
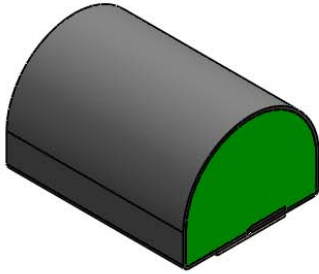
SCALE 1:1

PDR NO.:	(4)		
QUOTE NO.:	(3)		
CUSTOMER NAME:	(2)	SEE B.O.M.	CONDUCTIVE FABRIC
CUST DWG NO.:	(1)	SEE B.O.M.	URETHANE FOAM
SIZE A	Date	Item No.	RM Number
SHEET 1 OF 3		Material Description	
SCALE: 6:1	Approved By	Drawn By E.JL	Title 9.5mm x 12.7mm D-SHAPE EMI
Cad File No. UC28561C	Part No. EH5xxXxxxxx	Dwg. No. UC3E2856	Rev. C

Level		Date	By
(A)	ADDED SHEET 2	5/22/02	EL
(B)	ADDED PART NUMBER	5/31/02	EL
(C)	REV TO SOLIDWORKS	10/9/09	BEP
(D)			

ROCHESTER DIVISION PRODUCT PRINT

The information disclosed in this drawing is confidential and the property of Schlegel Electronic Materials, INC. The use, disclosure, or reproduction of this information and related know-how is prohibited without written permission from Schlegel Electronic Materials, INC.



TOLERANCES

Profile thickness: $\pm .020$ " (0.51mm)
 Profile width: $\pm .020$ " (0.51mm)



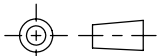
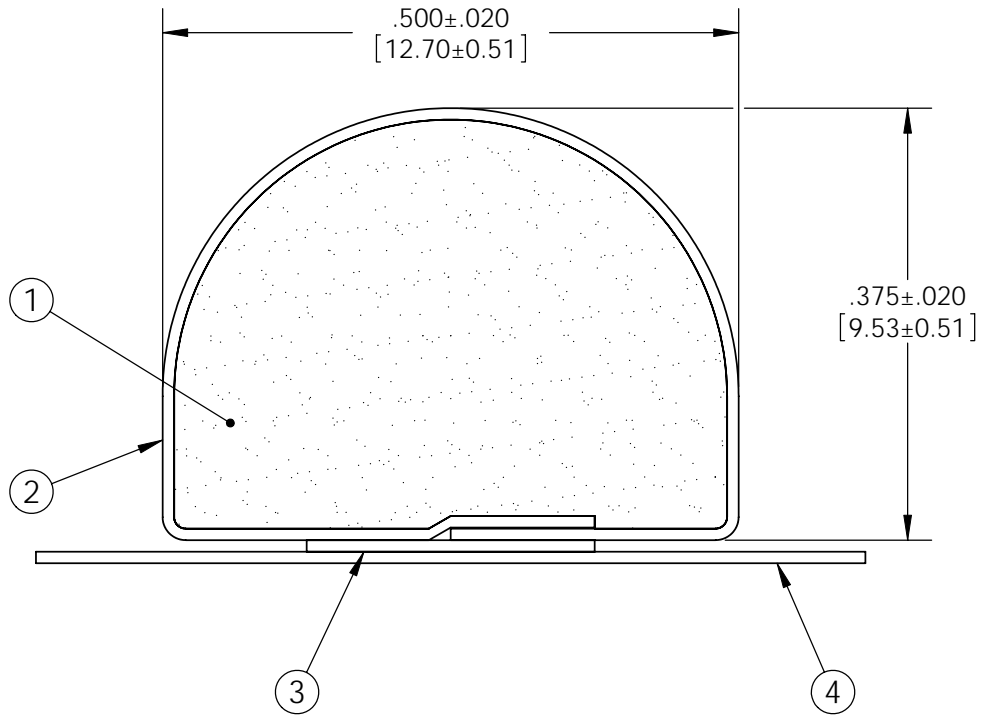
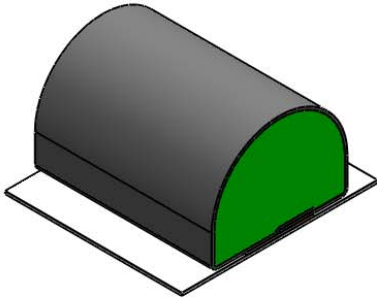
SCALE 1:1

PDR NO.:	(4)		
QUOTE NO.:	(3)	SEE B.O.M.	PSA .250" WIDE (UNLESS OTHERWISE SPECIFIED)
CUSTOMER NAME:	(2)	SEE B.O.M.	CONDUCTIVE FABRIC
CUST DWG NO.:	(1)	SEE B.O.M.	URETHANE FOAM
SIZE A	Date	Item No.	RM Number
SHEET 2 OF 3		Material Description	
SCALE: 6:1	Approved By	Drawn By EJL	Title 9.5mm x 12.7mm D-SHAPE EMI
Cad File No. UC28561C	Part No. EH5xxTxxxxx	Dwg. No. UC3E2856	Rev. C

Level		Date	By
(A)	ADDED SHEET 2	5/22/02	EL
(B)	ADDED PART NUMBER	5/31/02	EL
(C)	REV TO SOLIDWORKS	10/9/09	BEP
(D)			

ROCHESTER DIVISION PRODUCT PRINT

The information disclosed in this drawing is confidential and the property of Schlegel Electronic Materials, INC. The use, disclosure, or reproduction of this information and related know-how is prohibited without written permission from Schlegel Electronic Materials, INC.



TOLERANCES

Profile thickness: $\pm .020$ " (0.51mm)
 Profile width: $\pm .020$ " (0.51mm)



SCALE 1:1

PDR NO.:	(4)	SEE B.O.M.	RELEASE LINER .720" WIDE (UNLESS OTHERWISE SPECIFIED)
QUOTE NO.:	(3)	SEE B.O.M.	PSA .250" WIDE (UNLESS OTHERWISE SPECIFIED)
CUSTOMER NAME:	(2)	SEE B.O.M.	CONDUCTIVE FABRIC
CUST DWG NO.:	(1)	SEE B.O.M.	URETHANE FOAM
SIZE A	SHEET 3 OF 3		Material Description
SCALE: 6:1	Approved By	Drawn By E.JL	Title 9.5mm x 12.7mm D-SHAPE EMI
Cad File No. UC28561C	Part No. EH5xxZxxxxx	Dwg. No. UC3E2856	Rev. C