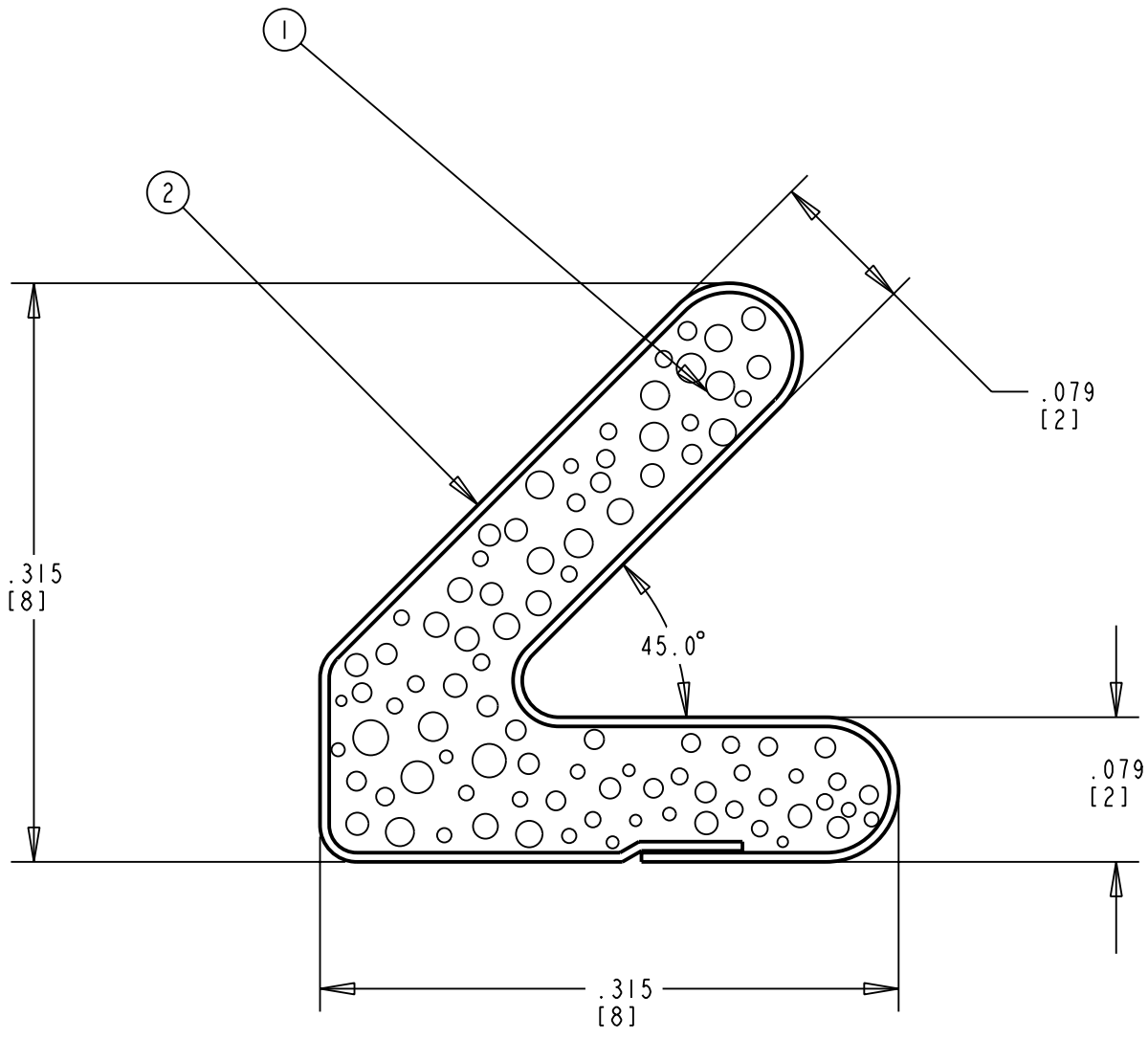


ROCHESTER DIVISION
PRODUCT PRINT

The information disclosed on this drawing is confidential and the property of Schlegel Systems Inc. The use, disclosure, or reproduction of this information and related knowhow is prohibited without written permission from Schlegel

REVISIONS

LEV	DESCRIPTION	DATE	BY
A	REV LEG AND LEAF THICKNESS	4/5/02	EL
B	ADDED PART NUMBER	4/19/02	EL



IP: 4580

DO NOT SCALE DRAWING

DECIMAL DIMENSIONS ± UNLESS OTHERWISE SPECIFIED mm. <input type="checkbox"/> In. <input type="checkbox"/>	3		
	2	SEE B.O.M.	CONDUTIVE FABRIC
	1	SEE B.O.M.	URETHANE FOAM
3/25/02			
SHEET 1 OF 2	ITEM	R. M. NUMBER	MATERIAL DESCRIPTION
DRAWING SCALE: 10.00 : 1	APPROVED:	CHECKED:	DRAWN:
			TITLE: C-FOLD .315 X .315 EMI
CAD FILE NO.:	PART NO.:	EH3__X_____	DRW. NO.: UC3E3009

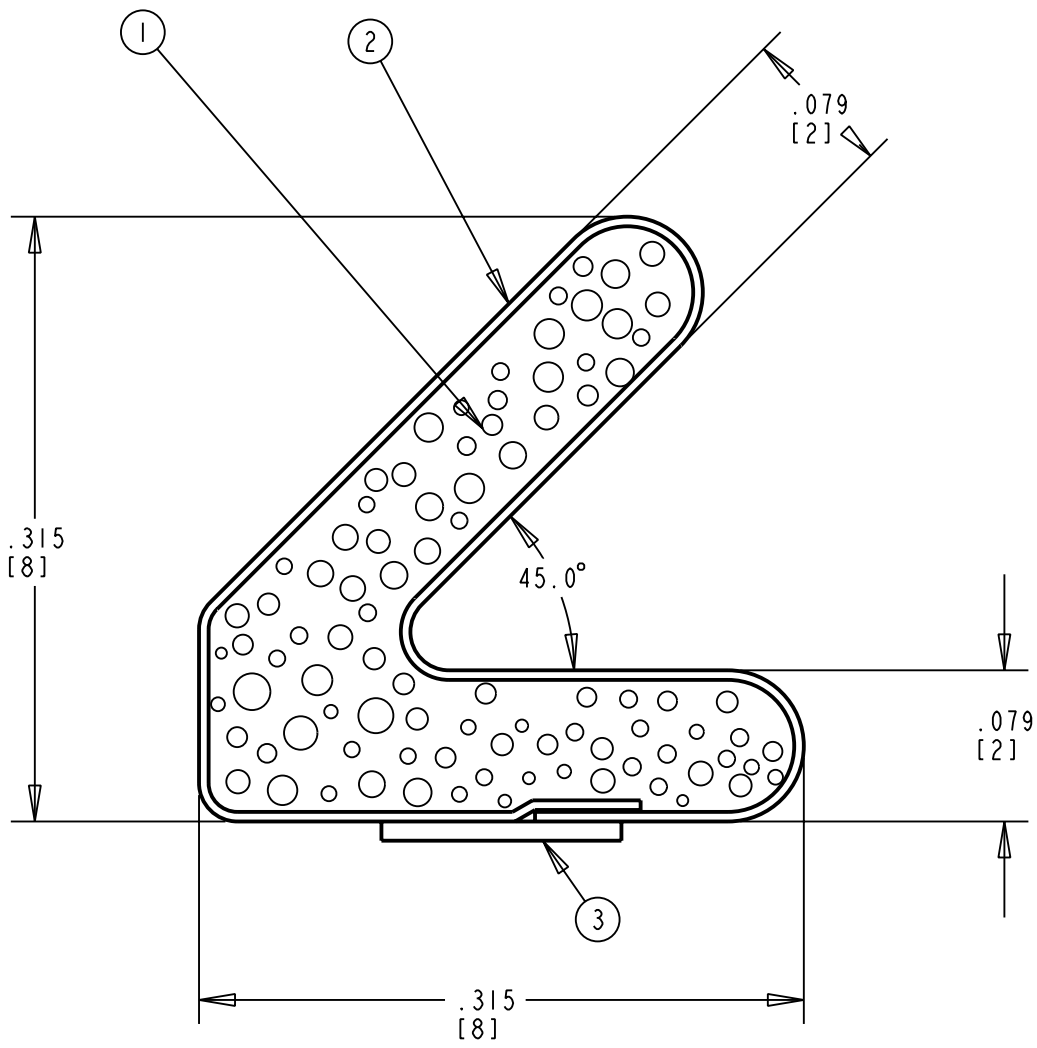
ROCHESTER DIVISION
PRODUCT PRINT

The information disclosed on this drawing is confidential and the property of Schlegel Systems Inc. The use, disclosure, or reproduction of this information and related knowhow is prohibited without written permission from Schlegel



REVISIONS

LEV	DESCRIPTION	DATE	BY
A	REV LEG AND LEAF THICKNESS	4/5/02	EL
B	ADDED PART NUMBER	4/19/02	EL



IP: 4580

DO NOT SCALE DRAWING

DECIMAL DIMENSIONS ± UNLESS OTHERWISE SPECIFIED mm. <input type="checkbox"/> In. <input type="checkbox"/>	3	R2853-013-0	PRESSURE SENSITIVE ADHESIVE .125" WIDE
	2	SEE B.O.M.	CONDUCTIVE FABRIC
25-Mar-02	1	SEE B.O.M.	URETHANE FOAM
SHEET 2 OF 2	ITEM	R. M. NUMBER	MATERIAL DESCRIPTION
DRAWING SCALE: 10.00 : 1	APPROVED:	CHECKED:	DRAWN:
			TITLE: C-FOLD .315 X .315 EMI
CAD FILE NO.:	PART NO.:	EH3__T_____	DRW. NO.: UC3E3009