

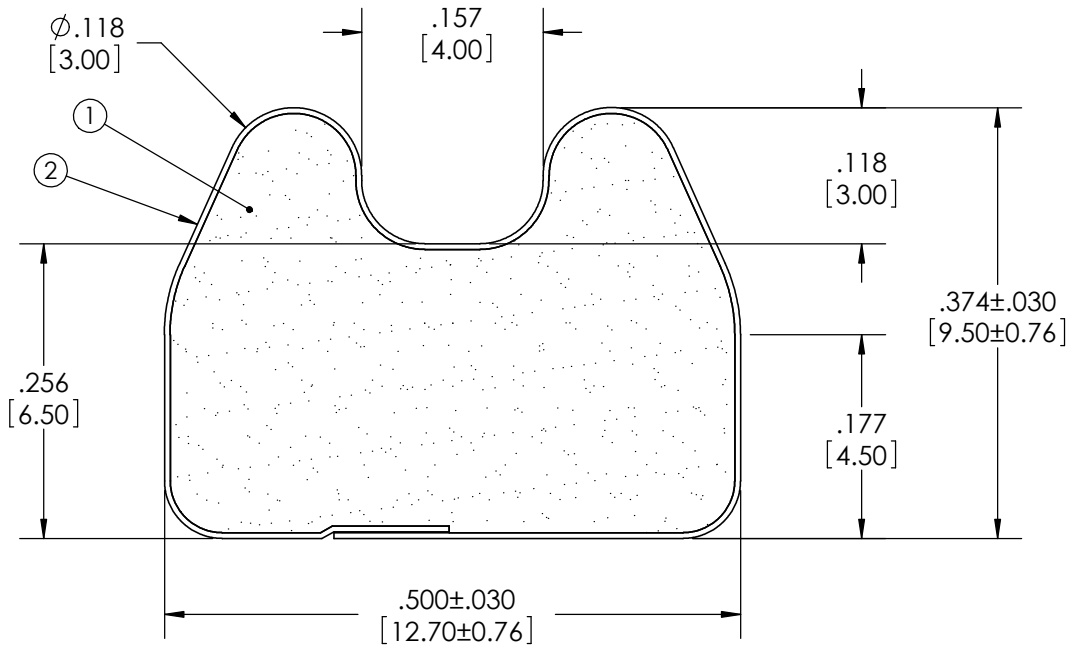
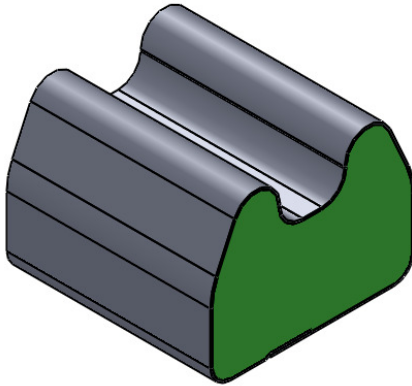
Level		Date	By
(A)	FABRIC WAS SILVER C2 RIPSTOP	9/5/01	EJL
(B)	ADDED PART NUMBER	11/12/01	EJL
(C)	REV TO SOLIDWORKS	11/4/10	BEP
(D)			

ROCHESTER DIVISION PRODUCT PRINT

The information disclosed in this drawing is confidential and the property of Schlegel Electronic Materials, INC. The use, disclosure, or reproduction of this information and related know-how is prohibited without written permission from Schlegel Electronic Materials, INC.

NOTES:

- 1) REFERENCE DIMENSIONS (REF) HAVE NO TOLERANCE AND ARE FOR INFORMATIVE PURPOSES ONLY.
- 2) FOR ALL MISSING DIMENSIONS 3D CAD FILES SHOULD BE USED.
- 3) UNLESS OTHERWISE SPECIFIED INTERPRET TOLERANCES ACCORDING TO ISO 2768C.



TOLERANCES

Profile thickness: ±.030" (0.76mm)
 Profile width: ±.030" (0.76mm)



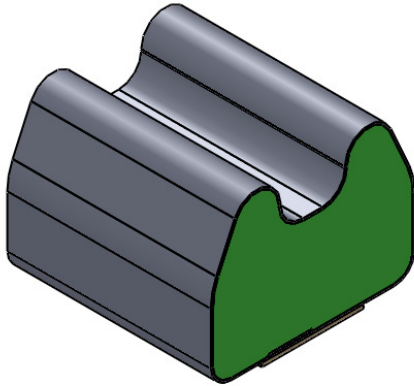
SCALE 1:1

DIMS: MILLIMETERS <input checked="" type="checkbox"/> INCHES <input checked="" type="checkbox"/>		<input checked="" type="checkbox"/> <input type="checkbox"/>		(4)		
PDR NO.:				(3)		
CUSTOMER NAME:				(2)	SEE B.O.M.	CONDUCTIVE FABRIC
CUST DWG NO.:				(1)	SEE B.O.M.	URETHANE FOAM
SIZE A	Date 11/27/2000	SHEET 1 OF 2		Item No.	RM Number	Material Description
SCALE: 6:1	Approved By	Drawn By EJL		Title 9.5mm x 12.7mm U-SHAPE EMI		
Cad File No. UC25881C	Part No. EG5	Dwg. No. UC3E2588		Rev. C		

Level		Date	By
(A)	FABRIC WAS SILVER C2 RIPSTOP	9/5/01	EJL
(B)	ADDED PART NUMBER	11/12/01	EJL
(C)	REV TO SOLIDWORKS	11/4/10	BEP
(D)			

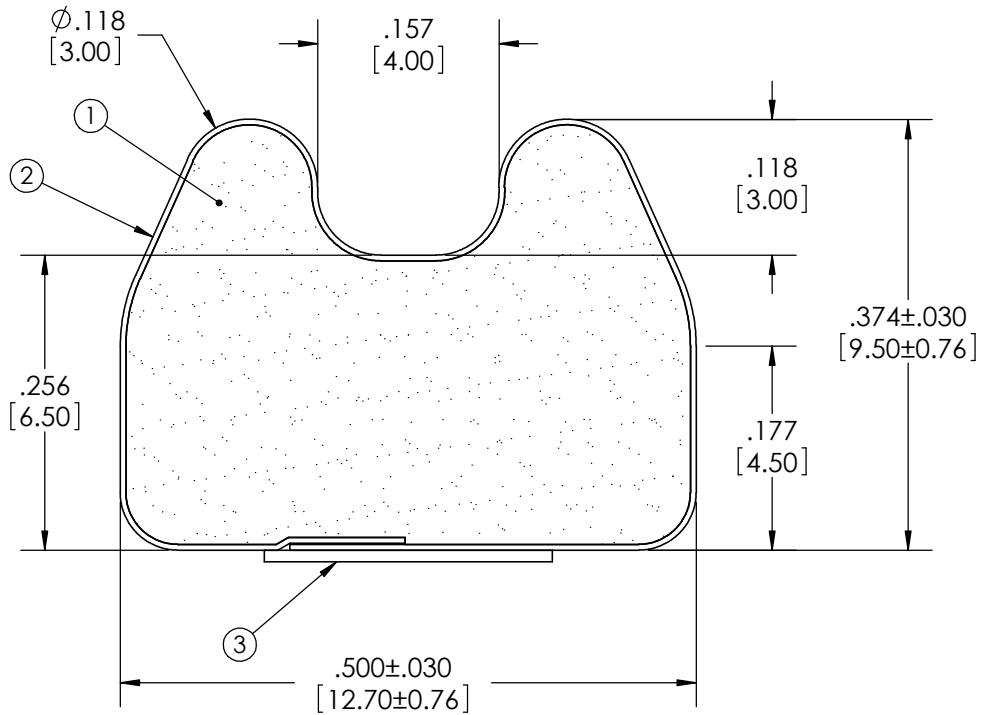
ROCHESTER DIVISION PRODUCT PRINT

The information disclosed in this drawing is confidential and the property of Schlegel Electronic Materials, INC. The use, disclosure, or reproduction of this information and related know-how is prohibited without written permission from Schlegel Electronic Materials, INC.



NOTES:

- 1) REFERENCE DIMENSIONS (REF) HAVE NO TOLERANCE AND ARE FOR INFORMATIVE PURPOSES ONLY.
- 2) FOR ALL MISSING DIMENSIONS 3D CAD FILES SHOULD BE USED.
- 3) UNLESS OTHERWISE SPECIFIED INTERPRET TOLERANCES ACCORDING TO ISO 2768C.



SCALE 1:1

TOLERANCES

Profile thickness: ±.030" (0.76mm)
 Profile width: ±.030" (0.76mm)

DIMS: MILLIMETERS <input checked="" type="checkbox"/> INCHES <input checked="" type="checkbox"/>		④	
PDR NO.:	③	SEE B.O.M.	PSA .250" WIDE (UNLESS OTHERWISE SPECIFIED)
CUSTOMER NAME:	②	SEE B.O.M.	CONDUCTIVE FABRIC
CUST DWG NO.:	①	SEE B.O.M.	URETHANE FOAM
SIZE A	Date 11/27/2000	Item No.	Material Description
SHEET 2 OF 2		RM Number	
SCALE: 6:1	Approved By	Drawn By EJL	Title 9.5mm x 12.7mm U-SHAPE EMI
Cad File No. UC25881C	Part No. EG5	Dwg. No. UC3E2588	Rev. C