

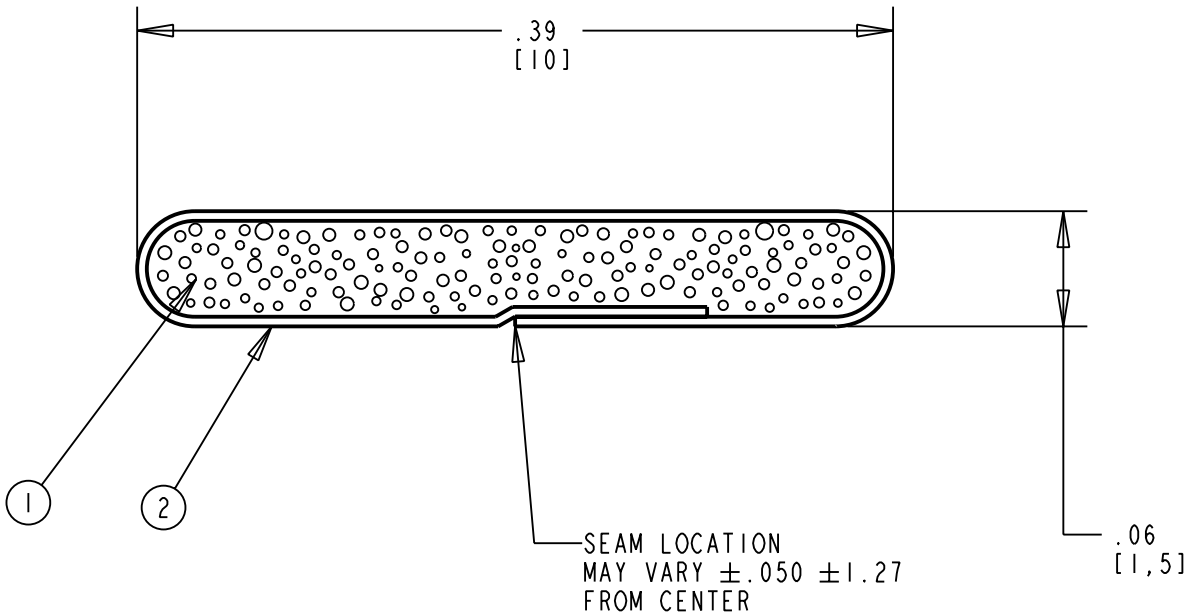
ROCHESTER DIVISION
PRODUCT PRINT

REVISIONS



The information disclosed on this drawing is confidential and the property of Schlegel Systems Inc. The use, disclosure, or reproduction of this information and related knowhow is prohibited without written permission from Schlegel

LEV	DESCRIPTION	DATE	BY



DO NOT SCALE DRAWING

DECIMAL DIMENSIONS ± UNLESS OTHERWISE SPECIFIED mm. <input type="checkbox"/> In. <input type="checkbox"/>	3		
	2	SEE B.O.M.	CONDUCTIVE FABRIC
8/16/02	1	SEE B.O.M.	URETHANE FOAM
SHEET 1 OF 2	ITEM	R. M. NUMBER	MATERIAL DESCRIPTION
DRAWING SCALE: 10.00 : 1	APPROVED:	CHECKED:	DRAWN: EJL TITLE: 1.5MM X 10MM EMI
CAD FILE NO.:	PART NO.:	EG2__X_____	DRW. NO.: UP3E1677

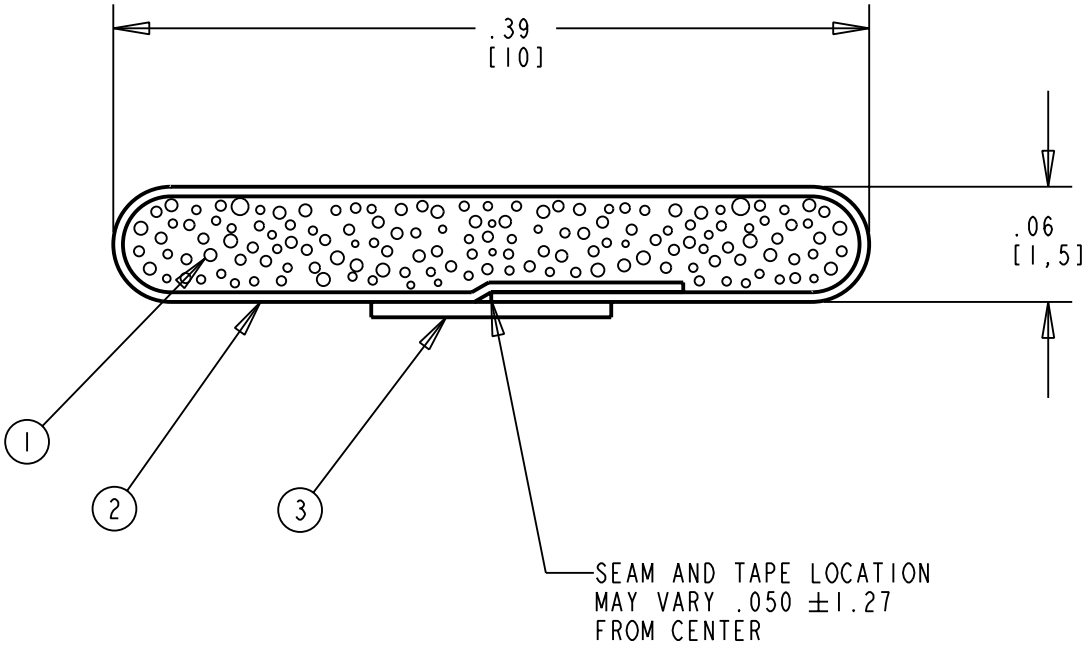
ROCHESTER DIVISION
PRODUCT PRINT

REVISIONS



The information disclosed on this drawing is confidential and the property of Schlegel Systems Inc. The use, disclosure, or reproduction of this information and related knowhow is prohibited without written permission from Schlegel

LEV	DESCRIPTION	DATE	BY



DO NOT SCALE DRAWING

DECIMAL DIMENSIONS ± UNLESS OTHERWISE SPECIFIED mm. <input type="checkbox"/> In. <input type="checkbox"/>	3	R2855-013-6	3M 950 ADHESIVE .125" WIDE
8/16/02	2	SEE B.O.M.	CONDUCTIVE FABRIC
SHEET 2 OF 2	1	SEE B.O.M.	URETHANE FOAM
DRAWING SCALE: 10.00 : 1	APPROVED:	CHECKED:	DRAWN: EJL
CAD FILE NO.:	PART NO.:	EG2__T_____	TITLE: 1.5MM X 10MM EMI
	DRW. NO.:	UP3E1677	DE0013FM