

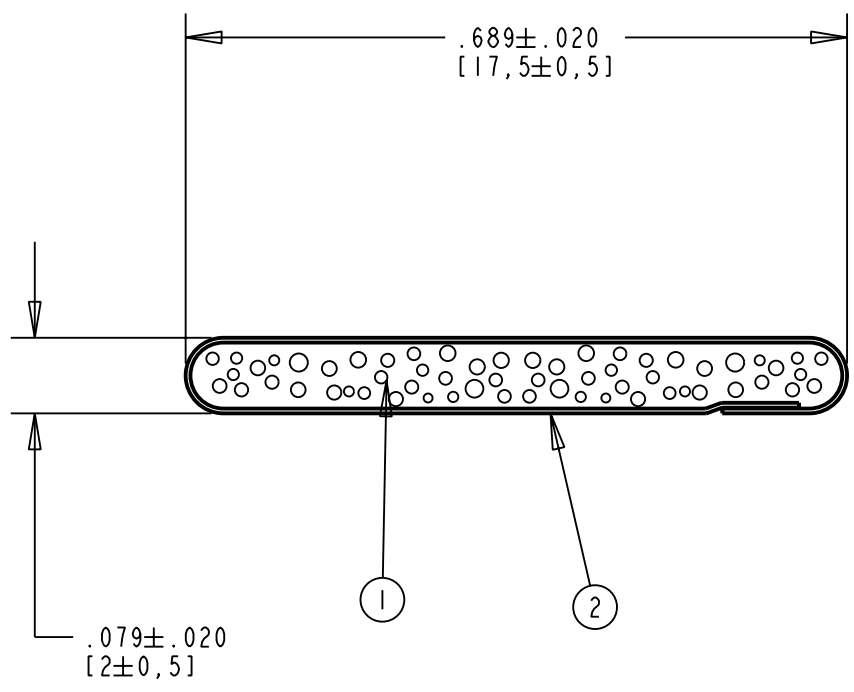


ROCHESTER DIVISION
PRODUCT PRINT

The information disclosed on this drawing is confidential and the property of Schlegel Systems Inc. The use, disclosure, or reproduction of this information and related knowhow is prohibited without written permission from Schlegel

REVISIONS

LEV	DESCRIPTION	DATE	BY
A	ADDED PROFILE NUMBER	3/22/01	EL



IP: 3587

DO NOT SCALE DRAWING

DECIMAL DIMENSIONS ± UNLESS OTHERWISE SPECIFIED mm. <input type="checkbox"/> In. <input type="checkbox"/>	3		
	2	SEE B.O.M.	CONDUCTIVE FABRIC
	1	SEE B.O.M.	URETHANE FOAM
12/7/99			
SHEET 1 OF 1	ITEM	R. M. NUMBER	MATERIAL DESCRIPTION
DRAWING SCALE: 5.00 : 1	APPROVED:	CHECKED:	DRAWN: E.JL TITLE: 2MM X 17.5MM EMI
CAD FILE NO.:	PART NO.:	ED3__X_____	DRW. NO.:
			UC3E2226