

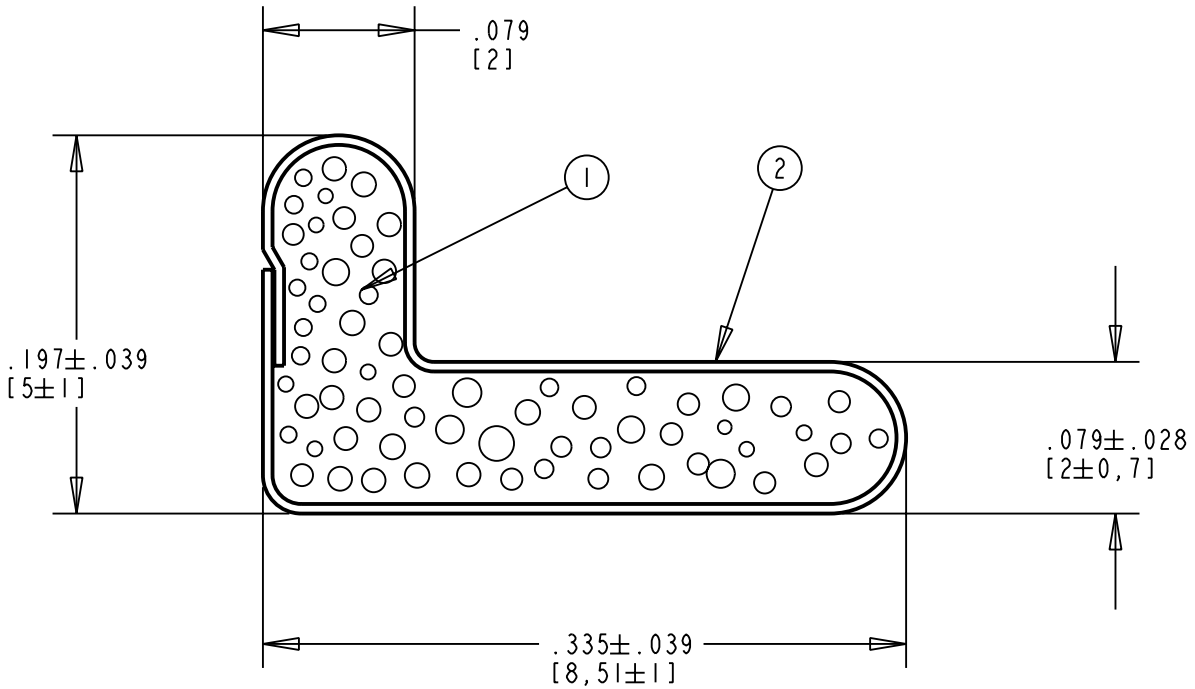
ROCHESTER DIVISION  
PRODUCT PRINT

REVISIONS



The information disclosed on this drawing is confidential and the property of Schlegel Systems Inc. The use, disclosure, or reproduction of this information and related knowhow is prohibited without written permission from Schlegel

LEV	DESCRIPTION	DATE	BY
A	ADDED PROFILE NUMBER	3/22/01	EL



IP: 4015

DO NOT SCALE DRAWING

DECIMAL DIMENSIONS ± UNLESS OTHERWISE SPECIFIED mm. <input type="checkbox"/> In. <input type="checkbox"/>	3		
	2	SEE B.O.M.	CONDUCTIVE FABRIC
	1	SEE B.O.M.	URETHANE FOAM
22-Mar-01			
SHEET 1 OF 2	ITEM	R. M. NUMBER	MATERIAL DESCRIPTION
DRAWING SCALE: 10.00 : 1	APPROVED:	CHECKED:	DRAWN: EJL TITLE: 5MM X 8.5MM L-SHAPE EMI
CAD FILE NO.:	PART NO.:	ED2__X_____	DRW. NO.: UC3E2600

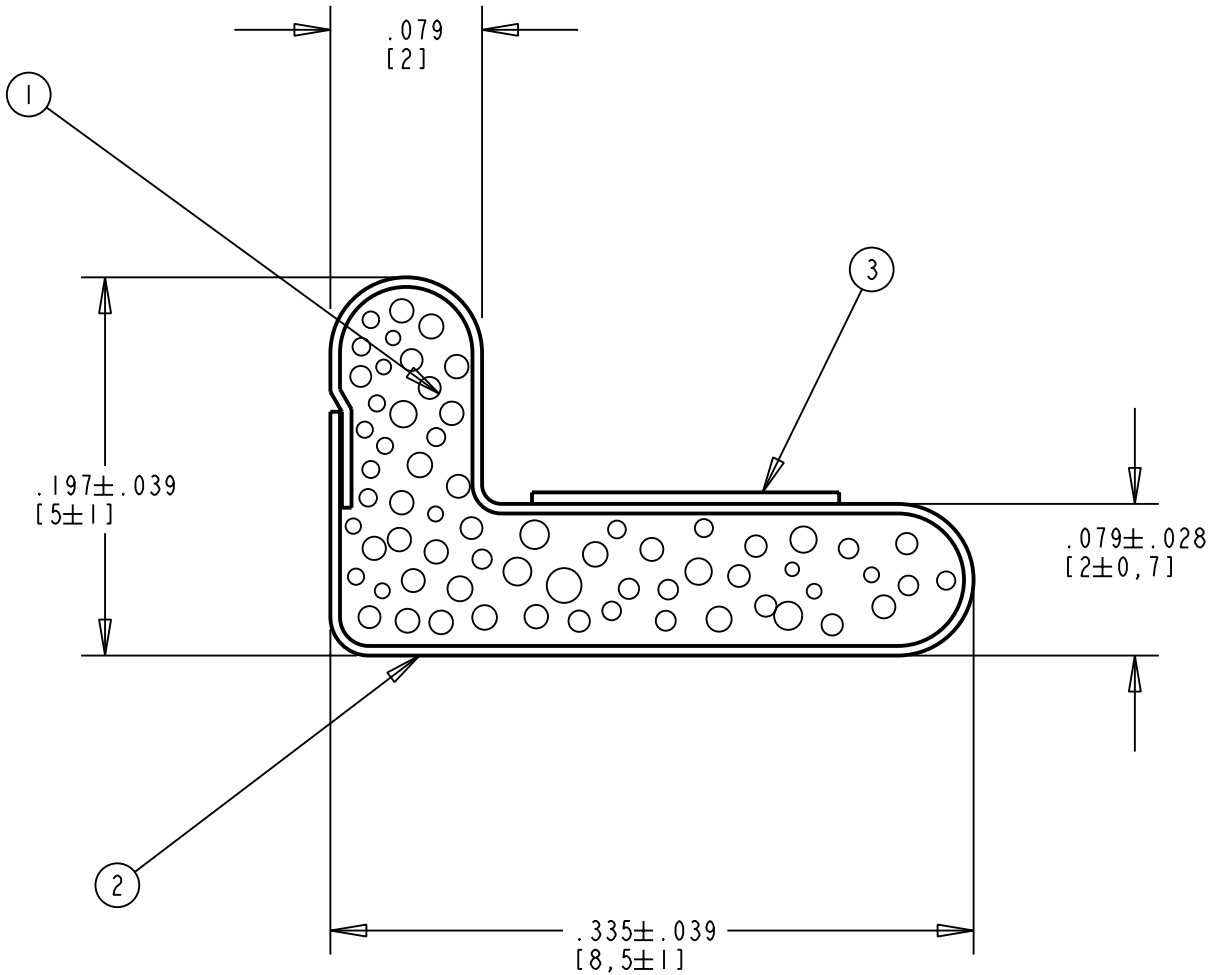
ROCHESTER DIVISION  
PRODUCT PRINT

REVISIONS



The information disclosed on this drawing is confidential and the property of Schlegel Systems Inc. The use, disclosure, or reproduction of this of this information and related knowhow is prohibited without written permission from Schlegel

LEV	DESCRIPTION	DATE	BY
A	ADDED PROFILE NUMBER	3/22/01	EL



IP: 4015

DO NOT SCALE DRAWING

DECIMAL DIMENSIONS ± UNLESS OTHERWISE SPECIFIED mm. <input type="checkbox"/> In. <input type="checkbox"/>	3	R2883-016-7	3M 9485 TAPE .160" WIDE
	2	SEE B.O.M.	CONDUCTIVE FABRIC
	1	SEE B.O.M.	URETHANE FOAM
1/3/01	ITEM	R. M. NUMBER	MATERIAL DESCRIPTION
SHEET 2 OF 2			
DRAWING SCALE: 10.00 : 1	APPROVED:	CHECKED:	DRAWN: EJL TITLE: 5MM X 8.5MM L-SHAPE EMI
CAD FILE NO.:	PART NO.:	ED2__H_____	DRW. NO.: UC3E2600