

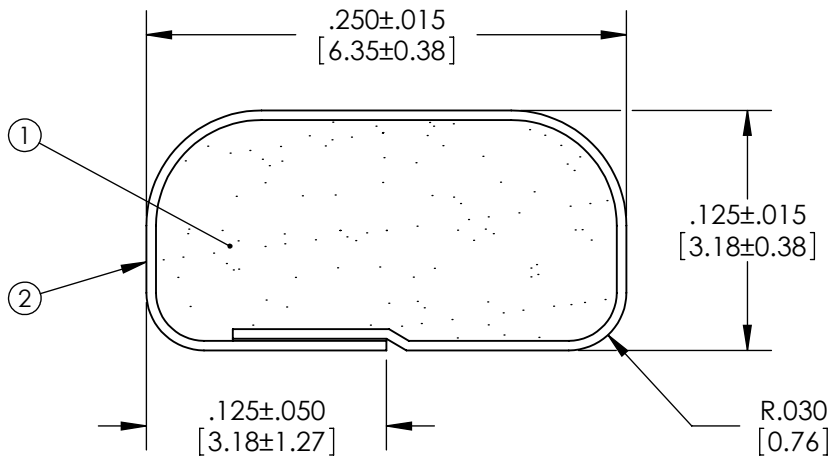
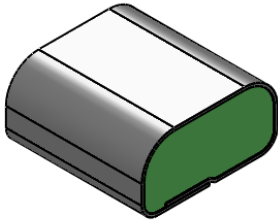


Revisions

Level		Date	By
(A)	REV PER ECO 2056	4/13/99	EL
(B)	REV TO SOLIDWORKS	3/24/10	BEP
(C)			
(D)			

ROCHESTER DIVISION PRODUCT PRINT

The information disclosed in this drawing is confidential and the property of Schlegel Electronic Materials, INC. The use, disclosure, or reproduction of this information and related know-how is prohibited without written permission from Schlegel Electronic Materials, INC.



TOLERANCES

Profile thickness: ± 0.015 " (0.38mm)
 Profile width: ± 0.015 " (0.38mm)



SCALE 1:1

DIMS: MILLIMETERS <input checked="" type="checkbox"/> INCHES <input checked="" type="checkbox"/>		<input checked="" type="checkbox"/>	<input checked="" type="checkbox"/>	(4)		
PDR NO.:		(3)				
CUSTOMER NAME:		(2)	SEE B.O.M.		CONDUCTIVE ADHESIVE	
CUST DWG NO.:		(1)	SEE B.O.M.		URETHANE FABRIC	
SIZE A	Date 1/17/1991					
SHEET 1 OF 2		Item No.	RM Number	Material Description		
SCALE: 10:1	Approved By	Drawn By	BEP	Title 3.2mm x 6.4mm EMI		
Cad File No. UP05041C	Part No. E70xxXxxxxx	Dwg. No. UP3E0504	Rev. C			

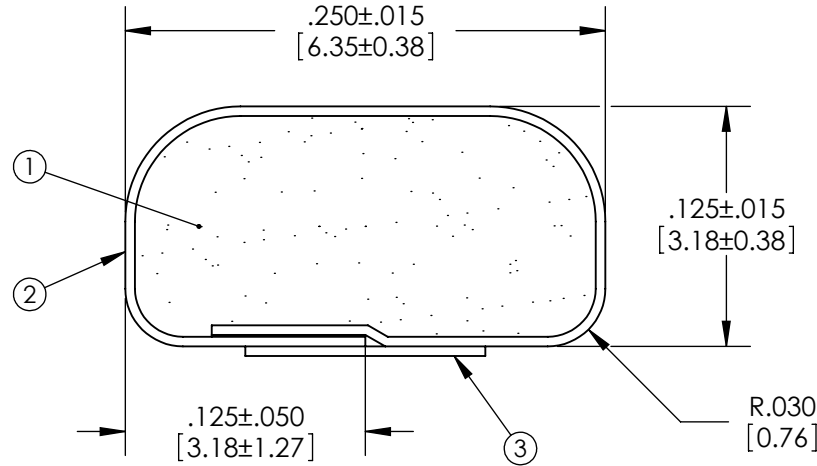
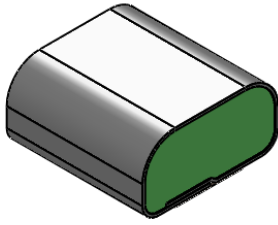


Revisions

Level		Date	By
(A)	REV PER ECO 2056	4/13/99	EL
(B)	REV TO SOLIDWORKS	3/24/10	BEP
(C)			
(D)			

ROCHESTER DIVISION PRODUCT PRINT

The information disclosed in this drawing is confidential and the property of Schlegel Electronic Materials, INC. The use, disclosure, or reproduction of this information and related know-how is prohibited without written permission from Schlegel Electronic Materials, INC.



TOLERANCES

Profile thickness: $\pm .015$ " (0.38mm)
 Profile width: $\pm .015$ " (0.38mm)



DIMS: MILLIMETERS <input checked="" type="checkbox"/> INCHES <input checked="" type="checkbox"/>		(4)		
PDR NO.:		(3)	SEE B.O.M.	PSA .125" WIDE (UNLESS OTHERWISE SPECIFIED)
CUSTOMER NAME:		(2)	SEE B.O.M.	CONDUCTIVE ADHESIVE
CUST DWG NO.:		(1)	SEE B.O.M.	URETHANE FABRIC
SIZE A	Date 1/17/1991	Item No.	RM Number	Material Description
SCALE: 10:1		Approved By	Drawn By BEP	Title 3.2mm x 6.4mm EMI
Cad File No. UP05041C	Part No. E70xxTxxxxx	Dwg. No. UP3E0504	Rev. C	