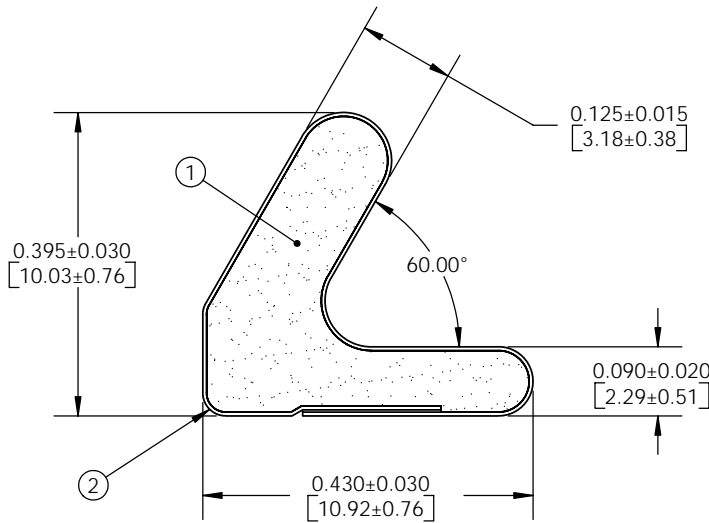
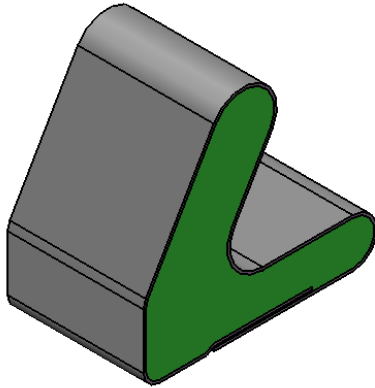


| Level | | Date | By |
|-------|---------------------|---------|-----|
| ○ | RELEASE | 3/23/99 | EL |
| Ⓐ | UPDATE SHEET FORMAT | 3/3/09 | BEP |
| Ⓑ | | | |
| Ⓒ | | | |

ROCHESTER DIVISION PRODUCT PRINT

The information disclosed in this drawing is confidential and the property of Schlegel Electronic Materials, INC. The use, disclosure, or reproduction of this information and related know-how is prohibited without written permission from Schlegel Electronic Materials, INC.



SCALE 1:1



TOLERANCES

- Profile thickness: ± 0.015 " (0.38mm)
- Profile width: ± 0.030 " (0.76mm)
- Length: 1.00"-6.00" = ± 0.030 " (0.76mm)
- 6.00"-12.00" = ± 0.040 " (1.0mm)
- Hole diameter: .062"-.500" = ± 0.010 " (0.25mm)
- .501"-1.00" = ± 0.015 " (0.38mm)
- Die cut edge to feature : .062"-.500" = ± 0.015 " (0.38mm)
- .501"-1.00" = ± 0.030 " (0.76mm)

CURRENT CONFIGURATIONS

| PROFILE | DESCRIPTION |
|---------|---------------------------------|
| E4013 | HR FOAM, NiCu C70 FABRIC |
| E4014 | HR FOAM, NiCu C12 FABRIC |
| E4019 | HR FOAM, Ag C2 FABRIC |
| E4053 | BR FR V-0 FOAM, NiCu C70 FABRIC |
| E4054 | BR FR V-0 FOAM, NiCu C12 FABRIC |
| E4059 | BR FR V-0 FOAM, Ag C2 FABRIC |

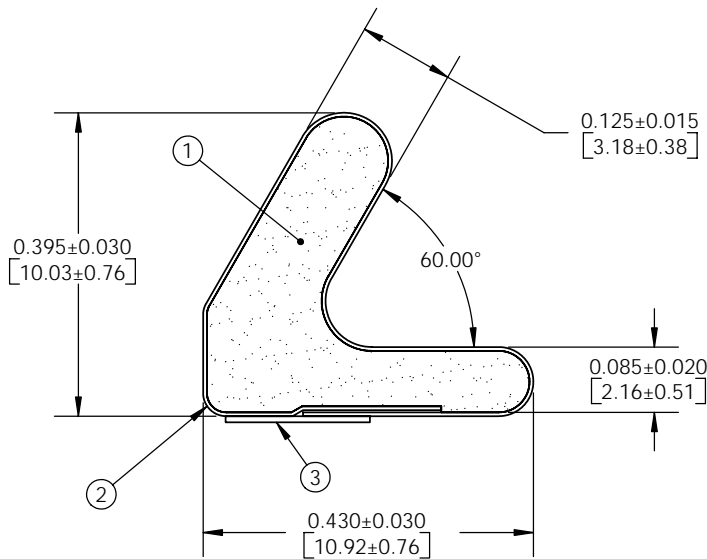
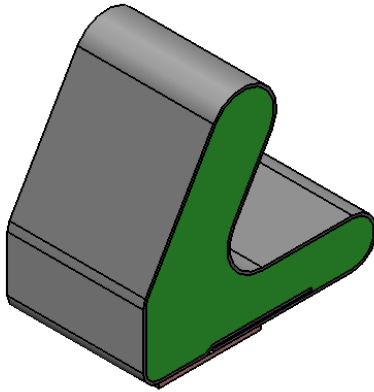
NOTE: Other configurations may be available at special minimum order quantities.

| | | | |
|-----------------------|----------------------|----------------------|--------------------------------|
| PDR NO.: | | | |
| QUOTE NO.: | ③ | | |
| CUSTOMER NAME: | ② | SEE B.O.M. | CONDUCTIVE FABRIC |
| CUST DWG NO.: | ① | SEE B.O.M. | URETHANE FOAM |
| SIZE A | Date 3/23/1999 | Item No. | RM Number |
| SHEET 1 OF 3 | | Material Description | |
| SCALE: 4:1 | Approved By | Drawn By EJL | Title 10mm x 10.9mm C-FOLD EMI |
| Cad File No. UP14841A | Part No. E40xxXXXXXX | Dwg. No. UP3E1484 | Rev. A |

| Level | | Date | By |
|-------|---------------------|---------|-----|
| ○ | RELEASE | 3/23/99 | EL |
| Ⓐ | UPDATE SHEET FORMAT | 3/3/09 | BEP |
| Ⓑ | | | |
| Ⓒ | | | |

ROCHESTER DIVISION PRODUCT PRINT

The information disclosed in this drawing is confidential and the property of Schlegel Electronic Materials, INC. The use, disclosure, or reproduction of this information and related know-how is prohibited without written permission from Schlegel Electronic Materials, INC.



SCALE 1:1



TOLERANCES

Profile thickness: ± 0.015 " (0.38mm)
 Profile width: ± 0.030 " (0.76mm)
 Length: 1.00"-6.00" = ± 0.030 " (0.76mm)
 6.00"-12.00" = ± 0.040 " (1.0mm)
 Hole diameter: .062"-.500" = ± 0.010 " (0.25mm)
 .501"-1.00" = ± 0.015 " (0.38mm)
 Die cut edge to feature : .062"-.500" = ± 0.015 " (0.38mm)
 .501"-1.00" = ± 0.030 " (0.76mm)

| CURRENT CONFIGURATIONS | |
|------------------------|---------------------------------|
| PROFILE | DESCRIPTION |
| E4013 | HR FOAM, NiCu C70 FABRIC |
| E4014 | HR FOAM, NiCu C12 FABRIC |
| E4019 | HR FOAM, Ag C2 FABRIC |
| E4053 | BR FR V-0 FOAM, NiCu C70 FABRIC |
| E4054 | BR FR V-0 FOAM, NiCu C12 FABRIC |
| E4059 | BR FR V-0 FOAM, Ag C2 FABRIC |

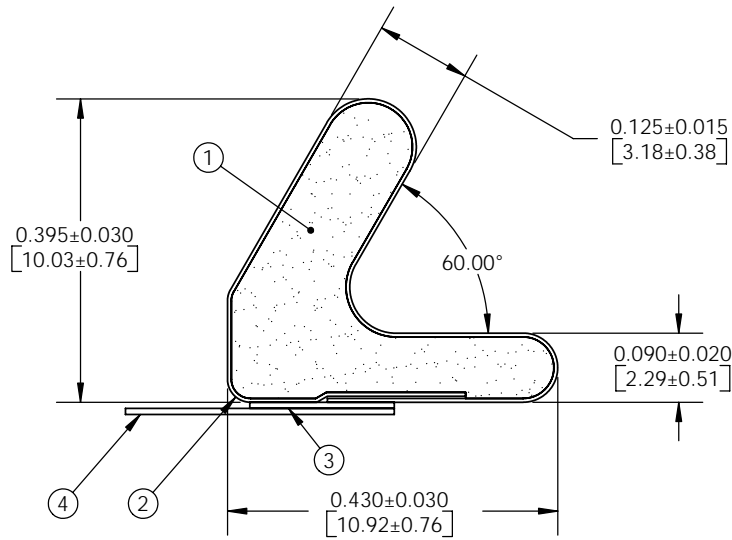
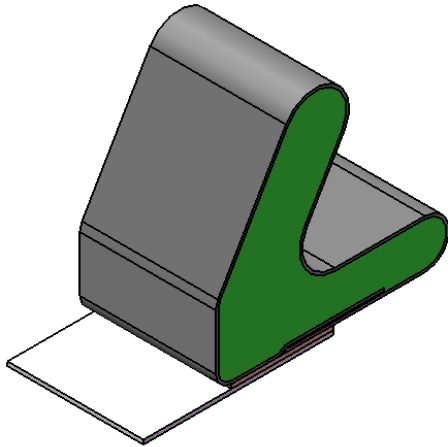
NOTE: Other configurations may be available at special minimum order quantities.

| | | | |
|-----------------------|----------------------|-------------------|---|
| PDR NO.: | | | |
| QUOTE NO.: | ③ | SEE B.O.M. | PSA .188" WIDE (UNLESS OTHERWISE SPECIFIED) |
| CUSTOMER NAME: | ② | SEE B.O.M. | CONDUCTIVE FABRIC |
| CUST DWG NO.: | ① | SEE B.O.M. | URETHANE FOAM |
| DATE | 3/23/1999 | | |
| SIZE | A | | |
| SHEET 2 OF 3 | | Item No. | Material Description |
| SCALE: 4:1 | Approved By | Drawn By EJL | Title 10mm x 10.9mm C-FOLD EMI |
| Cad File No. UP14841A | Part No. E40xxTxxxxx | Dwg. No. UP3E1484 | Rev. A |

| Level | | Date | By |
|-------|---------------------|---------|-----|
| ○ | RELEASE | 3/23/99 | EL |
| Ⓐ | UPDATE SHEET FORMAT | 3/3/09 | BEP |
| Ⓑ | | | |
| Ⓒ | | | |

ROCHESTER DIVISION PRODUCT PRINT

The information disclosed in this drawing is confidential and the property of Schlegel Electronic Materials, INC. The use, disclosure, or reproduction of this information and related know-how is prohibited without written permission from Schlegel Electronic Materials, INC.



SCALE 1:1



TOLERANCES

- Profile thickness: ± 0.015 " (0.38mm)
- Profile width: ± 0.030 " (0.76mm)
- Length: 1.00"-6.00" = ± 0.030 " (0.76mm)
- 6.00"-12.00" = ± 0.040 " (1.0mm)
- Hole diameter: .062"-.500" = ± 0.010 " (0.25mm)
- .501"-1.00" = ± 0.015 " (0.38mm)
- Die cut edge to feature : .062"-.500" = ± 0.015 " (0.38mm)
- .501"-1.00" = ± 0.030 " (0.76mm)

| CURRENT CONFIGURATIONS | |
|--|---------------------------------|
| PROFILE | DESCRIPTION |
| E4013 | HR FOAM, NiCu C70 FABRIC |
| E4014 | HR FOAM, NiCu C12 FABRIC |
| E4019 | HR FOAM, Ag C2 FABRIC |
| E4053 | BR FR V-0 FOAM, NiCu C70 FABRIC |
| E4054 | BR FR V-0 FOAM, NiCu C12 FABRIC |
| E4059 | BR FR V-0 FOAM, Ag C2 FABRIC |
| NOTE: Other configurations may be available at special minimum order quantities. | |

| | | | |
|-----------------------|----------------------|-------------------|---|
| PDR NO.: | ④ | SEE B.O.M. | RELEASE LINER .350" WIDE (UNLESS OTHERWISE SPECIFIED) |
| QUOTE NO.: | ③ | SEE B.O.M. | PSA .188" WIDE (UNLESS OTHERWISE SPECIFIED) |
| CUSTOMER NAME: | ② | SEE B.O.M. | CONDUCTIVE FABRIC |
| CUST DWG NO.: | ① | SEE B.O.M. | URETHANE FOAM |
| SIZE A | Date | 3/23/1999 | |
| SHEET 3 OF 3 | | Item No. | Material Description |
| SCALE: 4:1 | Approved By | Drawn By EJL | Title 10mm x 10.9mm C-FOLD EMI |
| Cad File No. UP14841A | Part No. E40xxZxxxxx | Dwg. No. UP3E1484 | Rev. A |