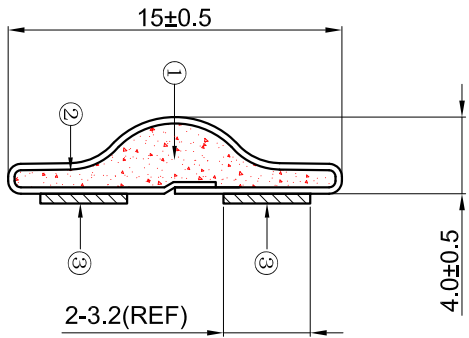


Revisions			
Lev	Description	Date	By
Ⓐ	Initial Release	06.Oct.11	Juan
Ⓑ			
Ⓒ			

SEM FE DIVISION PRODUCT PRINT  
 The information disclosed on this drawing is confidential and the property of Schlegel Electronic Materials, Inc. The use, disclosure, or reproduction of this information and related know-how is prohibited without written permission from Schlegel Electronic Materials, Inc.



PDR:  
 CUST.:  
 CUST. P/N:

DO NOT SCALE THIS DRAWING  
 UNLESS PRINTER IS QUALIFIED

DECIMAL DIMENSIONS ± _____ UNLESS OTHERWISE SPECIFIED ALL DIMENSIONS IN MM Date: 06.Oct.2011	④		
	③	SEE B.O.M.	PRESSURE SENSITIVE ADHESIVE .125" WIDE
	②	SEE B.O.M.	CONDUCTIVE FABRIC
	①	SEE B.O.M.	URETHANE FOAM
Sheet 1 of 1	Item	R.M. Number	Material Description
Drawn Scale: 5:1	Approved:	Drawn:	Title: 4.0X15.0 EMI
Cad File No.	Part No. E1T__X_____	Dwg. No. CC3E8810	