

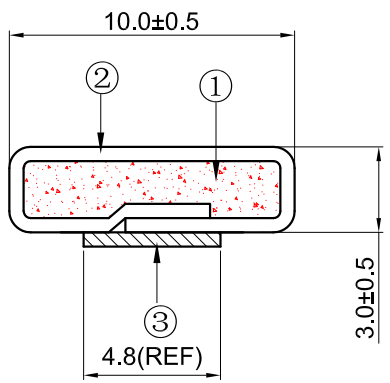
SCHLEGEL
electronic materials
 a member of **EMEI Group**

Revisions

Lev	Description	Date	By
Ⓐ	Initial Release	06.Oct.11	Juan
Ⓑ			
Ⓒ			

SEM FE DIVISION PRODUCT PRINT

The information disclosed on this drawing is confidential and the property of Schlegel Electronic Materials, Inc. The use, disclosure, or reproduction of this information and related know-how is prohibited without written permission from Schlegel Electronic Materials, Inc.



PDR:
 CUST.:
 CUST. P/N:

DO NOT SCALE THIS DRAWING
 UNLESS PRINTER IS QUALIFIED

DECIMAL DIMENSIONS ± _____ UNLESS OTHERWISE SPECIFIED ALL DIMENSIONS IN MM Date: 06.Oct.2011 Sheet 1 of 1 Drawn Scale: 5:1 Approved: _____ Cad File No. _____	④		
	③	SEE B.O.M.	PRESSURE SENSITIVE ADHESIVE .188" WIDE
	②	SEE B.O.M.	CONDUCTIVE FABRIC
	①	SEE B.O.M.	URETHANE FOAM
	Item	R.M. Number	Material Description
		Drawn:	Title: 3.0X10.0 EMI
	Part No.	E1Q__X_____	
	Dwg. No.	CC3E8808	