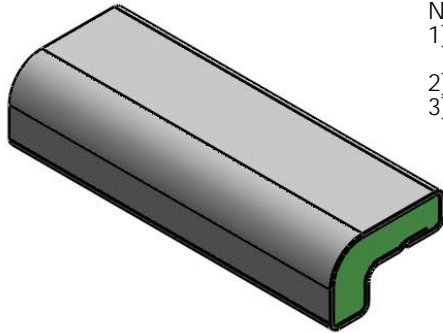


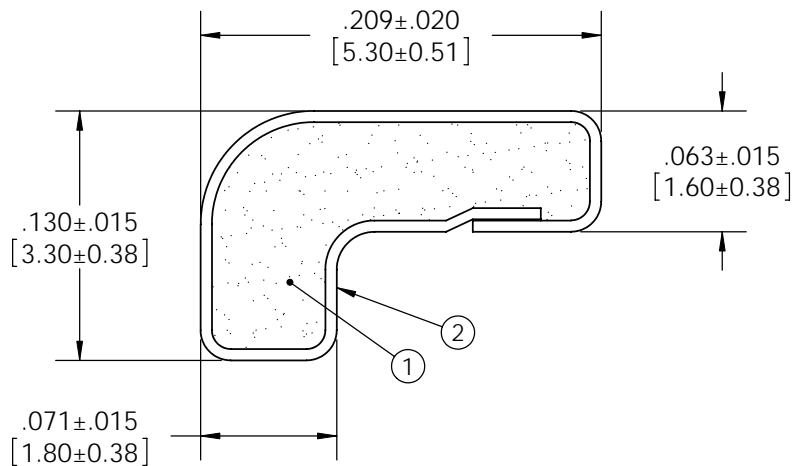
Revisions			
Level		Date	By
(A)	REV TO SOLIDWORKS	4/26/10	BEP
(B)			
(C)			
(D)			

ROCHESTER DIVISION PRODUCT PRINT

The information disclosed in this drawing is confidential and the property of Schlegel Electronic Materials, INC. The use, disclosure, or reproduction of this information and related know-how is prohibited without written permission from Schlegel Electronic Materials, INC.



- NOTES:
 1) REFERENCE DIMENSIONS (REF) HAVE NO TOLERANCE AND ARE FOR INFORMATIVE PURPOSES ONLY.
 2) FOR ALL MISSING DIMENSIONS 3D CAD FILES SHOULD BE USED.
 3) UNLESS OTHERWISE SPECIFIED INTERPRET TOLERANCES ACCORDING TO ISO 2768C.



TOLERANCES

Profile thickness: ± 0.015 " (0.38mm)
 Profile width: ± 0.020 " (0.51mm)



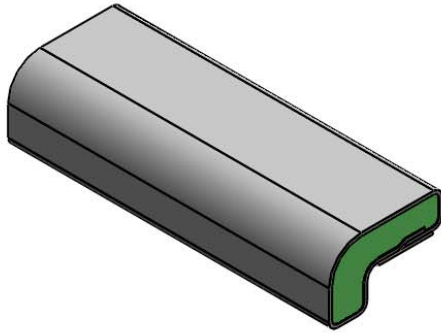
SCALE 1:1

DIMS: MILLIMETERS <input checked="" type="checkbox"/> INCHES <input checked="" type="checkbox"/>		<input checked="" type="checkbox"/> <input type="checkbox"/>	(4)		
PDR NO.:			(3)		
CUSTOMER NAME:			(2)	SEE B.O.M.	CONDUCTIVE FABRIC
CUST DWG NO.:			(1)	SEE B.O.M.	URETHANE FOAM
SIZE A	Date 11/13/2009		Item No.	RM Number	Material Description
SCALE: 10:1		Approved By	Drawn By WEI	Title 3.3mm x 5.3mm J-SHAPE EMI	
Cad File No. CC87201A	Part No. E1CxxXxxxxx	Dwg. No. CC3E8720		Rev. A	

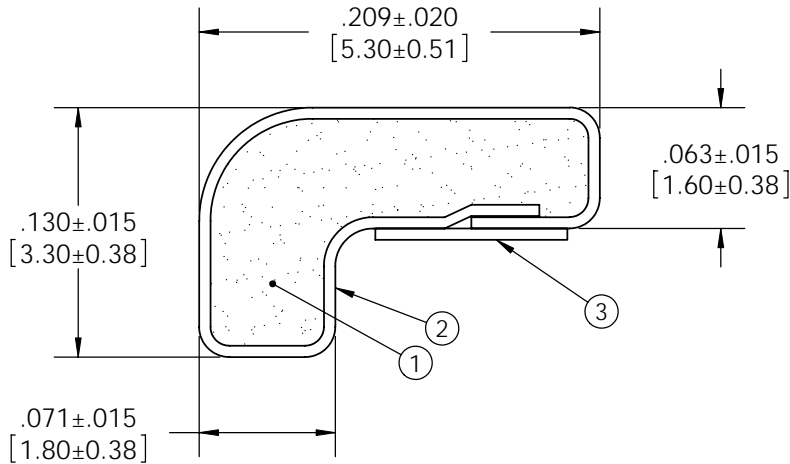
Revisions			
Level		Date	By
(A)	REV TO SOLIDWORKS	4/26/10	BEP
(B)			
(C)			
(D)			

ROCHESTER DIVISION PRODUCT PRINT

The information disclosed in this drawing is confidential and the property of Schlegel Electronic Materials, INC. The use, disclosure, or reproduction of this information and related know-how is prohibited without written permission from Schlegel Electronic Materials, INC.



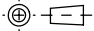
- NOTES:
 1) REFERENCE DIMENSIONS (REF) HAVE NO TOLERANCE AND ARE FOR INFORMATIVE PURPOSES ONLY.
 2) FOR ALL MISSING DIMENSIONS 3D CAD FILES SHOULD BE USED.
 3) UNLESS OTHERWISE SPECIFIED INTERPRET TOLERANCES ACCORDING TO ISO 2768C.



TOLERANCES

Profile thickness: $\pm .015$ " (0.38mm)
 Profile width: $\pm .020$ " (0.51mm)

SCALE 1:1

DIMS: MILLIMETERS <input checked="" type="checkbox"/> INCHES <input checked="" type="checkbox"/>				(4)		
PDR NO.:		(3)		SEE B.O.M.	PSA .100" WIDE (UNLESS OTHERWISE SPECIFIED)	
CUSTOMER NAME:		(2)		SEE B.O.M.	CONDUCTIVE FABRIC	
CUST DWG NO.:		(1)		SEE B.O.M.	URETHANE FOAM	
SIZE A	Date 11/13/2009	SHEET 2 OF 2		Item No.	RM Number	Material Description
SCALE: 10:1	Approved By	Drawn By WEI		Title 3.3mm x 5.3mm J-SHAPE EMI		
Cad File No. CC87201A	Part No. E1CxxTxxxxx	Dwg. No. CC3E8720		Rev. A		