

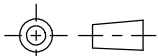
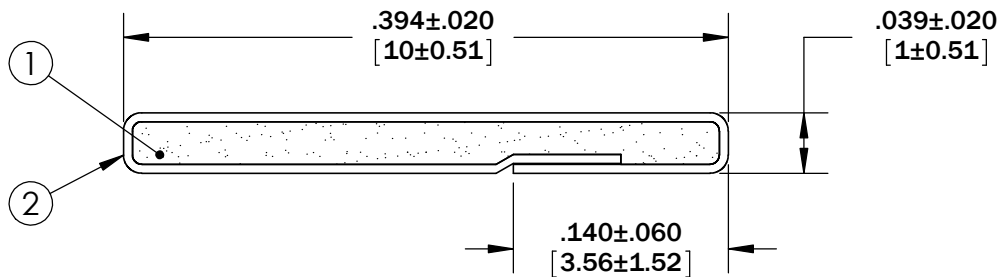
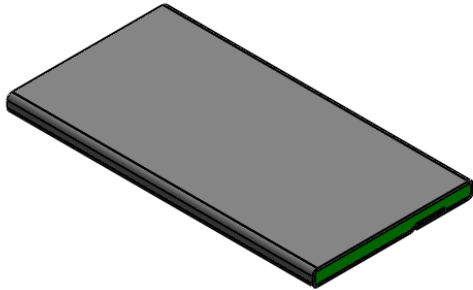


Revisions

Level		Date	By
(A)	REV. PER ECO 2118	6/14/99	CMH
(B)	UPDATE SHEET FORMAT	6/9/09	BEP
(C)			
(D)			

ROCHESTER DIVISION PRODUCT PRINT

The information disclosed in this drawing is confidential and the property of Schlegel Electronic Materials, INC. The use, disclosure, or reproduction of this information and related know-how is prohibited without written permission from Schlegel Electronic Materials, INC.



TOLERANCES  
 Profile thickness:  $\pm .020$ " (0.51mm)  
 Profile width:  $\pm .020$ " (0.51mm)

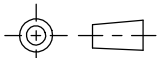
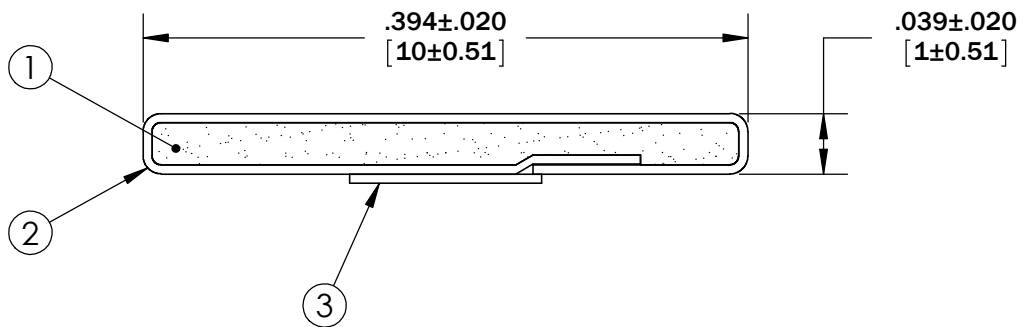
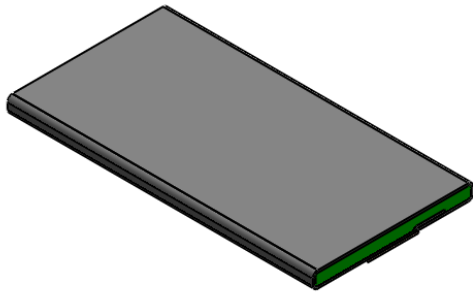
SCALE 1:1

PDR NO.:	(4)		
QUOTE NO.:	(3)		
CUSTOMER NAME:	(2)	SEE B.O.M.	CONDUCTIVE ADHESIVE
CUST DWG NO.:	(1)	SEE B.O.M.	URETHANE FOAM
DATE	3/18/1999		
SIZE	A		
SHEET 1 OF 2		Item No.	Material Description
SCALE: 8:1	Approved By	Drawn By: EJL	Title: 1mm x 10mm EMI
Cad File No. UP06901B	Part No. E11	Dwg. No. UP3E0690	Rev. B

Revisions			
Level		Date	By
(A)	REV. PER ECO 2118	6/14/99	CMH
(B)	UPDATE SHEET FORMAT	6/9/09	BEP
(C)			
(D)			

ROCHESTER DIVISION PRODUCT PRINT

The information disclosed in this drawing is confidential and the property of Schlegel Electronic Materials, INC. The use, disclosure, or reproduction of this information and related know-how is prohibited without written permission from Schlegel Electronic Materials, INC.



TOLERANCES  
 Profile thickness:  $\pm .020$ " (0.51mm)  
 Profile width:  $\pm .020$ " (0.51mm)

SCALE 1:1

PDR NO.:	(4)		
QUOTE NO.:	(3)	SEE B.O.M.	PSA .125" WIDE (UNLESS OTHERWISE SPECIFIED)
CUSTOMER NAME:	(2)	SEE B.O.M.	CONDUCTIVE ADHESIVE
CUST DWG NO.:	(1)	SEE B.O.M.	URETHANE FOAM
SIZE	Date	3/18/1999	
<b>A</b>	SHEET 2 OF 2		Item No. RM Number Material Description
SCALE: 8:1	Approved By	Drawn By	EJL
Title		1mm x 10mm EMI	
Cad File No.	UP06901B	Part No.	E11
Dwg. No.	UP3E0690	Rev.	B