

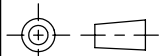
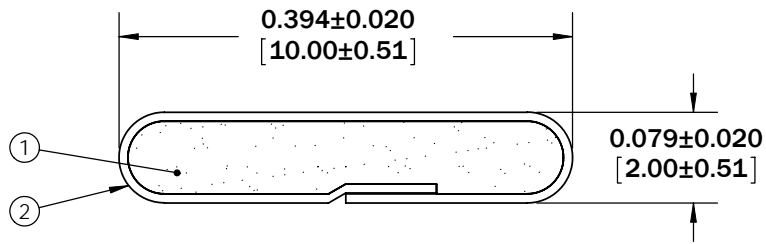
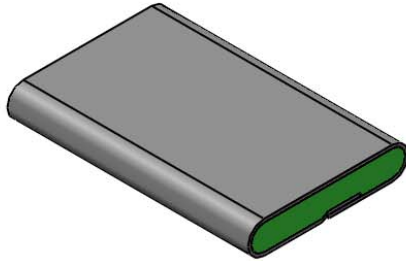


Revisions

Level		Date	By
○			
Ⓐ	RELEASE	12/14/93	EL
Ⓑ	REV TO PRO E	3/17/99	EL
Ⓒ	UPDATE SHEET FORMAT	2/26/09	BEP

ROCHESTER DIVISION PRODUCT PRINT

The information disclosed in this drawing is confidential and the property of Schlegel Electronic Materials, INC. The use, disclosure, or reproduction of this information and related know-how is prohibited without written permission from Schlegel Electronic Materials, INC.



TOLERANCES
 Profile thickness: ±.020" (0.51mm)
 Profile width: ±.020" (0.51mm)



SCALE 1:1

PDR NO.:			
QUOTE NO.:	③		
CUSTOMER NAME:	②	SEE B.O.M.	CONDUCTIVE FABRIC
CUST DWG NO.:	①	SEE B.O.M.	URETHANE FOAM
SIZE A	Date 12/14/1993	Item No.	RM Number
SHEET 1 OF 3		Material Description	
SCALE: 6:1	Approved By	Drawn By EJJ	Title 2mm x 10mm EMI
Cad File No. UC07661B	Part No. E08xxXxxxxx	Dwg. No. UC3E0766	Rev. B

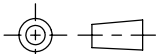
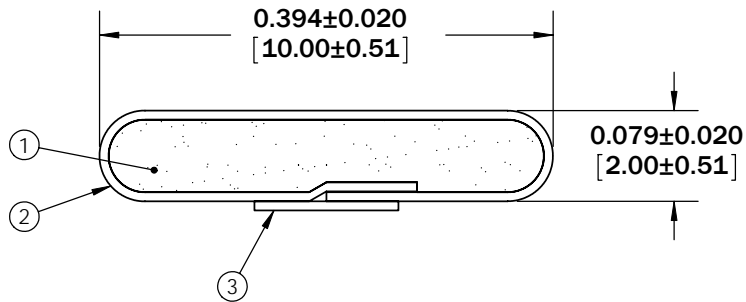
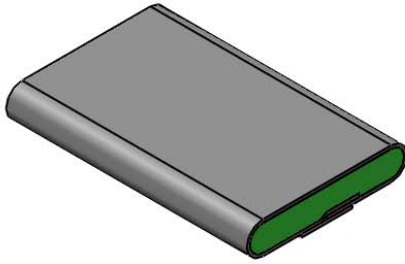


Revisions

Level		Date	By
○	RELEASE	12/14/93	EL
Ⓐ	REV TO PRO E	3/17/99	EL
Ⓑ	UPDATE SHEET FORMAT	2/26/09	BEP
Ⓒ			

ROCHESTER DIVISION PRODUCT PRINT

The information disclosed in this drawing is confidential and the property of Schlegel Electronic Materials, INC. The use, disclosure, or reproduction of this information and related know-how is prohibited without written permission from Schlegel Electronic Materials, INC.



TOLERANCES

Profile thickness: ± 0.020 " (0.51mm)
 Profile width: ± 0.020 " (0.51mm)



SCALE 1:1

PDR NO.:			
QUOTE NO.:	③	SEE B.O.M.	PSA .125" WIDE (UNLESS OTHERWISE SPECIFIED)
CUSTOMER NAME:	②	SEE B.O.M.	CONDUCTIVE FABRIC
CUST DWG NO.:	①	SEE B.O.M.	URETHANE FOAM
SIZE A	Date 12/14/1993	Item No.	RM Number
SHEET 2 OF 3		Material Description	
SCALE: 6:1	Approved By	Drawn By E.J.L.	Title 2mm x 10mm EMI
Cad File No. UC07661B	Part No. E08xxTxxxxx	Dwg. No. UC3E0766	Rev. B

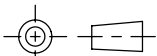
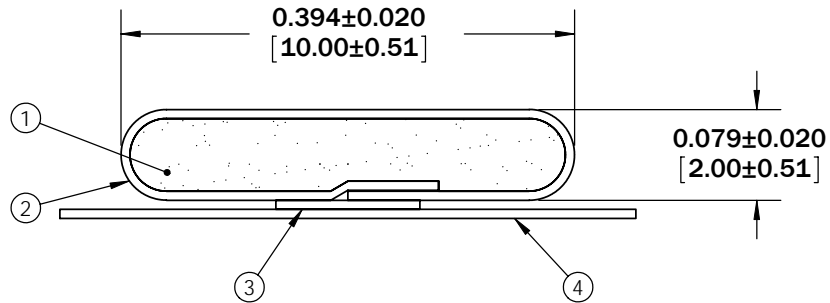
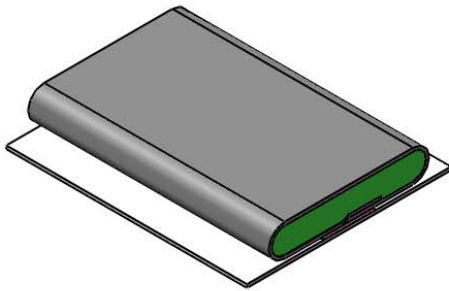


Revisions

Level		Date	By
○	RELEASE	12/14/93	EL
Ⓐ	REV TO PRO E	3/17/99	EL
Ⓑ	UPDATE SHEET FORMAT	2/26/09	BEP
Ⓒ			

ROCHESTER DIVISION PRODUCT PRINT

The information disclosed in this drawing is confidential and the property of Schlegel Electronic Materials, INC. The use, disclosure, or reproduction of this information and related know-how is prohibited without written permission from Schlegel Electronic Materials, INC.



TOLERANCES

Profile thickness: ± 0.020 " (0.51mm)
 Profile width: ± 0.020 " (0.51mm)



SCALE 1:1

PDR NO.:	④	SEE B.O.M.	RELEASE LINER .500" WIDE (UNLESS OTHERWISE SPECIFIED)
QUOTE NO.:	③	SEE B.O.M.	PSA .125" WIDE (UNLESS OTHERWISE SPECIFIED)
CUSTOMER NAME:	②	SEE B.O.M.	CONDUCTIVE FABRIC
CUST DWG NO.:	①	SEE B.O.M.	URETHANE FOAM
SIZE A	Date	12/14/1993	
SHEET 3 OF 3		Item No.	Material Description
SCALE: 6:1	Approved By	Drawn By E.J.L.	Title 2mm x 10mm EMI
Cad File No. UC07661B	Part No. E08xxZxxxxx	Dwg. No. UC3E0766	Rev. B