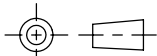
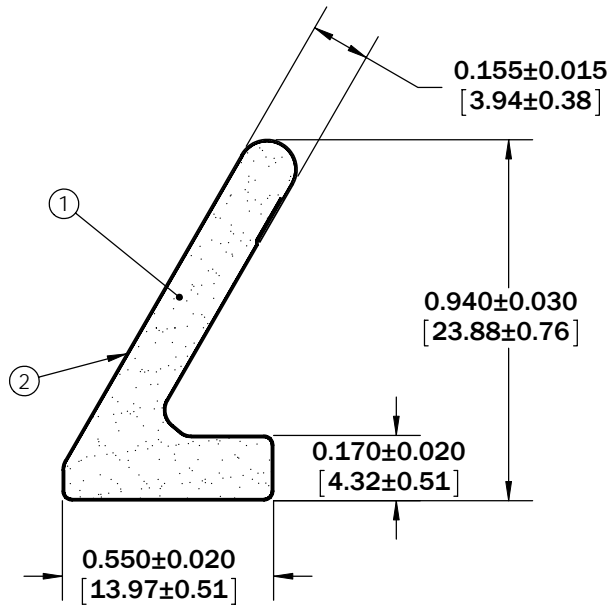
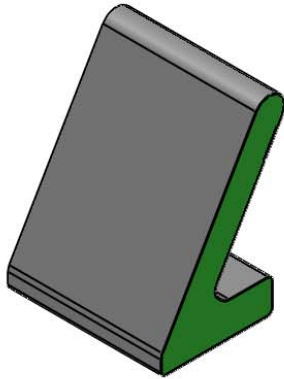


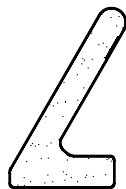
Level		Date	By
○	RELEASE	3/17/99	EL
Ⓐ	REV PER ECO 2288	2/14/03	EL
Ⓑ	UPDATE SHEET FORMAT	2/20/09	BEP
Ⓒ			

ROCHESTER DIVISION PRODUCT PRINT

The information disclosed in this drawing is confidential and the property of Schlegel Electronic Materials, INC. The use, disclosure, or reproduction of this information and related know-how is prohibited without written permission from Schlegel Electronic Materials, INC.



TOLERANCES
 Profile thickness: ± 0.030 " (0.76mm)
 Profile width: ± 0.020 " (0.51mm)



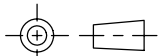
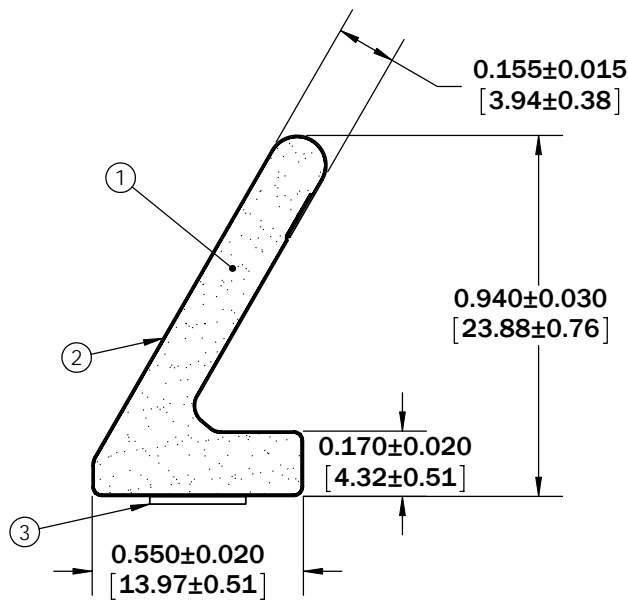
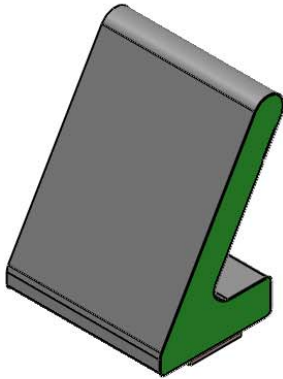
SCALE 1:1

PDR NO.:			
QUOTE NO.:	③		
CUSTOMER NAME:	②	SEE B.O.M.	CONDUCTIVE FABRIC
CUST DWG NO.:	①	SEE B.O.M.	URETHANE FOAM
SIZE A	Date 3/17/99	Item No.	RM Number
SHEET 1 OF 3		Material Description	
SCALE: 2:1	Approved By	Drawn By EJL	Title EMI HI LEAF ASTRAGAL
Cad File No. UP04631B	Part No. E02xxXxxxxx	Dwg. No. UP3E0463	Rev. B

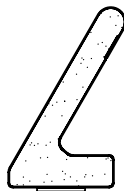
Level		Date	By
○	RELEASE	3/17/99	EL
Ⓐ	REV PER ECO 2288	2/14/03	EL
Ⓑ	UPDATE SHEET FORMAT	2/20/09	BEP
Ⓒ			

ROCHESTER DIVISION PRODUCT PRINT

The information disclosed in this drawing is confidential and the property of Schlegel Electronic Materials, INC. The use, disclosure, or reproduction of this information and related know-how is prohibited without written permission from Schlegel Electronic Materials, INC.



TOLERANCES
 Profile thickness: ±.030" (0.76mm)
 Profile width: ±.020" (0.51mm)



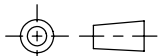
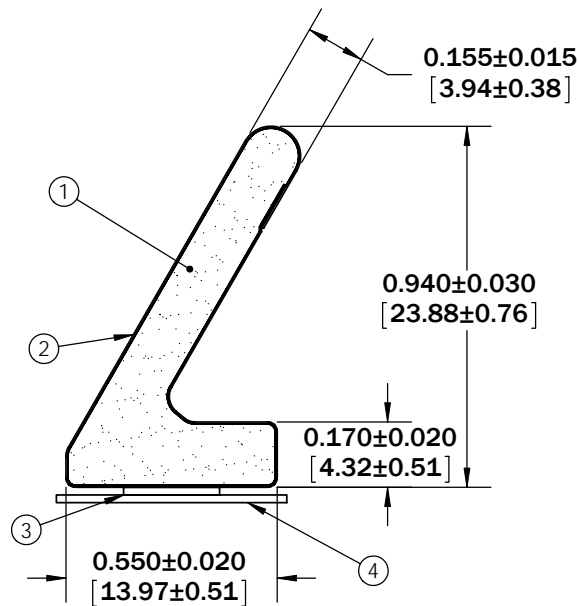
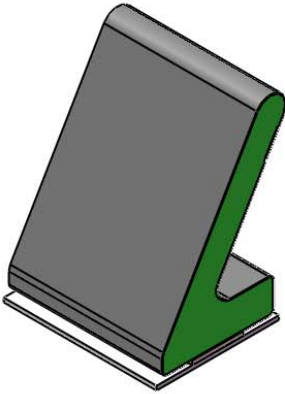
SCALE 1:1

PDR NO.:			
QUOTE NO.:	③	SEE B.O.M.	PSA .250" WIDE (UNLESS OTHERWISE SPECIFIED)
CUSTOMER NAME:	②	SEE B.O.M.	CONDUCTIVE FABRIC
CUST DWG NO.:	①	SEE B.O.M.	URETHANE FOAM
SIZE A	Date 3/17/99	Item No.	RM Number
SHEET 2 OF 3		Material Description	
SCALE: 2:1	Approved By	Drawn By EJL	Title EMI HI LEAF ASTRAGAL
Cad File No. UP04631B	Part No. E02xxTxxxxx	Dwg. No. UP3E0463	Rev. B

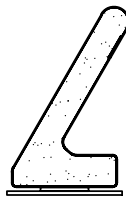
Level		Date	By
○	RELEASE	3/17/99	EL
Ⓐ	REV PER ECO 2288	2/14/03	EL
Ⓑ	UPDATE SHEET FORMAT	2/20/09	BEP
Ⓒ			

ROCHESTER DIVISION PRODUCT PRINT

The information disclosed in this drawing is confidential and the property of Schlegel Electronic Materials, INC. The use, disclosure, or reproduction of this information and related know-how is prohibited without written permission from Schlegel Electronic Materials, INC.



TOLERANCES
 Profile thickness: ± 0.030 " (0.76mm)
 Profile width: ± 0.020 " (0.51mm)



SCALE 1:1

PDR NO.:	④	SEE B.O.M.	RELEASE LINER .600" WIDE (UNLESS OTHERWISE SPECIFIED)
QUOTE NO.:	③	SEE B.O.M.	PSA .250" WIDE (UNLESS OTHERWISE SPECIFIED)
CUSTOMER NAME:	②	SEE B.O.M.	CONDUCTIVE FABRIC
CUST DWG NO.:	①	SEE B.O.M.	URETHANE FOAM
SIZE A	Date	3/17/99	
SHEET 3 OF 3		Item No.	Material Description
SCALE: 2:1	Approved By	Drawn By: EJJ	Title: EMI HI LEAF ASTRAGAL
Cad File No. UP04631B	Part No. E02xxZxxxxx	Dwg. No. UP3E0463	Rev. B