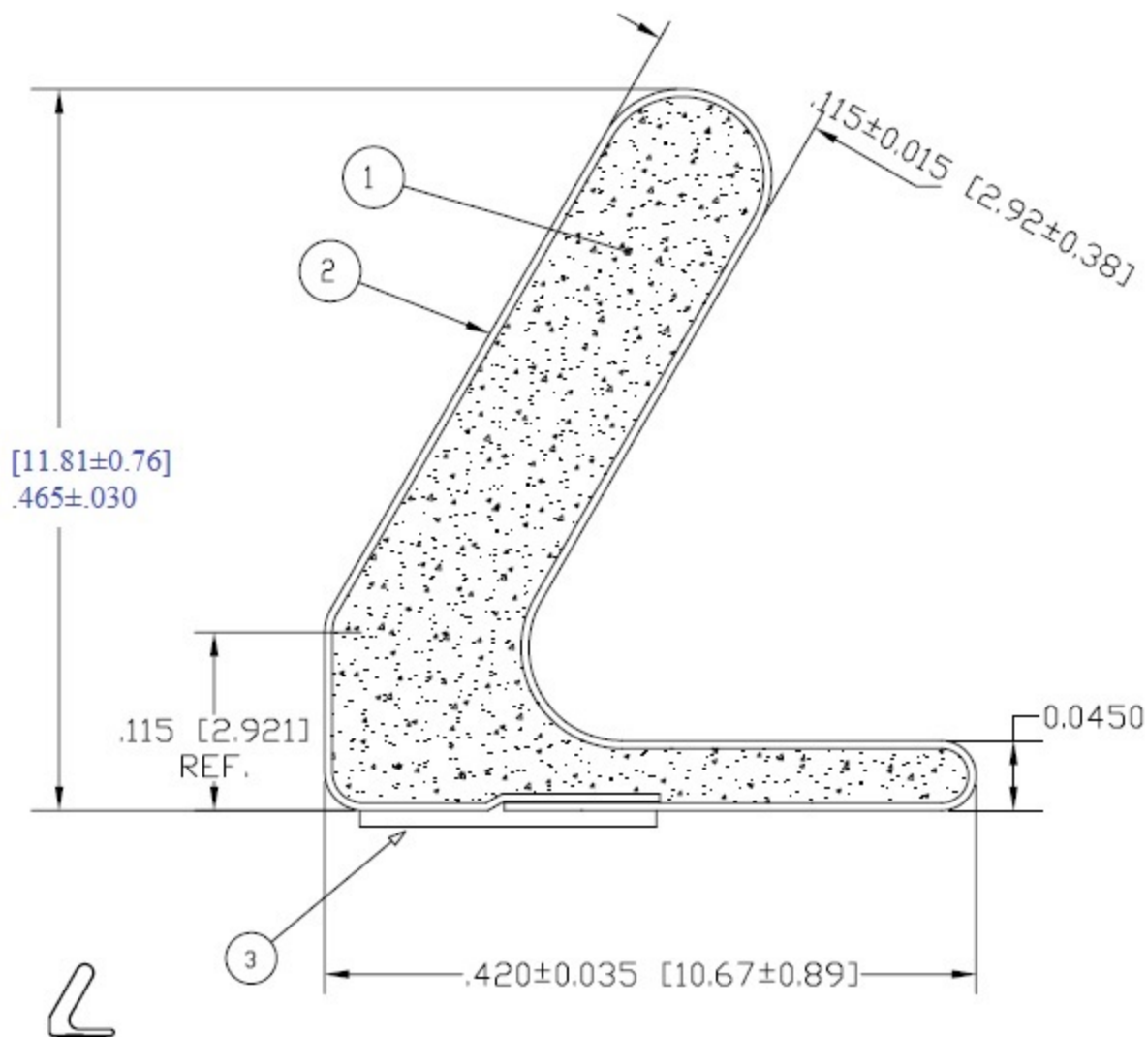


REV	DESCRIPTION	DATE	BY

ROCHESTER DIVISION PRODUCT PRINT

The information disclosed on this drawing is confidential and the property of Schlegel Electronic Materials, Inc. The use, disclosure, or reproduction of this information and related know-how is prohibited without written permission from Schlegel Electronic Materials, Inc.



FULL SCALE

 DECIMAL DIMENSIONS ±
 UNLESS OTHERWISE SPECIFIED
 mm X In. X

1/14/2008

SHEET 1 OF 2

 SCALE:
 10 : 1

APPROVED:

CHECKED:

 DRAWN:
 PAT

TITLE: C-FOLD 465 W/O INSERT

 CAD FILE
 NO: DC45691

 PART
 NO: EQ3-----

 DRW.
 NO: DC3E4569

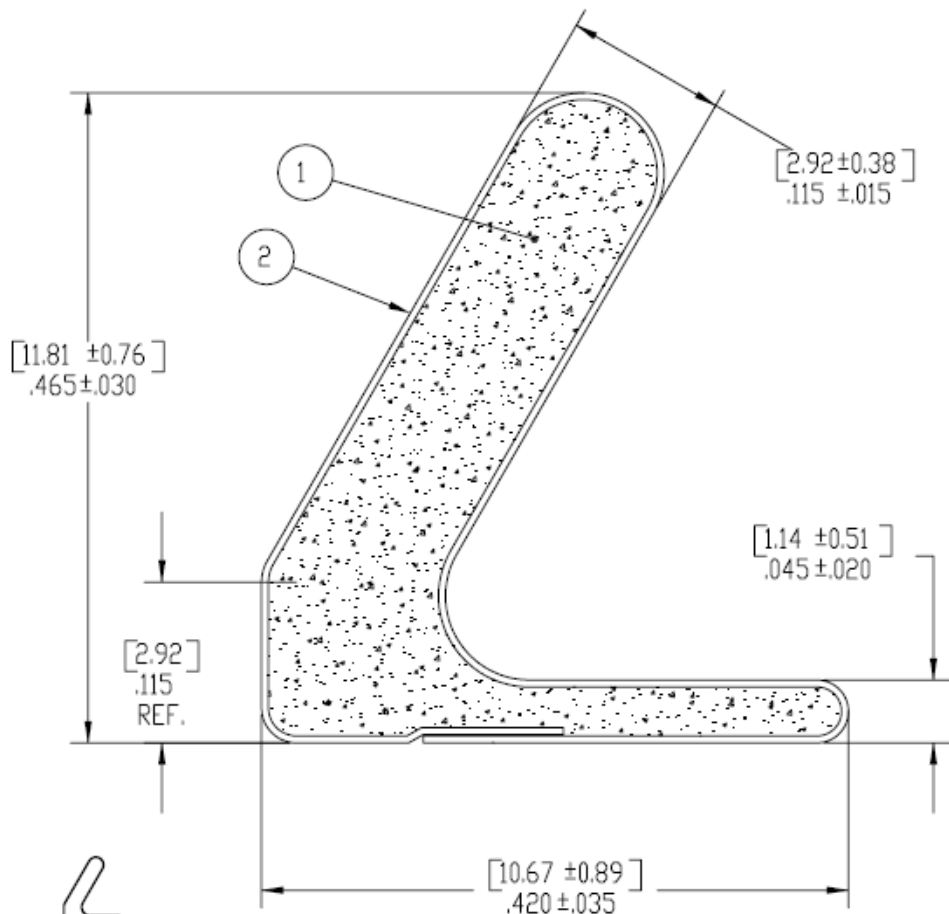
E00037K

3	SEE B.O.M.	PRESSURE SENSITIVE ADHESIVE .188" WIDE
2	SEE B.O.M.	EMI LINER
1	SEE B.O.M.	URETHANE FOAM
ITEM	R. M. NUMBER	MATERIAL DESCRIPTION

REVISIONS			
REV	DESCRIPTION	DATE	BY

ROCHESTER DIVISION PRODUCT PRINT

The information disclosed on this drawing is confidential and the property of Schlegel Electronic Materials, Inc. The use, disclosure, or reproduction of this information and related know-how is prohibited without written permission from Schlegel Electronic Materials, Inc.



FULL SCALE

DECIMAL DIMENSIONS + UNLESS OTHERWISE SPECIFIED mm <input type="checkbox"/> x In. <input type="checkbox"/>	2	SEE B.O.M.	EMI LINER
1/14/2008	1	SEE B.O.M.	URETHANE FOAM
SHEET 1 OF 2	ITEM	R. M. NUMBER	MATERIAL DESCRIPTION
SCALE: 10 : 1	APPROVED:	CHECKED:	TITLE: C-FOLD 465 W/O INSERT
CAD FILE NO: DC45691	PART NO: EQ3-----	DRW. NO: DC3E4569	DESIGN