

**Features and Benefits**

- Superior thermal performance
- 6.0W/m-K thermal conductivity
- Electrically isolating
- RoHS compliant
- Halogen-free



**Typical Applications**

- Notebook Computers
- Handheld Portable Electronics
- Micro Heat Pipe assemblies
- Micro Processors, Memory Chips and Graphic Processors
- Motor Control
- Wireless Communication Hardware

**Optional Configurations**

- Fibreglass reinforcements are recommended for  $\leq 0.03"$
- Adhesive coating are optional
- Can be die-cut into other dimensions

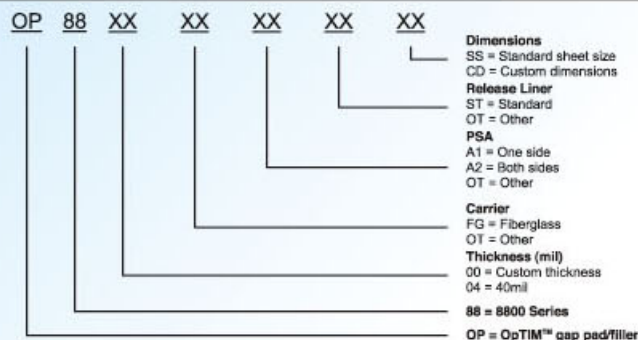
The proprietary boron nitride formula of OP-8800 offers superior thermal performance with moderate compressibility.

This thermal conductive gap filler is electrically non-conductive and stable from  $-40\sim 200^{\circ}\text{C}$ . Its RoHS compliant and halogen-free status makes it an ideal gap filler for hazardous substance sensitive applications.

Properties	OP-8800 Series	Test Method
Construction & Composition	Boron nitride filled silicone elastomer	—
Color	Yellow	Visual
Thickness Range /inch (mm)	0.01"~0.20" (0.254~5.08) in 0.01" (0.254) increments	—
Standard Sheet Size	9" x 9"	—
Density /g.cm <sup>3</sup>	1.40	—
Hardness /Shore 00	70	ASTM D2240
Tensile Strength /psi	52	ASTM D412
UL Flammability Rating	UL94 HB	E313523
Temperature Range /°C	-40°C~200°C	—
Thermal Conductivity /W.m <sup>-1</sup> .K <sup>-1</sup>	6.0	ASTM D5470 (modified)
Breakdown Voltage /V	>3000 (Thickness $\leq 0.02"$ ) >5000 (Thickness = 0.03~0.05") >6000 (Thickness $\geq 0.06"$ )	ASTM D149
Volume Resistivity /ohm.cm	$4.1 \times 10^{13}$	ASTM D257
Dielectric Constant @ 1MHz	3.5	ASTM D150

Please contact us for other special requirements

**Product Code and Descriptions**



**SEM (North America) Inc.**

Tel: +1 585-643-2000  
 Fax: +1 585-427-7216  
 Address: 806 Linden Avenue, Suite 100 (14625),  
 P.O. Box 20310, Rochester, NY 14602-0310

**SEM Belgium bvba**

+32 59 560 270  
 +32 59 560 271  
 Slijpesteenweg 28,  
 8432 Middelkerke (Leffinge), Belgium

**SEM (Far East) Ltd.**

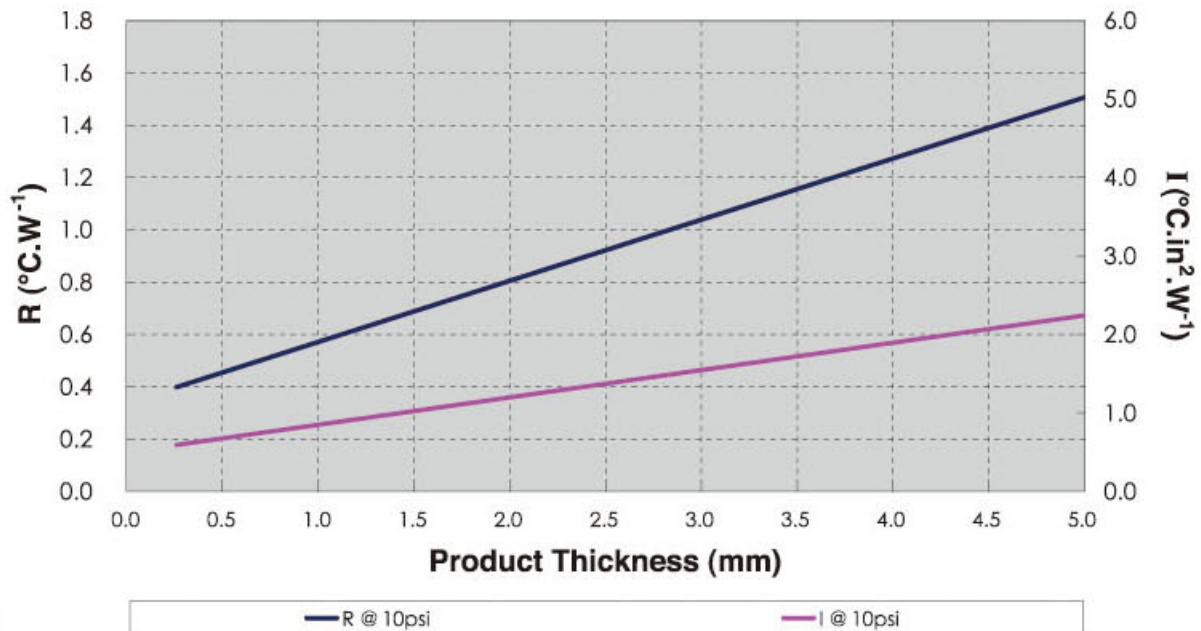
+852 2686 9872  
 +852 2686 9728  
 Unit 3, 3/F, Blk A, New Trade Plaza,  
 No. 6 On Ping St., Shatin, N.T., Hong Kong.

**SEM (Dongguan) Ltd.**

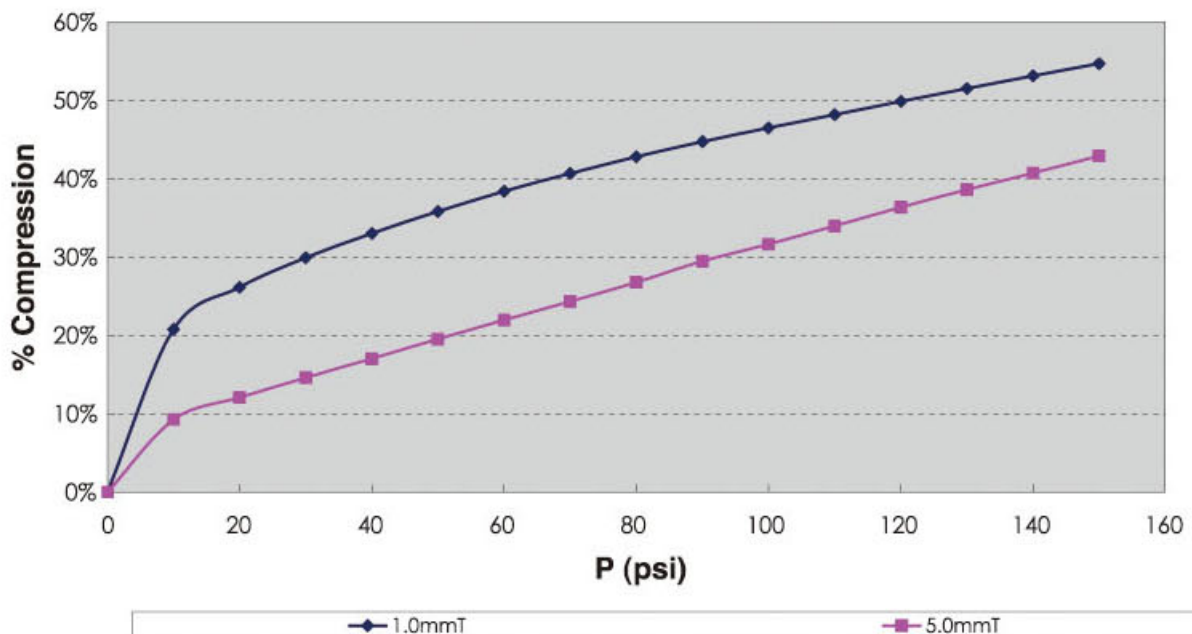
+86-769-8356 5686  
 +86-769-8334 2028  
 No.8 Qiaoxin Rd., Qiaotou Dongguan,  
 Guangdong, China, 523525.

Specifications and appearances may change without notice. All statements, technical information and recommendations herein are based on tests that we believed to be reliable, but the accuracy and completeness are not guaranteed. Before using, user should determine the suitability of the product for its intended use, and the user assumes all risks and liabilities whatsoever in connection therewith. Neither the seller nor the manufacturer shall be liable for any loss or damage, direct, incidental or consequential, including loss of profits or revenues arising from the use or inability to use the product. Any statements or recommendations shall have no effect unless contained in an agreement signed by authorized personnel of the seller and manufacturer.

**Thermal Resistance & Impedance of OP-8800 (10psi)**



**% Compression – OP-8800**



**SEM (North America) Inc.**

Tel: +1 585-643-2000  
 Fax: +1 585-427-7216  
 Address: 806 Linden Avenue, Suite 100 (14625),  
 P.O. Box 20310, Rochester, NY 14602-0310

**SEM Belgium bvba**

+32 59 560 270  
 +32 59 560 271  
 Slijpesteenweg 28,  
 8432 Middelkerke (Leffinge), Belgium

**SEM (Far East) Ltd.**

+852 2686 9872  
 +852 2686 9728  
 Unit 3, 3/F, B1k A, New Trade Plaza,  
 No. 6 On Ping St., Shatin, N.T., Hong Kong.

**SEM (Dongguan) Ltd.**

+86-769-8356 5686  
 +86-769-8334 2028  
 No.8 Qiaoxin Rd., Qiaotou Dongguan,  
 Guangdong, China, 523525.

Specifications and appearances may change without notice. All statements, technical information and recommendations herein are based on tests that we believed to be reliable, but the accuracy and completeness are not guaranteed. Before using, user should determine the suitability of the product for its intended use, and the user assumes all risks and liabilities whatsoever in connection therewith. Neither the seller nor the manufacturer shall be liable for any loss or damage, direct, incidental or consequential, including loss of profits or revenues arising from the use or inability to use the product. Any statements or recommendations shall have no effect unless contained in an agreement signed by authorized personnel of the seller and manufacturer.