

Features and Benefits

- 3.2W/m-K thermal conductivity
- Good conformability
- Naturally tacky
- Electrically isolating
- RoHS compliant
- Halogen-free



Typical Applications

- Cooling component to the chassis, frame, or other type of heat spreader
- Mass storage device
- Heat pipe assemblies
- RDRAM memory modules
- Motor control
- Telecommunication hardware

Optional Configurations

- Fibreglass reinforcements are recommended for $\leq 0.03''$
- Adhesive coating are optional
- Can be die-cut into specific dimensions

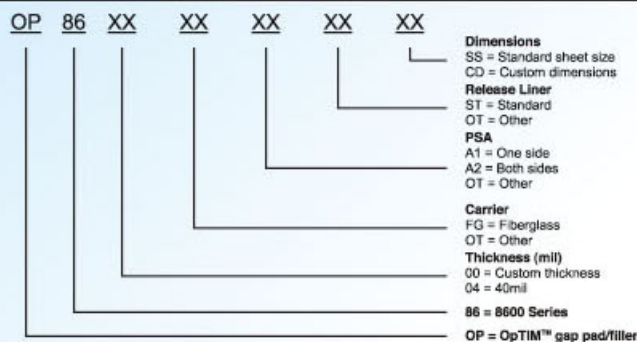
OP-8600 is a high performance thermal gap filler with good conformability. It is effective in blanketing uneven surfaces while transferring heat from the heat source to the cooling component.

It is electrically non-conductive and naturally tacky. Additional adhesive is generally not required.

Properties	OP-8600 Series	Test Method
Construction & Composition	Soft silicone elastomer	—
Color	Pink	Visual
Thickness Range /inch (mm)	0.02"~0.20" (0.508~5.08) in 0.01" (0.254) increments	—
Standard Sheet Size	9" x 9"	—
Density /g.cm ³	1.32	—
Hardness /Shore 00	45	ASTM D2240
Tensile Strength /psi	34	ASTM D412
UL Flammability Rating	UL94 HB	E313523
Temperature Range /°C	-40~200°C	—
Thermal Conductivity W.m ⁻¹ .K ⁻¹	3.2	ASTM D5470 (modified)
Breakdown Voltage /V	>3000 (Thickness $\leq 0.02''$) >5000 (Thickness = 0.03~0.04'') >6000 (Thickness $\geq 0.05''$)	ASTM D149
Volume Resistivity /ohm.cm	3.0×10^{13}	ASTM D257
Dielectric Constant @ 1MHz	3.3	ASTM D150

Please contact us for other special requirements

Product Code and Descriptions



SEM (North America) Inc.

Tel: +1 585-643-2000
 Fax: +1 585-427-7216
 Address: 806 Linden Avenue, Suite 100 (14625),
 P.O. Box 20310, Rochester, NY 14602-0310

SEM Belgium bvba

+32 59 560 270
 +32 59 560 271
 Slijpesteenweg 28,
 8432 Middelkerke (Leffinge), Belgium

SEM (Far East) Ltd.

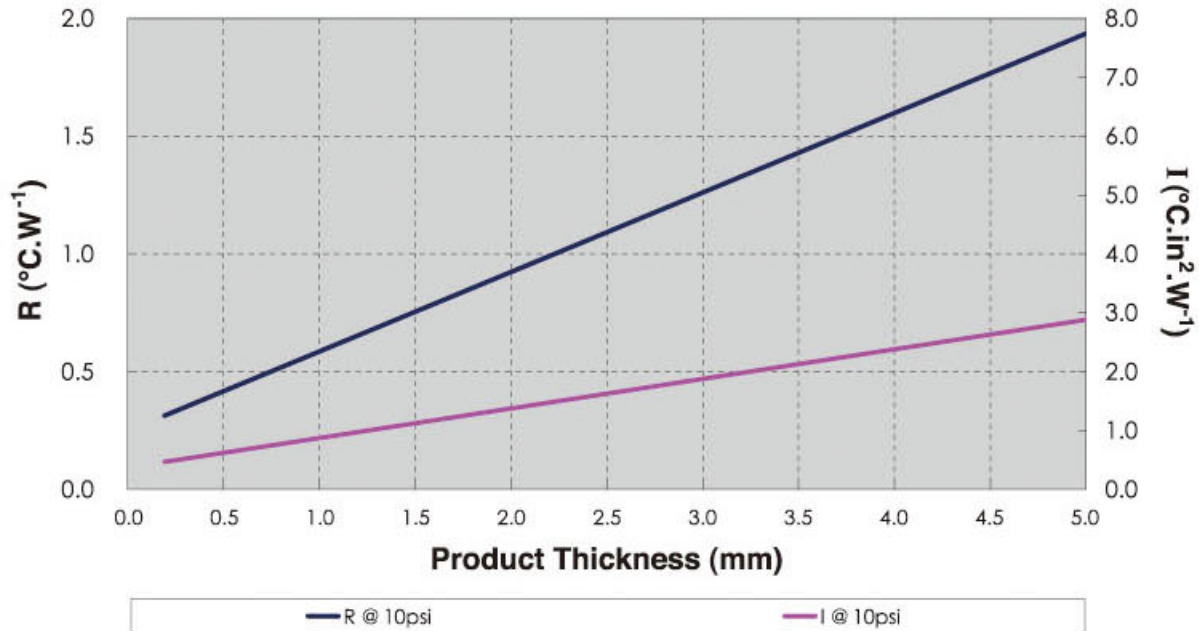
+852 2686 9872
 +852 2686 9728
 Unit 3, 3/F, Blk A, New Trade Plaza,
 No. 6 On Ping St., Shatin, N.T., Hong Kong.

SEM (Dongguan) Ltd.

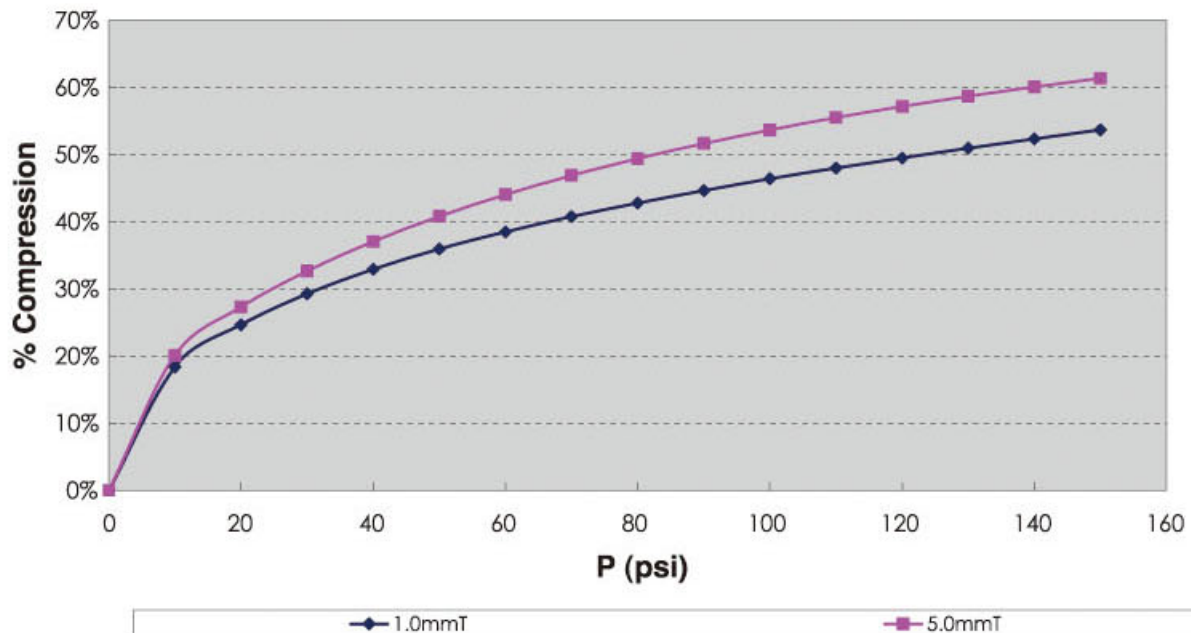
+86-769-8356 5686
 +86-769-8334 2028
 No.8 Qiaoxin Rd., Qiaotou Dongguan,
 Guangdong, China, 523525.

Specifications and appearances may change without notice. All statements, technical information and recommendations herein are based on tests that we believed to be reliable, but the accuracy and completeness are not guaranteed. Before using, user should determine the suitability of the product for its intended use, and the user assumes all risks and liabilities whatsoever in connection therewith. Neither the seller nor the manufacturer shall be liable for any loss or damage, direct, incidental or consequential, including loss of profits or revenues arising from the use or inability to use the product. Any statements or recommendations shall have no effect unless contained in an agreement signed by authorized personnel of the seller and manufacturer.

Thermal Resistance & Impedance of OP-8600 (10psi)



% Compression – OP-8600



SEM (North America) Inc.

Tel: +1 585-643-2000
 Fax: +1 585-427-7216
 Address: 806 Linden Avenue, Suite 100 (14625),
 P.O. Box 20310, Rochester, NY 14602-0310

SEM Belgium bvba

+32 59 560 270
 +32 59 560 271
 Slijpesteenweg 28,
 8432 Middelkerke (Leffinge), Belgium

SEM (Far East) Ltd.

+852 2686 9872
 +852 2686 9728
 Unit 3, 3/F, Blk A, New Trade Plaza,
 No. 6 On Ping St., Shatin, N.T., Hong Kong.

SEM (Dongguan) Ltd.

+86-769-8356 5686
 +86-769-8334 2028
 No.8 Qiaoxin Rd., Qiaotou Dongguan,
 Guangdong, China, 523525.

Specifications and appearances may change without notice. All statements, technical information and recommendations herein are based on tests that we believed to be reliable, but the accuracy and completeness are not guaranteed. Before using, user should determine the suitability of the product for its intended use, and the user assumes all risks and liabilities whatsoever in connection therewith. Neither the seller nor the manufacturer shall be liable for any loss or damage, direct, incidental or consequential, including loss of profits or revenues arising from the use or inability to use the product. Any statements or recommendations shall have no effect unless contained in an agreement signed by authorized personnel of the seller and manufacturer.