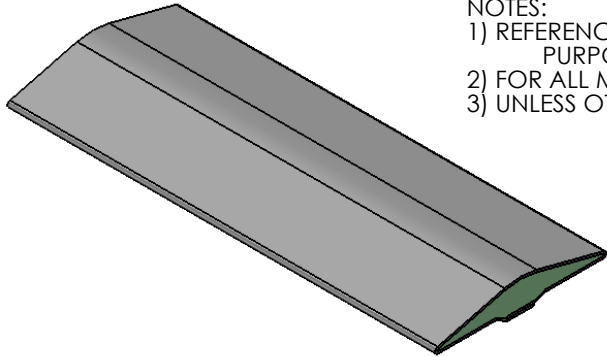


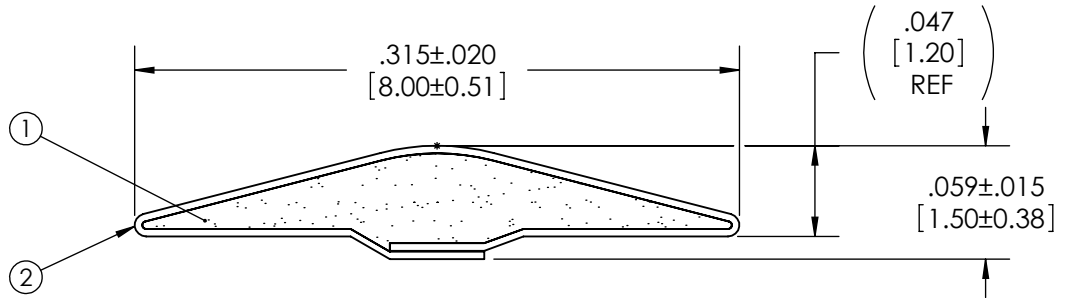
Revisions			
Level		Date	By
(A)	REV TO SOLIDWORKS	4/5/10	BEP
(B)			
(C)			
(D)			

ROCHESTER DIVISION PRODUCT PRINT

The information disclosed in this drawing is confidential and the property of Schlegel Electronic Materials, INC. The use, disclosure, or reproduction of this information and related know-how is prohibited without written permission from Schlegel Electronic Materials, INC.



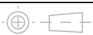
- NOTES:
 1) REFERENCE DIMENSIONS (REF) HAVE NO TOLERANCE AND ARE FOR INFORMATIVE PURPOSES ONLY.
 2) FOR ALL MISSING DIMENSIONS 3D CAD FILES SHOULD BE USED.
 3) UNLESS OTHERWISE SPECIFIED INTERPRET TOLERANCES ACCORDING TO ISO 2768C.



TOLERANCES

Profile thickness: $\pm .015$ " (0.38mm)
 Profile width: $\pm .020$ " (0.51mm)

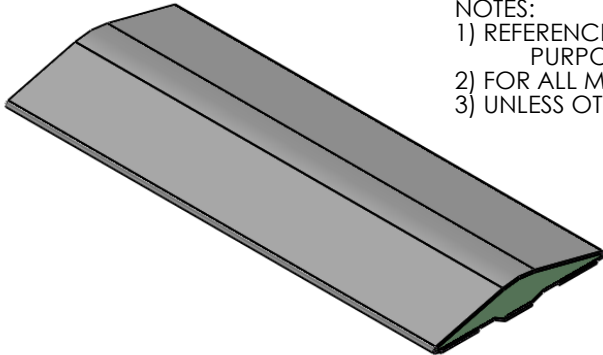
SCALE 1:1

DIMS: MILLIMETERS <input checked="" type="checkbox"/> INCHES <input checked="" type="checkbox"/>				(4)		
PDR NO.:				(3)		
CUSTOMER NAME:				(2)	SEE B.O.M.	CONDUCTIVE FABRIC
CUST DWG NO.:				(1)	SEE B.O.M.	URETHANE FOAM
SIZE	Date	1/29/2010				
A	SHEET 1 OF 2		Item No.	RM Number	Material Description	
SCALE: 10:1	Approved By			Drawn By	WEI	
Title		1.5mm x 8mm D-SHAPE EMI				
Cad File No.	CC87631A	Part No.	EY4xxXXXXXX	Dwg. No.	CC3E8763	Rev. A

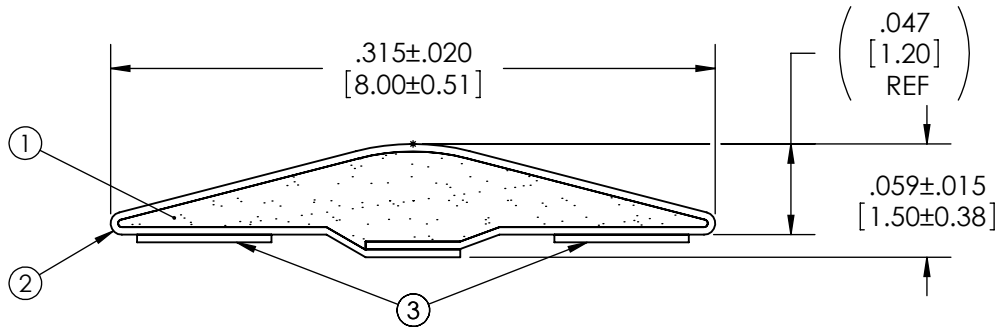
Revisions			
Level		Date	By
(A)	REV TO SOLIDWORKS	4/5/10	BEP
(B)			
(C)			
(D)			

ROCHESTER DIVISION PRODUCT PRINT

The information disclosed in this drawing is confidential and the property of Schlegel Electronic Materials, INC. The use, disclosure, or reproduction of this information and related know-how is prohibited without written permission from Schlegel Electronic Materials, INC.



- NOTES:
 1) REFERENCE DIMENSIONS (REF) HAVE NO TOLERANCE AND ARE FOR INFORMATIVE PURPOSES ONLY.
 2) FOR ALL MISSING DIMENSIONS 3D CAD FILES SHOULD BE USED.
 3) UNLESS OTHERWISE SPECIFIED INTERPRET TOLERANCES ACCORDING TO ISO 2768C.



TOLERANCES

Profile thickness: $\pm .015$ " (0.38mm)
 Profile width: $\pm .020$ " (0.51mm)

SCALE 1:1

DIMS: MILLIMETERS <input checked="" type="checkbox"/> INCHES <input checked="" type="checkbox"/>		<input checked="" type="checkbox"/> <input type="checkbox"/>		(4)		
PDR NO.:		(3)	SEE B.O.M.	PSA .070" WIDE (UNLESS OTHERWISE SPECIFIED)		
CUSTOMER NAME:		(2)	SEE B.O.M.	CONDUCTIVE FABRIC		
CUST DWG NO.:		(1)	SEE B.O.M.	URETHANE FOAM		
SIZE A	Date 1/29/2010	Item No.	RM Number	Material Description		
SCALE: 10:1		Approved By	Drawn By WEI	Title 1.5mm x 8mm D-SHAPE EMI		
Cad File No. CC87631A	Part No. EY4xx2Txxxx	Dwg. No. CC3E8763	Rev. A			