

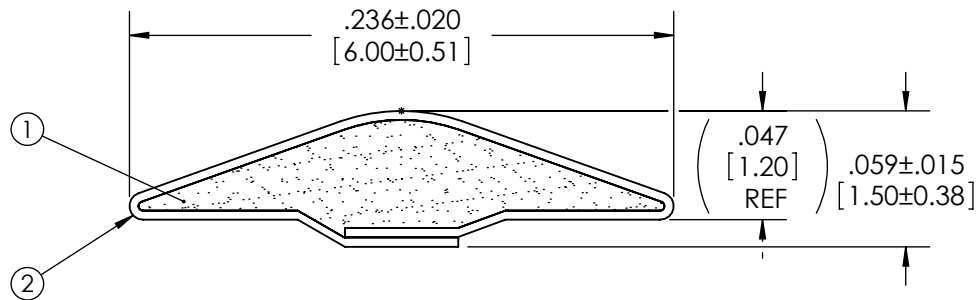
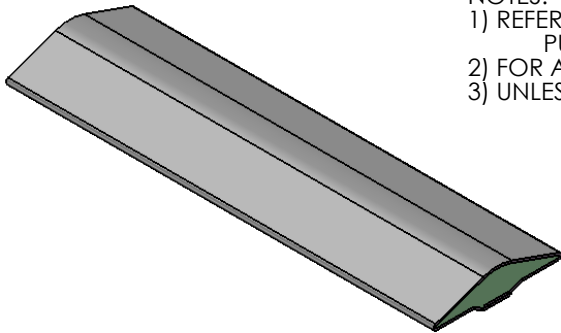
Level		Date	By
(A)	REV TO SOLIDWORKS	4/5/10	BEP
(B)			
(C)			
(D)			

ROCHESTER DIVISION PRODUCT PRINT

The information disclosed in this drawing is confidential and the property of Schlegel Electronic Materials, INC. The use, disclosure, or reproduction of this information and related know-how is prohibited without written permission from Schlegel Electronic Materials, INC.

NOTES:


- 1) REFERENCE DIMENSIONS (REF) HAVE NO TOLERANCE AND ARE FOR INFORMATIVE PURPOSES ONLY.
- 2) FOR ALL MISSING DIMENSIONS 3D CAD FILES SHOULD BE USED.
- 3) UNLESS OTHERWISE SPECIFIED INTERPRET TOLERANCES ACCORDING TO ISO 2768C.



TOLERANCES

Profile thickness: $\pm .015$ " (0.38mm)
 Profile width: $\pm .020$ " (0.51mm)

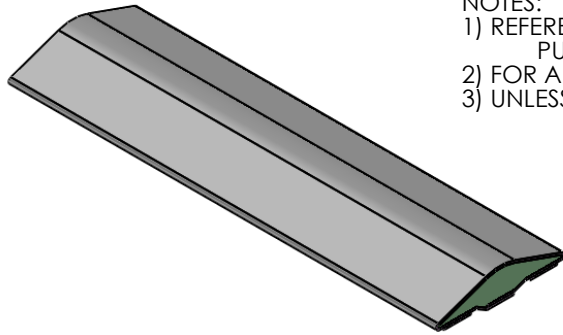
SCALE 1:1

DIMS: MILLIMETERS <input checked="" type="checkbox"/> INCHES <input checked="" type="checkbox"/>				(4)		
PDR NO.:				(3)		
CUSTOMER NAME:				(2)	SEE B.O.M.	CONDUCTIVE FABRIC
CUST DWG NO.:				(1)	SEE B.O.M.	URETHANE FOAM
SIZE	Date	1/29/2010		Item No.		Material Description
A	SHEET 1 OF 2		RM Number			
SCALE:	12:1	Approved By	Drawn By WEI		Title 1.5mm x 6mm D-SHAPE EMI	
Cad File No.	CC87611A	Part No.	EY3xxXxxxxx		Dwg. No.	CC3E8761
						Rev. A

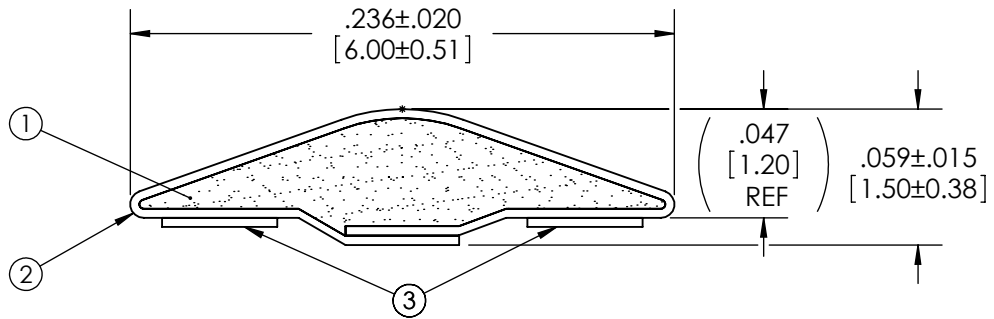
Level		Date	By
(A)	REV TO SOLIDWORKS	4/5/10	BEP
(B)			
(C)			
(D)			

ROCHESTER DIVISION PRODUCT PRINT

The information disclosed in this drawing is confidential and the property of Schlegel Electronic Materials, INC. The use, disclosure, or reproduction of this information and related know-how is prohibited without written permission from Schlegel Electronic Materials, INC.



- NOTES:
 1) REFERENCE DIMENSIONS (REF) HAVE NO TOLERANCE AND ARE FOR INFORMATIVE PURPOSES ONLY.
 2) FOR ALL MISSING DIMENSIONS 3D CAD FILES SHOULD BE USED.
 3) UNLESS OTHERWISE SPECIFIED INTERPRET TOLERANCES ACCORDING TO ISO 2768C.



TOLERANCES

Profile thickness: $\pm .015$ " (0.38mm)
 Profile width: $\pm .020$ " (0.51mm)

SCALE 1:1

DIMS: MILLIMETERS <input checked="" type="checkbox"/> INCHES <input checked="" type="checkbox"/>		<input checked="" type="checkbox"/> <input type="checkbox"/>		(4)		
PDR NO.:		(3)		SEE B.O.M.	PSA .050" WIDE (UNLESS OTHERWISE SPECIFIED)	
CUSTOMER NAME:		(2)		SEE B.O.M.	CONDUCTIVE FABRIC	
CUST DWG NO.:		(1)		SEE B.O.M.	URETHANE FOAM	
SIZE	Date	SHEET 2 OF 2		Item No.	RM Number	Material Description
A	1/29/2010					
SCALE:	12:1	Approved By		Drawn By	WEI	Title
Cad File No.	CC87611A	Part No.	EY3xx2Txxxx	Dwg. No.	CC3E8761	Rev. A