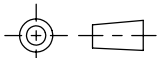
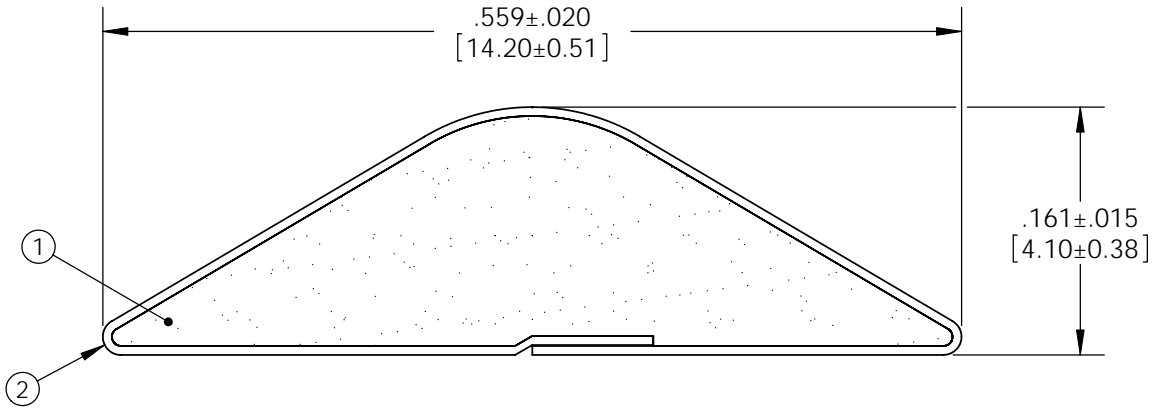
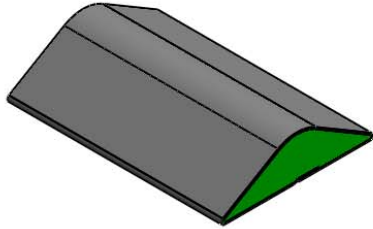


Level		Date	By
(A)	REV TO SOLIDWORKS	11/19/09	BEP
(B)			
(C)			
(D)			

ROCHESTER DIVISION PRODUCT PRINT

The information disclosed in this drawing is confidential and the property of Schlegel Electronic Materials, INC. The use, disclosure, or reproduction of this information and related know-how is prohibited without written permission from Schlegel Electronic Materials, INC.



TOLERANCES  
 Profile thickness:  $\pm 0.015$ " (0.38mm)  
 Profile width:  $\pm 0.020$ " (0.51mm)



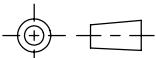
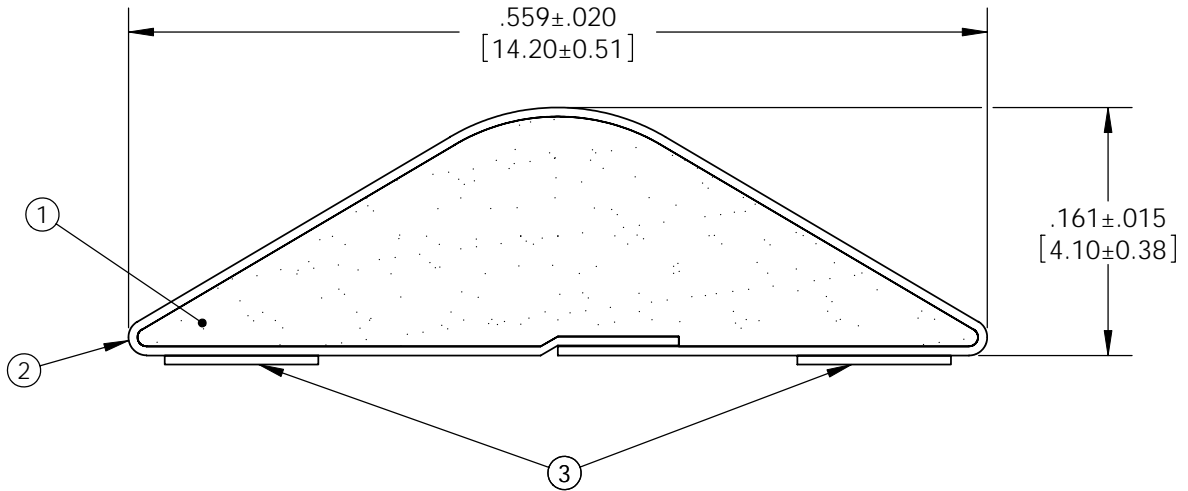
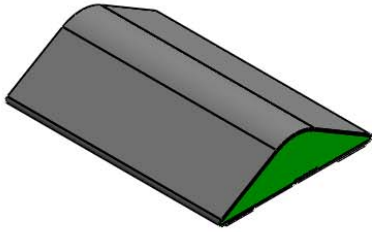
SCALE 1:1

PDR NO.:	(4)		
QUOTE NO.:	(3)		
CUSTOMER NAME:	(2)	SEE B.O.M.	CONDUCTIVE FABRIC
CUST DWG NO.:	(1)	SEE B.O.M.	URETHANE FOAM
SIZE A	Date	11/19/2009	
SHEET 1 OF 3		Item No.	Material Description
SCALE: 6:1	Approved By	Drawn By WEI	Title 4.1mm x 14.2mm D-SHAPE EMI
Cad File No. CC87261A	Part No. EX5xxXxxxx	Dwg. No. CC3E8726	Rev. A

Revisions			
Level		Date	By
(A)	REV TO SOLIDWORKS	11/19/09	BEP
(B)			
(C)			
(D)			

ROCHESTER DIVISION PRODUCT PRINT

The information disclosed in this drawing is confidential and the property of Schlegel Electronic Materials, INC. The use, disclosure, or reproduction of this information and related know-how is prohibited without written permission from Schlegel Electronic Materials, INC.



TOLERANCES

Profile thickness:  $\pm .015$ " (0.38mm)  
 Profile width:  $\pm .020$ " (0.51mm)



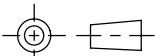
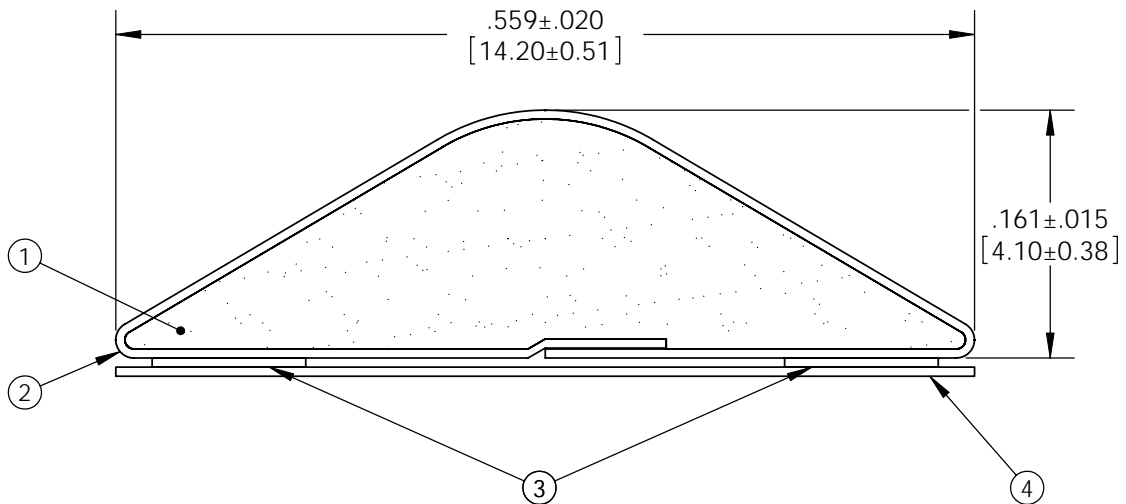
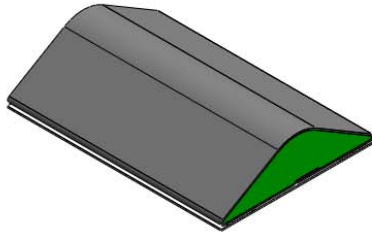
SCALE 1:1

PDR NO.:	(4)		
QUOTE NO.:	(3)	SEE B.O.M.	PSA .100" WIDE (UNLESS OTHERWISE SPECIFIED)
CUSTOMER NAME:	(2)	SEE B.O.M.	CONDUCTIVE FABRIC
CUST DWG NO.:	(1)	SEE B.O.M.	URETHANE FOAM
SIZE A	Date	11/19/2009	
SHEET 2 OF 3		Item No.	Material Description
SCALE: 6:1	Approved By	Drawn By WEI	Title 4.1mm x 14.2mm D-SHAPE EMI
Cad File No. CC87261A	Part No. EX5xx2Txxxx	Dwg. No. CC3E8726	Rev. A

Revisions			
Level		Date	By
(A)	REV TO SOLIDWORKS	11/19/09	BEP
(B)			
(C)			
(D)			

ROCHESTER DIVISION PRODUCT PRINT

The information disclosed in this drawing is confidential and the property of Schlegel Electronic Materials, INC. The use, disclosure, or reproduction of this information and related know-how is prohibited without written permission from Schlegel Electronic Materials, INC.



TOLERANCES

Profile thickness:  $\pm 0.015$ " (0.38mm)  
 Profile width:  $\pm 0.020$ " (0.51mm)



SCALE 1:1

PDR NO.:	(4)	SEE B.O.M.	RELEASE LINER 14.2mm WIDE (UNLESS OTHERWISE SPECIFIED)
QUOTE NO.:	(3)	SEE B.O.M.	PSA .100" WIDE (UNLESS OTHERWISE SPECIFIED)
CUSTOMER NAME:	(2)	SEE B.O.M.	CONDUCTIVE FABRIC
CUST DWG NO.:	(1)	SEE B.O.M.	URETHANE FOAM
SIZE A	Date	11/19/2009	
SHEET 3 OF 3		Item No.	Material Description
SCALE: 6:1	Approved By	Drawn By WEI	Title 4.1mm x 14.2mm D-SHAPE EMI
Cad File No. CC87261A	Part No. EX5xxZxxxxx	Dwg. No. CC3E8726	Rev. A