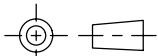
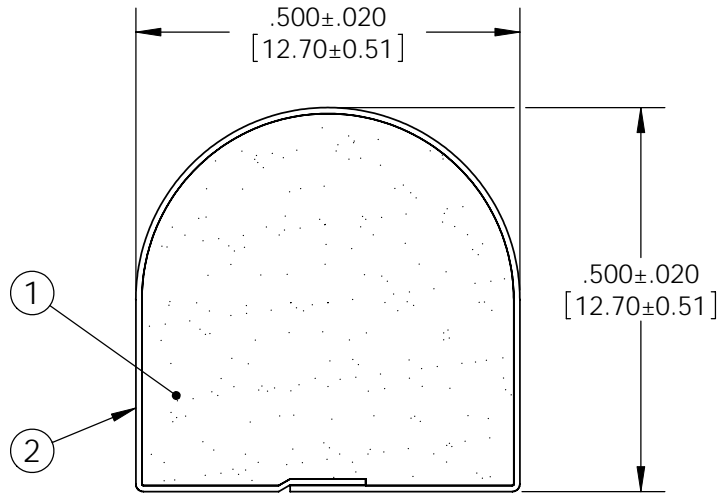
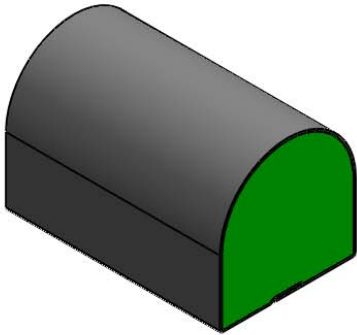


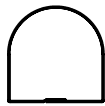
Level	Date	By
(A)		
(B)		
(C)		
(D)		

ROCHESTER DIVISION PRODUCT PRINT

The information disclosed in this drawing is confidential and the property of Schlegel Electronic Materials, INC. The use, disclosure, or reproduction of this information and related know-how is prohibited without written permission from Schlegel Electronic Materials, INC.



TOLERANCES
 Profile thickness: ±.020" (0.51mm)
 Profile width: ±.020" (0.51mm)



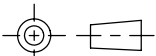
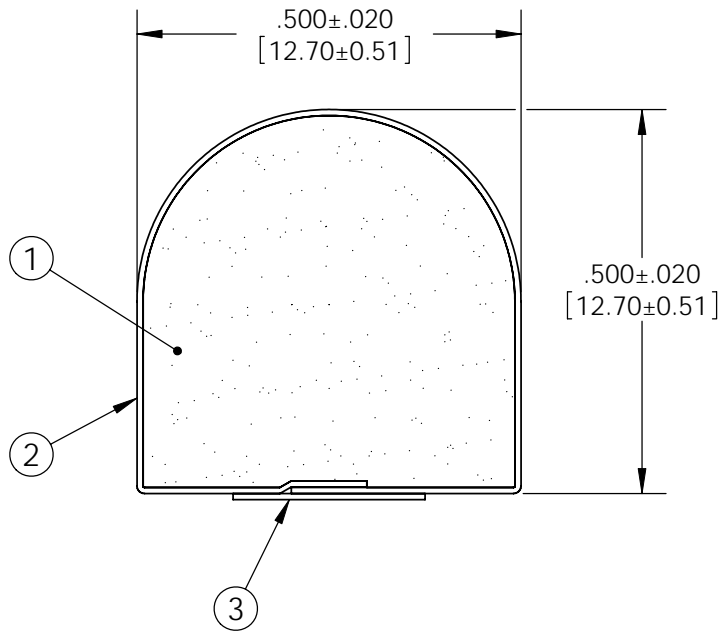
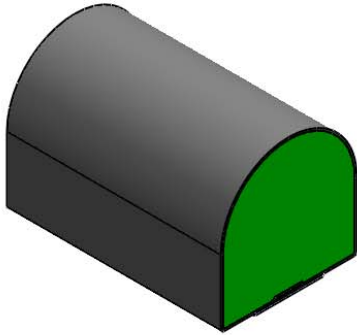
SCALE 1:1

PDR NO.:	(4)		
QUOTE NO.:	(3)		
CUSTOMER NAME:	(2)	SEE B.O.M.	CONDUCTIVE FABRIC
CUST DWG NO.:	(1)	SEE B.O.M.	URETHANE FOAM
DATE	11/12/2009		
SIZE A	SHEET 1 OF 2	Item No.	Material Description
SCALE: 4:1	Approved By	Drawn By: BEP	Title: 12.7mm x 12.7mm D-SHAPE EMI
Cad File No. DC48721	Part No. EX4xxXxxxxx	Dwg. No. DC3E4872	Rev.

Level	Date	By
(A)		
(B)		
(C)		
(D)		

ROCHESTER DIVISION PRODUCT PRINT

The information disclosed in this drawing is confidential and the property of Schlegel Electronic Materials, INC. The use, disclosure, or reproduction of this information and related know-how is prohibited without written permission from Schlegel Electronic Materials, INC.



TOLERANCES
 Profile thickness: ±.020" (0.51mm)
 Profile width: ±.020" (0.51mm)



SCALE 1:1

PDR NO.:	(4)		
QUOTE NO.:	(3)	SEE B.O.M	PSA .250" WIDE (UNLESS OTHERWISE SPECIFIED)
CUSTOMER NAME:	(2)	SEE B.O.M.	CONDUCTIVE FABRIC
CUST DWG NO.:	(1)	SEE B.O.M.	URETHANE FOAM
SIZE A	Date	11/12/2009	
SHEET 2 OF 2		Item No.	Material Description
SCALE: 4:1	Approved By	Drawn By	BEP
Title		12.7mm x 12.7mm D-SHAPE EMI	
Cad File No.	DC48721	Part No.	EX4xxTxxxxx
Dwg. No.	DC3E4872	Rev.	