

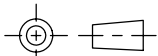
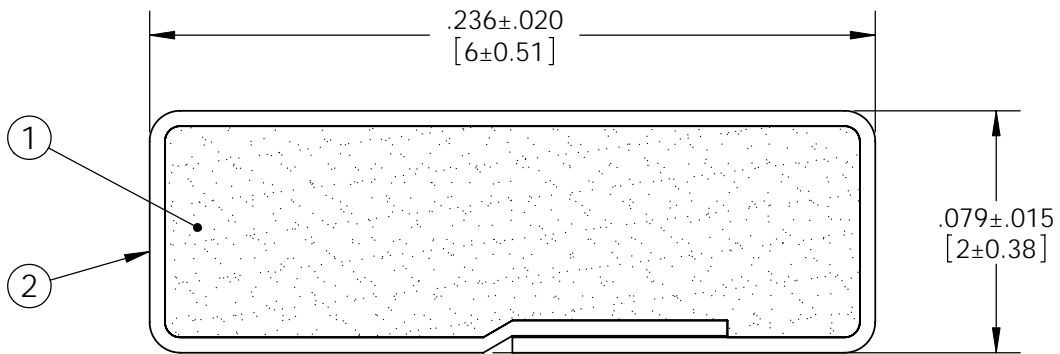
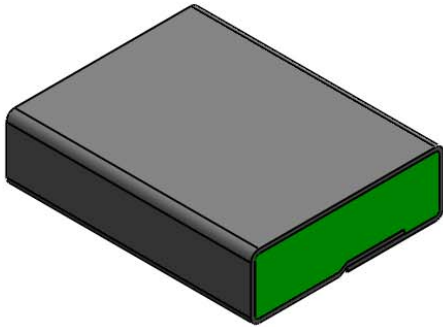


Revisions

Level	Date	By
(A)		
(B)		
(C)		
(D)		

ROCHESTER DIVISION PRODUCT PRINT

The information disclosed in this drawing is confidential and the property of Schlegel Electronic Materials, INC. The use, disclosure, or reproduction of this information and related know-how is prohibited without written permission from Schlegel Electronic Materials, INC.



TOLERANCES

Profile thickness:  $\pm .015$ " (0.38mm)  
 Profile width:  $\pm .020$ " (0.51mm)



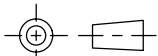
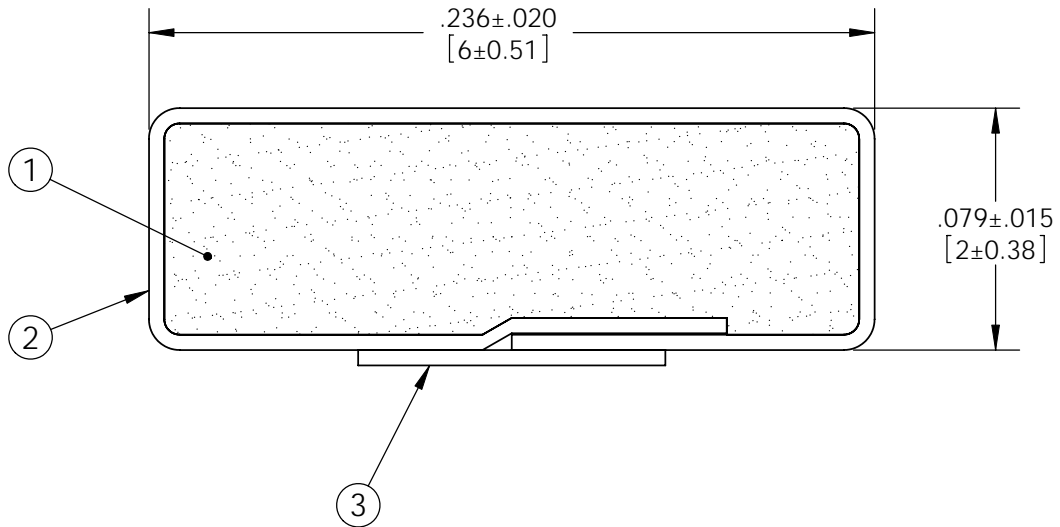
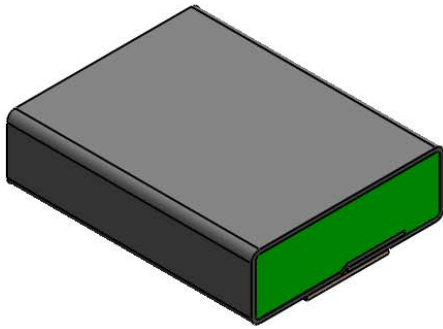
SCALE 1:1

PDR NO.:	(4)		
QUOTE NO.:	(3)		
CUSTOMER NAME:	(2)	SEE B.O.M.	CONDUCTIVE FABRIC
CUST DWG NO.:	(1)	SEE B.O.M.	URETHANE FOAM
DATE: 11/2/2009			
SIZE A			
SHEET 1 OF 2		Item No.	Material Description
SCALE: 10:1	Approved By	Drawn By: BEP	Title: 2mm x 6mm EMI
Cad File No. DC48611	Part No. EW9xxXXXXX	Dwg. No. DC3E4861	Rev.

Level	Date	By
(A)		
(B)		
(C)		
(D)		

ROCHESTER DIVISION PRODUCT PRINT

The information disclosed in this drawing is confidential and the property of Schlegel Electronic Materials, INC. The use, disclosure, or reproduction of this information and related know-how is prohibited without written permission from Schlegel Electronic Materials, INC.



TOLERANCES

Profile thickness:  $\pm 0.015$ " (0.38mm)  
 Profile width:  $\pm 0.020$ " (0.51mm)



SCALE 1:1

PDR NO.:	(4)		
QUOTE NO.:	(3)	SEE B.O.M.	PSA .100" WIDE (UNLESS OTHERWISE SPECIFIED)
CUSTOMER NAME:	(2)	SEE B.O.M.	CONDUCTIVE FABRIC
CUST DWG NO.:	(1)	SEE B.O.M.	URETHANE FOAM
SIZE A	Date	11/2/2009	
SHEET 2 OF 2		Item No.	Material Description
SCALE: 10:1	Approved By	Drawn By: BEP	Title: 2mm x 6mm EMI
Cad File No. DC48611	Part No. EW9xxTxxxxx	Dwg. No. DC3E4861	Rev.