

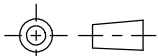
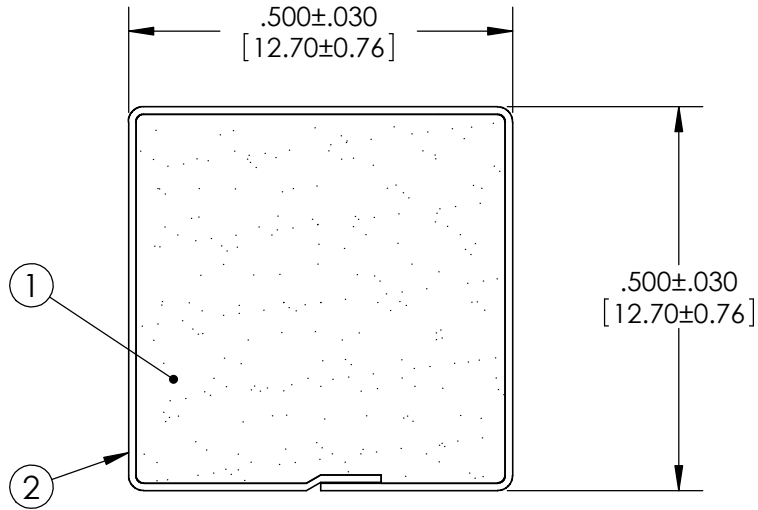
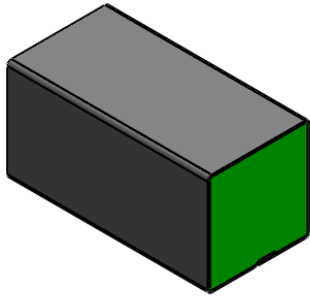


Revisions

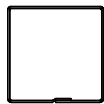
Level	Date	By
(A)		
(B)		
(C)		
(D)		

ROCHESTER DIVISION PRODUCT PRINT

The information disclosed in this drawing is confidential and the property of Schlegel Electronic Materials, INC. The use, disclosure, or reproduction of this information and related know-how is prohibited without written permission from Schlegel Electronic Materials, INC.



TOLERANCES
 Profile thickness: $\pm.030$ " (0.76mm)
 Profile width: $\pm.030$ " (0.76mm)



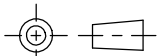
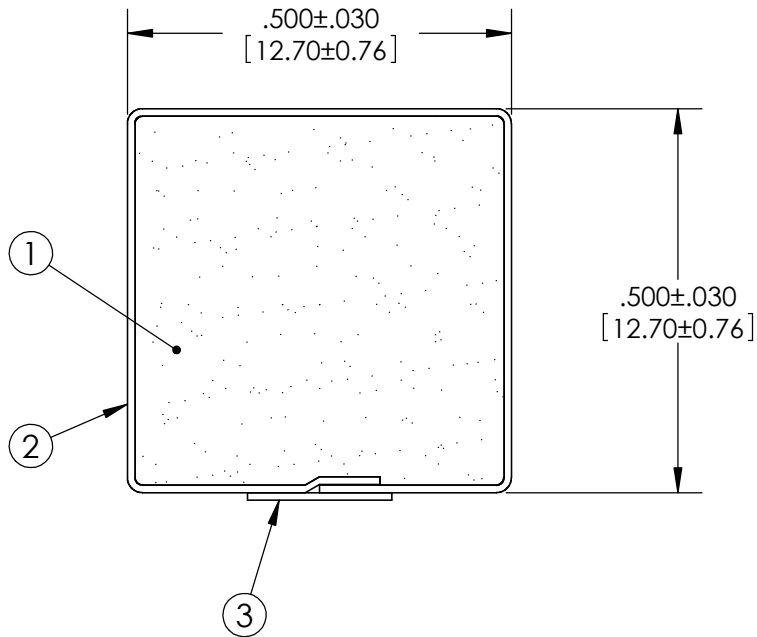
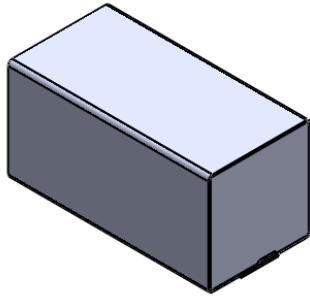
SCALE 1:1

PDR NO.:	(4)		
QUOTE NO.:	(3)		
CUSTOMER NAME:	(2)	SEE B.O.M.	CONDUCTIVE FABRIC
CUST DWG NO.:	(1)	SEE B.O.M.	URETHANE FOAM
SIZE A	Date	9/1/2009	
	SHEET 1 OF 2		
	Item No.	RM Number	Material Description
SCALE: 4:1	Approved By	Drawn By: BEP	Title: 12.7mm x 12.7mm EMI
Cad File No. DC48381	Part No. EW7	Dwg. No. DC3E4838	Rev.

Level	Date	By
(A)		
(B)		
(C)		
(D)		

ROCHESTER DIVISION PRODUCT PRINT

The information disclosed in this drawing is confidential and the property of Schlegel Electronic Materials, INC. The use, disclosure, or reproduction of this information and related know-how is prohibited without written permission from Schlegel Electronic Materials, INC.



TOLERANCES
 Profile thickness: $\pm.030$ " (0.76mm)
 Profile width: $\pm.030$ " (0.76mm)



SCALE 1:1

PDR NO.:	(4)		
QUOTE NO.:	(3)	SEE B.O.M.	PSA .188" WIDE (UNLESS OTHERWISE SPECIFIED)
CUSTOMER NAME:	(2)	SEE B.O.M.	CONDUCTIVE FABRIC
CUST DWG NO.:	(1)	SEE B.O.M.	URETHANE FOAM
SIZE	Date	9/1/2009	
A	SHEET 2 OF 2		Material Description
SCALE: 4:1	Approved By	Drawn By: BEP	Title: 12.7mm x 12.7mm EMI
Cad File No. DC48381	Part No. EW7	Dwg. No. DC3E4838	Rev.