

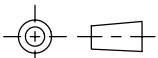
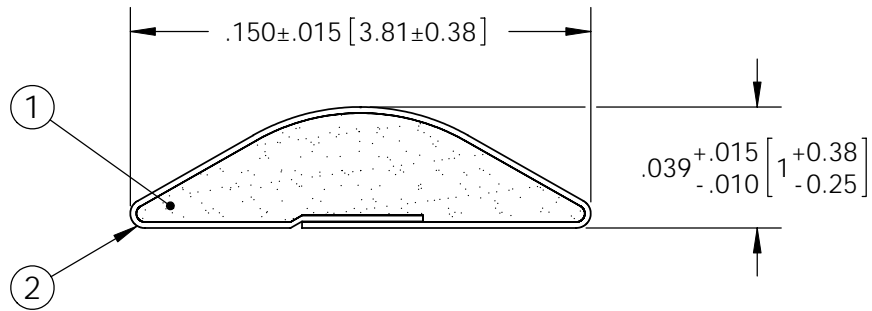
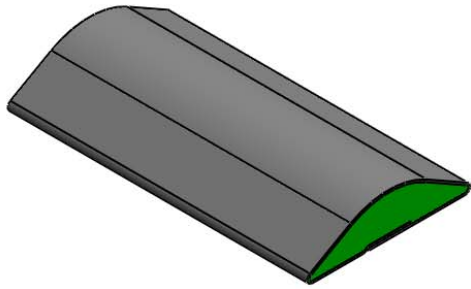


Revisions

Level		Date	By
(A)	REV TO SOLIDWORKS	8/17/09	BEP
(B)			
(C)			
(D)			

ROCHESTER DIVISION PRODUCT PRINT

The information disclosed in this drawing is confidential and the property of Schlegel Electronic Materials, INC. The use, disclosure, or reproduction of this information and related know-how is prohibited without written permission from Schlegel Electronic Materials, INC.



TOLERANCES

Profile thickness: $+0.015''$ (0.38mm)
 $-0.010''$ (0.25mm)
 Profile width: $\pm 0.015''$ (0.38mm)

SCALE 1:1

PDR NO.:	(4)		
QUOTE NO.:	(3)		
CUSTOMER NAME:	(2)	SEE B.O.M.	CONDUCTIVE FABRIC
CUST DWG NO.:	(1)	SEE B.O.M.	URETHANE FOAM
DATE	12/17/2008		
SIZE A	SHEET 1 OF 2	Item No.	Material Description
SCALE: 10:1	Approved By	Drawn By PING	Title 1mm x 3.8mm D-SHAPE EMI
Cad File No. CC85651A	Part No. EW1xxXXXXX	Dwg. No. CC3E8565	Rev. A

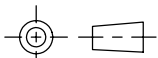
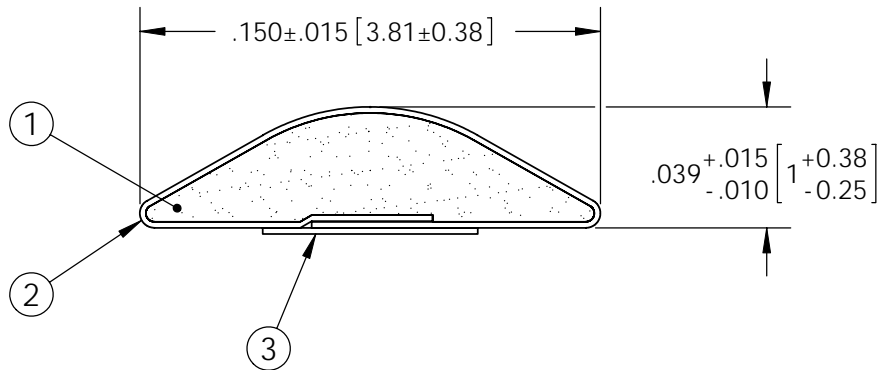
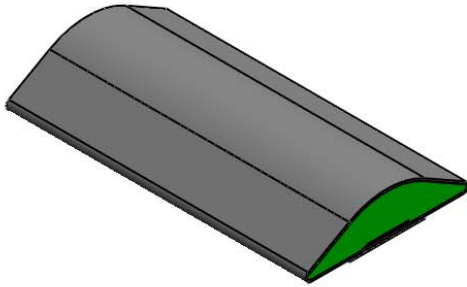


Revisions

Level		Date	By
(A)	REV TO SOLIDWORKS	8/17/09	BEP
(B)			
(C)			
(D)			

ROCHESTER DIVISION PRODUCT PRINT

The information disclosed in this drawing is confidential and the property of Schlegel Electronic Materials, INC. The use, disclosure, or reproduction of this information and related know-how is prohibited without written permission from Schlegel Electronic Materials, INC.



TOLERANCES

Profile thickness: $+0.015''$ (0.38mm)
 $-0.010''$ (0.25mm)
 Profile width: $\pm 0.015''$ (0.38mm)

SCALE 1:1

PDR NO.:	(4)		
QUOTE NO.:	(3)	SEE B.O.M.	PSA .070" WIDE (UNLESS OTHERWISE SPECIFIED)
CUSTOMER NAME:	(2)	SEE B.O.M.	CONDUCTIVE FABRIC
CUST DWG NO.:	(1)	SEE B.O.M.	URETHANE FOAM
DATE	12/17/2008		
SIZE A	SHEET 2 OF 2	Item No.	Material Description
SCALE: 10:1	Approved By	Drawn By PING	Title 1mm x 3.8mm D-SHAPE EMI
Cad File No. CC85651A	Part No. EW1xxTxxxxx	Dwg. No. CC3E8565	Rev. A