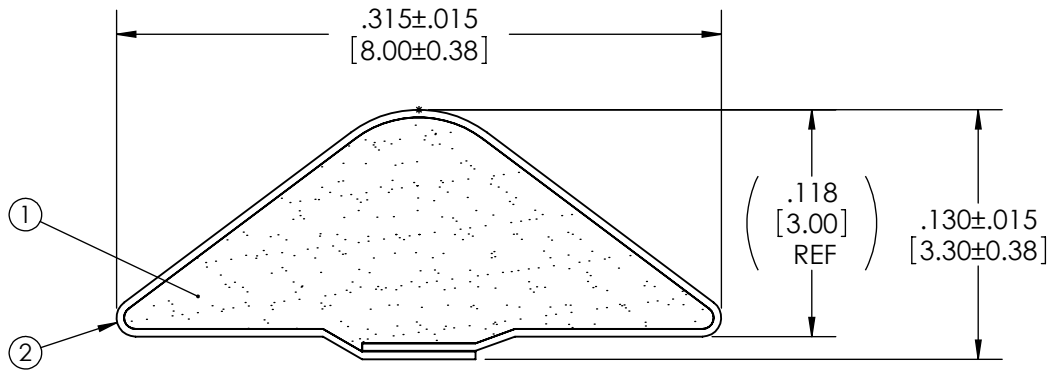
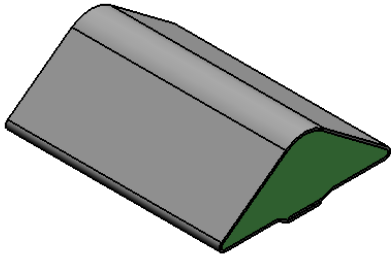


Revisions			
Level		Date	By
(A)	REV TO SOLIDWORKS	3/29/10	BEP
(B)			
(C)			
(D)			

ROCHESTER DIVISION PRODUCT PRINT

The information disclosed in this drawing is confidential and the property of Schlegel Electronic Materials, INC. The use, disclosure, or reproduction of this information and related know-how is prohibited without written permission from Schlegel Electronic Materials, INC.



TOLERANCES

Profile thickness: ± 0.015 " (0.38mm)
 Profile width: ± 0.015 " (0.38mm)


 SCALE 1:1

DIMS: MILLIMETERS <input checked="" type="checkbox"/> INCHES <input checked="" type="checkbox"/>		<input checked="" type="checkbox"/>	<input checked="" type="checkbox"/>	(4)		
PDR NO.:	N/A	(3)				
CUSTOMER NAME:	N/A	(2)	SEE B.O.M.		CONDUCTIVE FABRIC	
CUST DWG NO.:	N/A	(1)	SEE B.O.M.		URETHANE FOAM	
SIZE	Date 11/7/2008	Item No.	RM Number	Material Description		
A	SHEET 1 OF 2					
SCALE:	10:1	Approved By	Drawn By FYP	Title		
Cad File No.	CC85451A	Part No.	EV6xxXxxxxx	Dwg. No.	CC3E8545	Rev. A

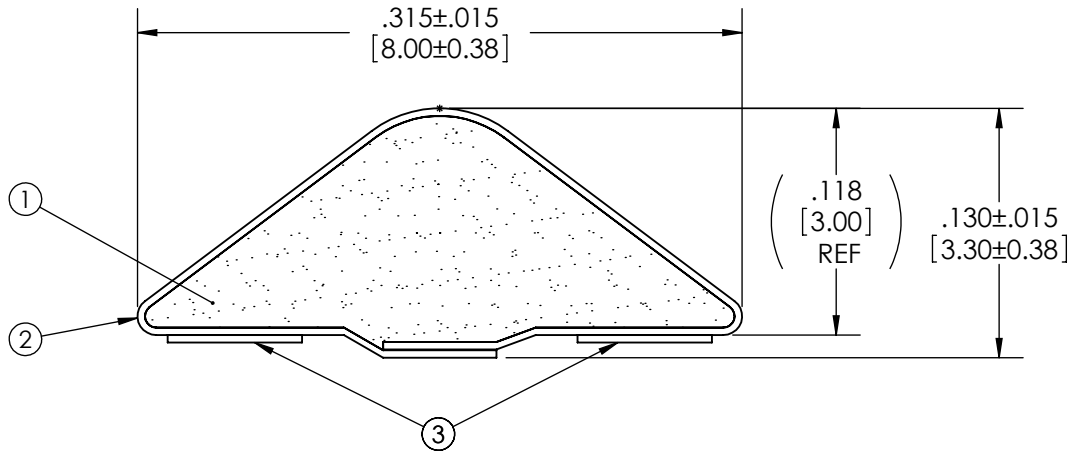
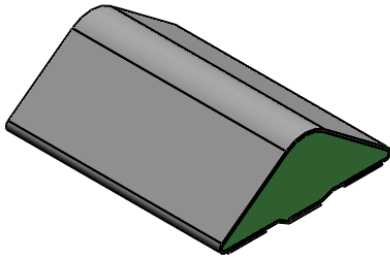


Revisions

Level		Date	By
(A)	REV TO SOLIDWORKS	3/29/10	BEP
(B)			
(C)			
(D)			

ROCHESTER DIVISION PRODUCT PRINT

The information disclosed in this drawing is confidential and the property of Schlegel Electronic Materials, INC. The use, disclosure, or reproduction of this information and related know-how is prohibited without written permission from Schlegel Electronic Materials, INC.



TOLERANCES

Profile thickness: $\pm .015$ " (0.38mm)
 Profile width: $\pm .015$ " (0.38mm)



SCALE 1:1

DIMS: MILLIMETERS <input checked="" type="checkbox"/> INCHES <input checked="" type="checkbox"/>		(4)		
PDR NO.: N/A		(3)	SEE B.O.M.	PSA .070" WIDE (UNLESS OTHERWISE SPECIFIED)
CUSTOMER NAME: N/A		(2)	SEE B.O.M.	CONDUCTIVE FABRIC
CUST DWG NO.: N/A		(1)	SEE B.O.M.	URETHANE FOAM
SIZE A	Date 11/7/2008	Item No.	RM Number	Material Description
SCALE: 10:1	Approved By	Drawn By FYP	Title	
Cad File No. CC85451A	Part No. EV6xx2Txxxxx	Dwg. No. CC3E8545	Rev. A	