

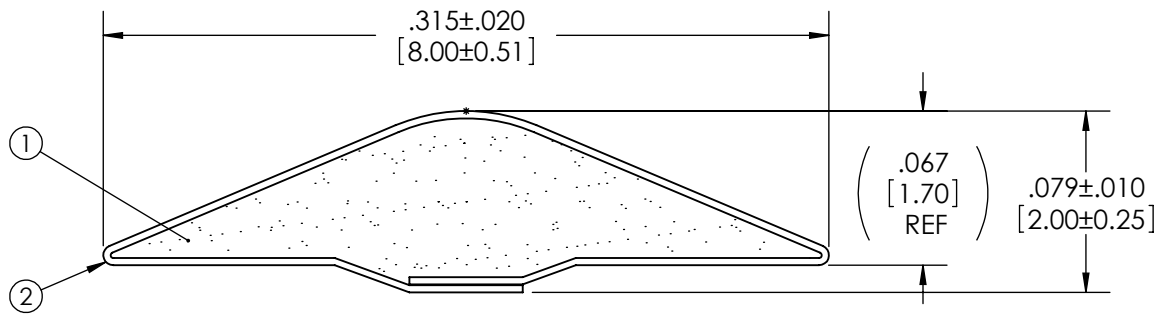
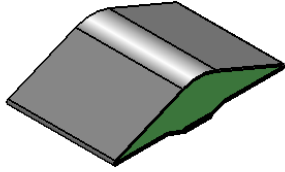


Revisions

Level		Date	By
(A)	REV TO SOLIDWORKS	3/29/10	BEP
(B)			
(C)			
(D)			

ROCHESTER DIVISION PRODUCT PRINT

The information disclosed in this drawing is confidential and the property of Schlegel Electronic Materials, INC. The use, disclosure, or reproduction of this information and related know-how is prohibited without written permission from Schlegel Electronic Materials, INC.



TOLERANCES

Profile thickness:  $\pm 0.010$ " (0.25mm)  
 Profile width:  $\pm 0.020$ " (0.51mm)

SCALE 1:1

DIMS: MILLIMETERS <input checked="" type="checkbox"/> INCHES <input checked="" type="checkbox"/>		<input checked="" type="checkbox"/>	(4)		
PDR NO.: N/A			(3)		
CUSTOMER NAME: N/A			(2)	SEE B.O.M.	CONDUCTIVE FABRIC
CUST DWG NO.: N/A			(1)	SEE B.O.M.	URETHANE FOAM
SIZE A	Date 11/7/2008			Item No.	RM Number
SHEET 1 OF 2					Material Description
SCALE: 12:1	Approved By		Drawn By FYP	Title	
Cad File No. CC85471A	Part No. EV3xxXxxxxx		Dwg. No. CC3E8547	Rev. A	

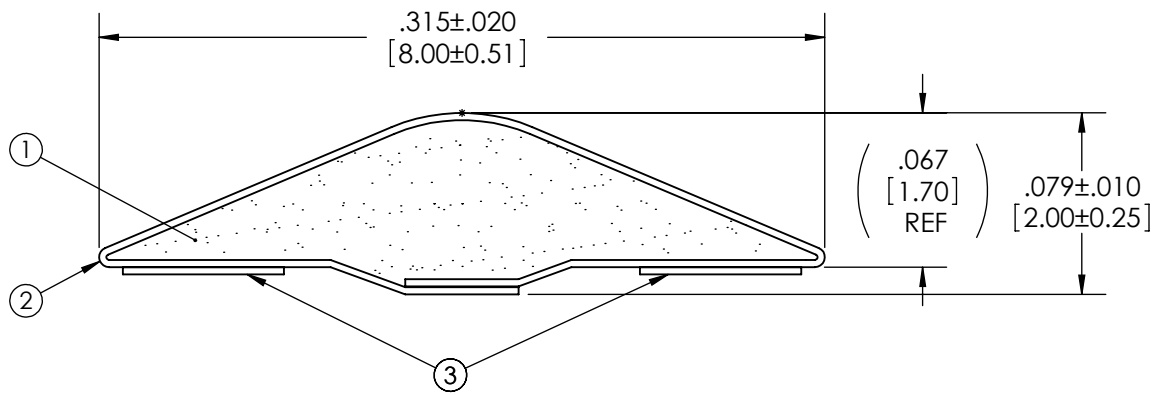
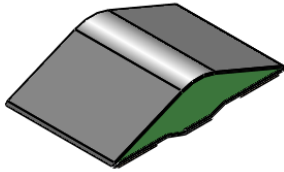


Revisions

Level		Date	By
(A)	REV TO SOLIDWORKS	3/29/10	BEP
(B)			
(C)			
(D)			

ROCHESTER DIVISION PRODUCT PRINT

The information disclosed in this drawing is confidential and the property of Schlegel Electronic Materials, INC. The use, disclosure, or reproduction of this information and related know-how is prohibited without written permission from Schlegel Electronic Materials, INC.



TOLERANCES

Profile thickness:  $\pm .010$ " (0.25mm)  
 Profile width:  $\pm .020$ " (0.51mm)



DIMS: MILLIMETERS <input checked="" type="checkbox"/> INCHES <input checked="" type="checkbox"/>		<input checked="" type="checkbox"/> <input type="checkbox"/>	(4)		
PDR NO.:	N/A		(3)	SEE B.O.M.	PSA .070" WIDE (UNLESS OTHERWISE SPECIFIED)
CUSTOMER NAME:	N/A		(2)	SEE B.O.M.	CONDUCTIVE FABRIC
CUST DWG NO.:	N/A		(1)	SEE B.O.M.	URETHANE FOAM
SIZE	Date 11/7/2008				
<b>A</b>	SHEET 2 OF 2	Item No.	RM Number	Material Description	
SCALE:	12:1	Approved By	Drawn By	FYP	Title
Cad File No.	CC85471A	Part No.	EV3xx2Txxxx	Dwg. No.	CC3E8547
					Rev. A