

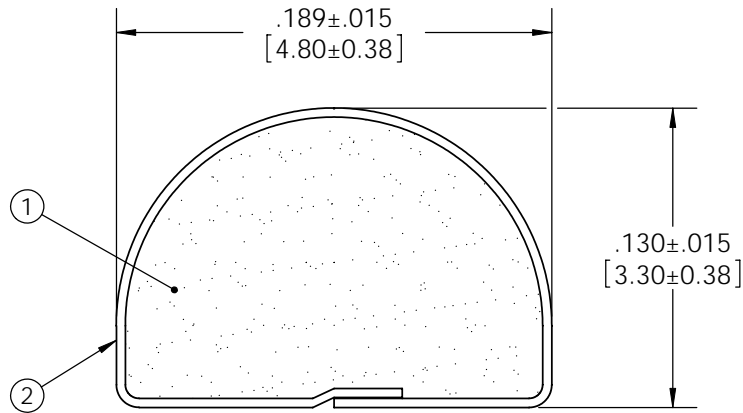
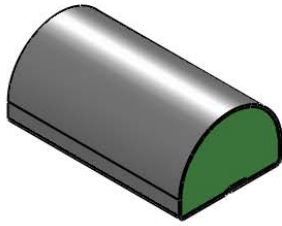


Revisions

Level		Date	By
(A)	REV TO SOLIDWORKS	3/25/10	BEP
(B)			
(C)			
(D)			

ROCHESTER DIVISION PRODUCT PRINT

The information disclosed in this drawing is confidential and the property of Schlegel Electronic Materials, INC. The use, disclosure, or reproduction of this information and related know-how is prohibited without written permission from Schlegel Electronic Materials, INC.



TOLERANCES

Profile thickness:  $\pm .015$ " (0.38mm)  
 Profile width:  $\pm .015$ " (0.38mm)

SCALE 1:1

DIMS: MILLIMETERS <input checked="" type="checkbox"/> INCHES <input checked="" type="checkbox"/>			(4)		
PDR NO.: N/A			(3)		
CUSTOMER NAME: N/A			(2)	SEE B.O.M.	CONDUCTIVE FABRIC
CUST DWG NO.: N/A			(1)	SEE B.O.M.	URETHANE FOAM
SIZE A	Date 5/9/2008			Item No.	RM Number
SHEET 1 OF 2					Material Description
SCALE: 12:1	Approved By		Drawn By	AMY	Title
Cad File No. CC85041A	Part No. EV1xxXxxxxx		Dwg. No. CC3E8504		Rev. A

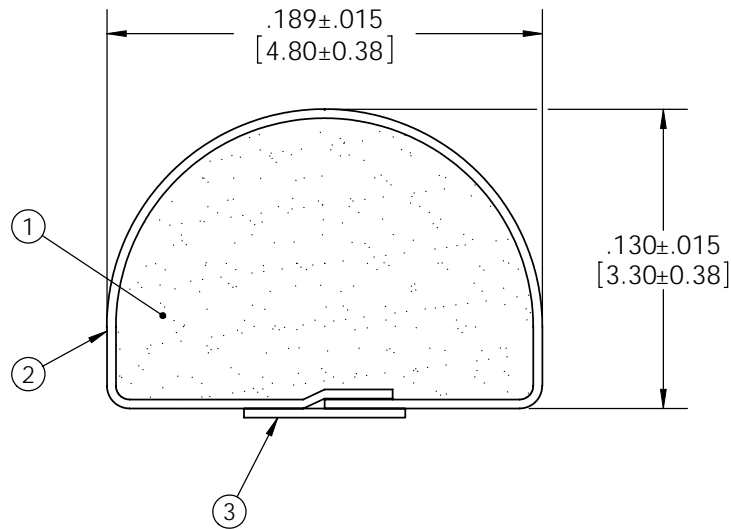
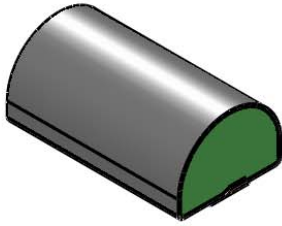


Revisions

Level		Date	By
(A)	REV TO SOLIDWORKS	3/25/10	BEP
(B)			
(C)			
(D)			

ROCHESTER DIVISION PRODUCT PRINT

The information disclosed in this drawing is confidential and the property of Schlegel Electronic Materials, INC. The use, disclosure, or reproduction of this information and related know-how is prohibited without written permission from Schlegel Electronic Materials, INC.



TOLERANCES

Profile thickness:  $\pm 0.015$ " (0.38mm)  
 Profile width:  $\pm 0.015$ " (0.38mm)



SCALE 1:1

DIMS: MILLIMETERS <input checked="" type="checkbox"/> INCHES <input checked="" type="checkbox"/>		<input checked="" type="checkbox"/> <input type="checkbox"/> <input type="checkbox"/>		(4)		
PDR NO.: N/A				(3)	SEE B.O.M.	PSA .070" WIDE (UNLESS OTHERWISE SPECIFIED)
CUSTOMER NAME: N/A				(2)	SEE B.O.M.	CONDUCTIVE FABRIC
CUST DWG NO.: N/A				(1)	SEE B.O.M.	URETHANE FOAM
SIZE A	Date 5/9/2008	SHEET 2 OF 2		Item No.	RM Number	Material Description
SCALE: 12:1	Approved By	Drawn By AMY		Title		
Cad File No. CC85041A	Part No. EV1xxTxxxxx	Dwg. No. CC3E8504		Rev. A		