

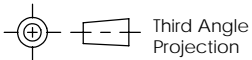
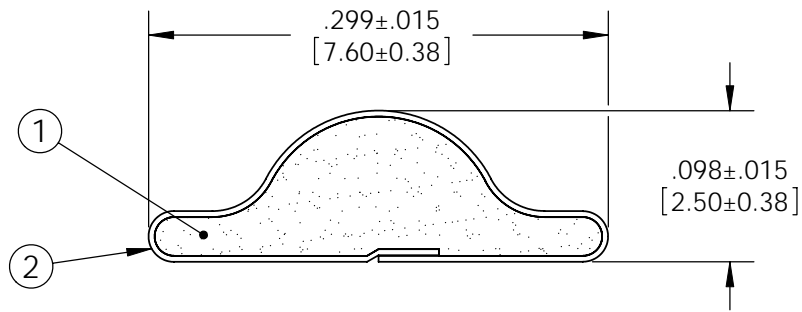
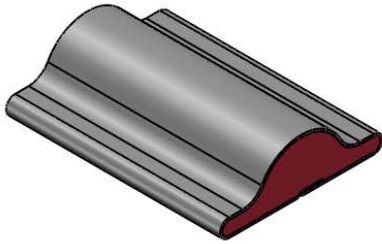


Revisions

Level		Date	By
○	RELEASE	12/31/07	AMY
Ⓐ	UPDATE SHEET FORMAT	4/15/09	BEP
Ⓑ			
Ⓒ			

ROCHESTER DIVISION PRODUCT PRINT

The information disclosed in this drawing is confidential and the property of Schlegel Electronic Materials, INC. The use, disclosure, or reproduction of this information and related know-how is prohibited without written permission from Schlegel Electronic Materials, INC.



Third Angle Projection

TOLERANCES

Profile thickness: ±.015" (0.38mm)
 Profile width: ±.015" (0.38mm)


 SCALE 1:1

PDR NO.:	④		
QUOTE NO.:	③		
CUSTOMER NAME:	②	SEE B.O.M.	CONDUCTIVE FABRIC
CUST DWG NO.:	①	SEE B.O.M.	URETHANE FOAM
SIZE A	Date	12/31/2007	
SHEET 1 OF 3		Item No.	Material Description
SCALE: 8:1	Approved By	Drawn By AMY	Title 2.5mm x 7.6mm BELL SHAPE EMI
Cad File No. CC85961A	Part No. EU7xxXXXXX	Dwg. No. CC3E8596	Rev. A

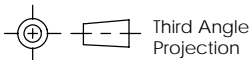
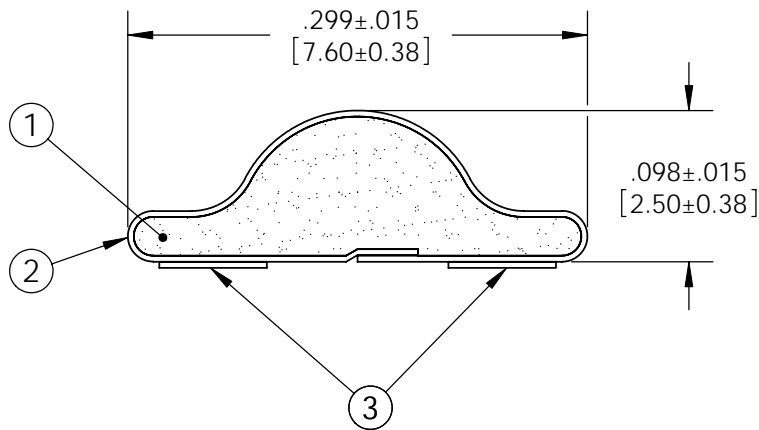
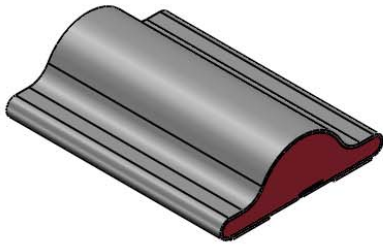


Revisions

Level		Date	By
○	RELEASE	12/31/07	AMY
Ⓐ	UPDATE SHEET FORMAT	4/15/09	BEP
Ⓑ			
Ⓒ			

ROCHESTER DIVISION PRODUCT PRINT

The information disclosed in this drawing is confidential and the property of Schlegel Electronic Materials, INC. The use, disclosure, or reproduction of this information and related know-how is prohibited without written permission from Schlegel Electronic Materials, INC.



TOLERANCES
 Profile thickness: $\pm .015$ " (0.38mm)
 Profile width: $\pm .015$ " (0.38mm)

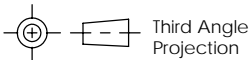
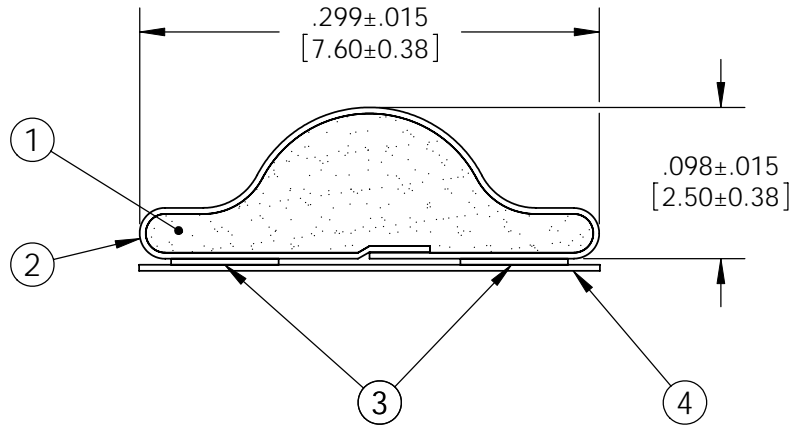
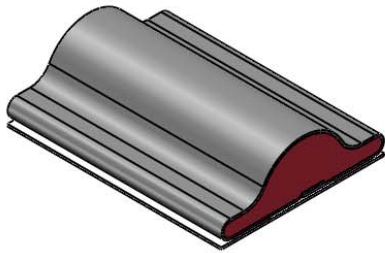
SCALE 1:1

PDR NO.:	④		
QUOTE NO.:	③	SEE B.O.M.	PSA .070" WIDE (UNLESS OTHERWISE SPECIFIED)
CUSTOMER NAME:	②	SEE B.O.M.	CONDUCTIVE FABRIC
CUST DWG NO.:	①	SEE B.O.M.	URETHANE FOAM
SIZE A	Date	12/31/2007	
SHEET 2 OF 3		Item No.	Material Description
SCALE: 8:1	Approved By	Drawn By AMY	Title 2.5mm x 7.6mm BELL SHAPE EMI
Cad File No. CC85961A	Part No. EU7xx2Txxxx	Dwg. No. CC3E8596	Rev. A

Revisions			
Level		Date	By
○	RELEASE	12/31/07	AMY
Ⓐ	UPDATE SHEET FORMAT	4/15/09	BEP
Ⓑ			
Ⓒ			

ROCHESTER DIVISION PRODUCT PRINT

The information disclosed in this drawing is confidential and the property of Schlegel Electronic Materials, INC. The use, disclosure, or reproduction of this information and related know-how is prohibited without written permission from Schlegel Electronic Materials, INC.



TOLERANCES
 Profile thickness: $\pm .015$ " (0.38mm)
 Profile width: $\pm .015$ " (0.38mm)

SCALE 1:1

PDR NO.:	④	SEE B.O.M.	RELEASE LINER .300" WIDE (UNLESS OTHERWISE SPECIFIED)
QUOTE NO.:	③	SEE B.O.M.	PSA .070" WIDE (UNLESS OTHERWISE SPECIFIED)
CUSTOMER NAME:	②	SEE B.O.M.	CONDUCTIVE FABRIC
CUST DWG NO.:	①	SEE B.O.M.	URETHANE FOAM
SIZE A	Date 12/31/2007	Item No.	RM Number
SHEET 3 OF 3		Material Description	
SCALE: 8:1	Approved By	Drawn By AMY	Title 2.5mm x 7.6mm BELL SHAPE EMI
Cad File No. CC85961A	Part No. EU7xx2Txxxx	Dwg. No. CC3E8596	Rev. A