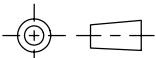
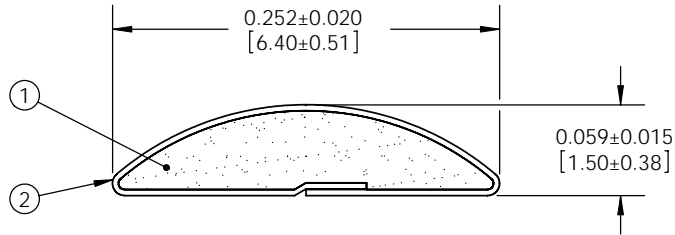
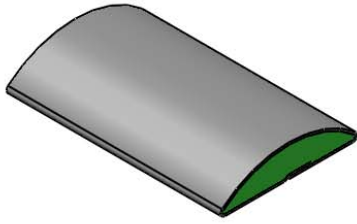


Level		Date	By
○	RELEASE	12/31/07	AMY
Ⓐ	UPDATE SHEET FORMAT	3/9/09	BEP
Ⓑ			
Ⓒ			

ROCHESTER DIVISION PRODUCT PRINT

The information disclosed in this drawing is confidential and the property of Schlegel Electronic Materials, INC. The use, disclosure, or reproduction of this information and related know-how is prohibited without written permission from Schlegel Electronic Materials, INC.



TOLERANCES

Profile thickness:  $\pm 0.015$ " (0.38mm)  
 Profile width:  $\pm 0.020$ " (0.51mm)



PDR NO.:	④		
QUOTE NO.:	③		
CUSTOMER NAME:	②	SEE B.O.M.	CONDUCTIVE FABRIC
CUST DWG NO.:	①	SEE B.O.M.	URETHANE FOAM
SIZE <b>A</b>	Date	12/31/2007	
	SHEET 1 OF 3		Item No. RM Number Material Description
SCALE: 8:1	Approved By	Drawn By AMY	Title 1.5mm x 6.4mm D-SHAPE EMI
Cad File No. CC85871A	Part No. ET6xxXXXXXX	Dwg. No. CC3E8587	Rev. A

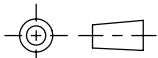
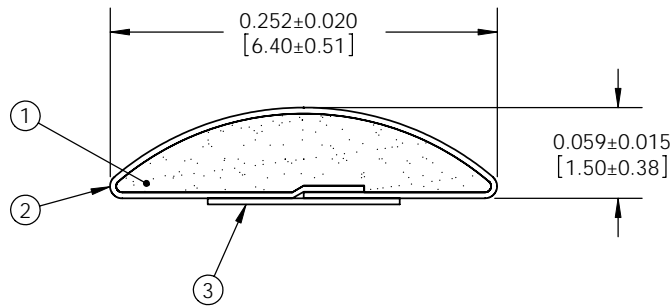
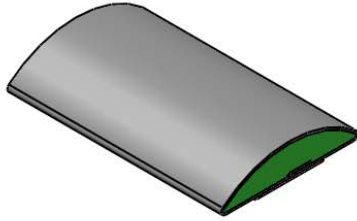


Revisions

Level		Date	By
○	RELEASE	12/31/07	AMY
Ⓐ	UPDATE SHEET FORMAT	3/9/09	BEP
Ⓑ			
Ⓒ			

ROCHESTER DIVISION PRODUCT PRINT

The information disclosed in this drawing is confidential and the property of Schlegel Electronic Materials, INC. The use, disclosure, or reproduction of this information and related know-how is prohibited without written permission from Schlegel Electronic Materials, INC.



TOLERANCES

Profile thickness:  $\pm 0.015$ " (0.38mm)  
 Profile width:  $\pm 0.020$ " (0.51mm)

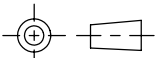
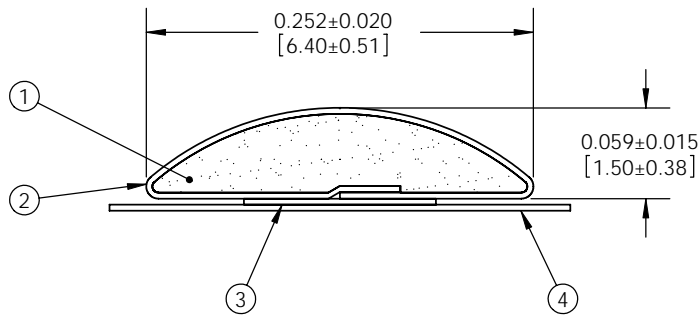
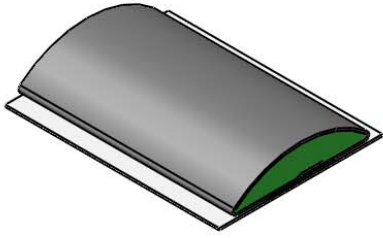
SCALE 1:1

PDR NO.:	④		
QUOTE NO.:	③	SEE B.O.M.	PSA .125" WIDE (UNLESS OTHERWISE SPECIFIED)
CUSTOMER NAME:	②	SEE B.O.M.	CONDUCTIVE FABRIC
CUST DWG NO.:	①	SEE B.O.M.	URETHANE FOAM
SIZE <b>A</b>	Date	12/31/2007	
	SHEET 2 OF 3		Item No. RM Number Material Description
SCALE: 8:1	Approved By	Drawn By	AMY
		Title	1.5mm x 6.4mm D-SHAPE EMI
Cad File No. CC85871A	Part No. ET6xxTxxxxx	Dwg. No. CC3E8587	Rev. <b>A</b>

Revisions			
Level		Date	By
○	RELEASE	12/31/07	AMY
Ⓐ	UPDATE SHEET FORMAT	3/9/09	BEP
Ⓑ			
Ⓒ			

ROCHESTER DIVISION PRODUCT PRINT

The information disclosed in this drawing is confidential and the property of Schlegel Electronic Materials, INC. The use, disclosure, or reproduction of this information and related know-how is prohibited without written permission from Schlegel Electronic Materials, INC.



TOLERANCES

Profile thickness:  $\pm 0.015$ " (0.38mm)  
 Profile width:  $\pm 0.020$ " (0.51mm)



PDR NO.:	④	SEE B.O.M.	RELEASE LINER .300" WIDE (UNLESS OTHERWISE SPECIFIED)
QUOTE NO.:	③	SEE B.O.M.	PSA .125" WIDE (UNLESS OTHERWISE SPECIFIED)
CUSTOMER NAME:	②	SEE B.O.M.	CONDUCTIVE FABRIC
CUST DWG NO.:	①	SEE B.O.M.	URETHANE FOAM
SIZE <b>A</b>	Date	12/31/2007	
	SHEET 3 OF 3		
	Item No.	RM Number	Material Description
SCALE: 8:1	Approved By	Drawn By AMY	Title 1.5mm x 6.4mm D-SHAPE EMI
Cad File No. CC85871A	Part No. ET6xxZxxxxx	Dwg. No. CC3E8587	Rev. A