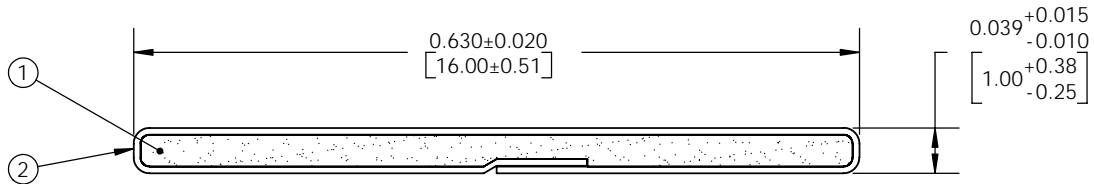
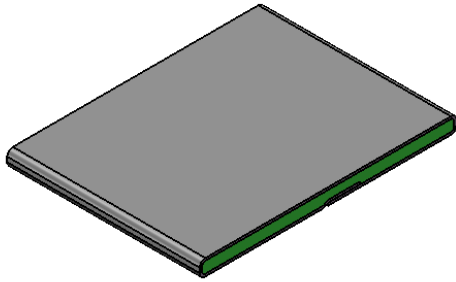


Level		Date	By
○	RELEASE	12/28/07	AMY
Ⓐ	UPDATE SHEET FORMAT	3/9/09	BEP
Ⓑ			
Ⓒ			

ROCHESTER DIVISION PRODUCT PRINT

The information disclosed in this drawing is confidential and the property of Schlegel Electronic Materials, INC. The use, disclosure, or reproduction of this information and related know-how is prohibited without written permission from Schlegel Electronic Materials, INC.



TOLERANCES
 Profile thickness: +.015" (0.38mm)
 -.010" (0.25mm)
 Profile width: ±.020" (0.51mm)

SCALE 1:1

CURRENT CONFIGURATIONS	
PROFILE	DESCRIPTION
ET513	HR FOAM, NiCu C70 FABRIC
ET514	HR FOAM, NiCu C12 FABRIC
ET519	HR FOAM, Ag C2 FABRIC
ET553	BR FR FOAM, NiCu C70 FABRIC
ET554	BR FR FOAM, NiCu C12 FABRIC
ET559	BR FR FOAM, Ag C2 FABRIC
ET573	SOFT FOAM, NiCu C70 FABRIC

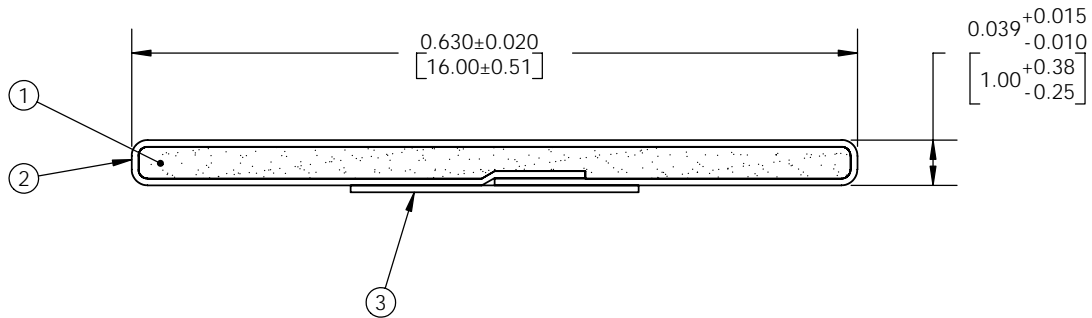
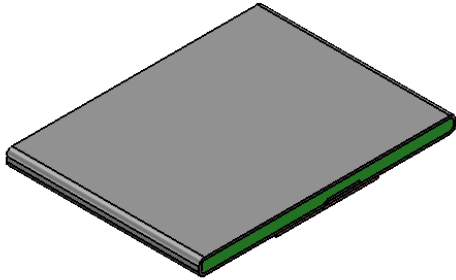
NOTE: Other configurations may be available at special minimum order quantities.

PDR NO.:	④		
QUOTE NO.:	③		
CUSTOMER NAME:	②	SEE B.O.M.	CONDUCTIVE FABRIC
CUST DWG NO.:	①	SEE B.O.M.	URETHANE FOAM
SIZE A	Date 12/28/2007	Item No.	RM Number
SHEET 1 OF 3		Material Description	
SCALE: 6:1	Approved By	Drawn By AMY	Title 1mm x 16mm EMI
Cad File No. CC85861A	Part No. ET5xxXxxxx	Dwg. No. CC3E8586	Rev. A

Level		Date	By
○	RELEASE	12/28/07	AMY
Ⓐ	UPDATE SHEET FORMAT	3/9/09	BEP
Ⓑ			
Ⓒ			

ROCHESTER DIVISION PRODUCT PRINT

The information disclosed in this drawing is confidential and the property of Schlegel Electronic Materials, INC. The use, disclosure, or reproduction of this information and related know-how is prohibited without written permission from Schlegel Electronic Materials, INC.



TOLERANCES
 Profile thickness: +.015" (0.38mm)
 -.010" (0.25mm)
 Profile width: ±.020" (0.51mm)

SCALE 1:1

CURRENT CONFIGURATIONS	
PROFILE	DESCRIPTION
ET513	HR FOAM, NiCu C70 FABRIC
ET514	HR FOAM, NiCu C12 FABRIC
ET519	HR FOAM, Ag C2 FABRIC
ET553	BR FR FOAM, NiCu C70 FABRIC
ET554	BR FR FOAM, NiCu C12 FABRIC
ET559	BR FR FOAM, Ag C2 FABRIC
ET573	SOFT FOAM, NiCu C70 FABRIC
NOTE: Other configurations may be available at special minimum order quantities.	

PDR NO.:	④		
QUOTE NO.:	③	SEE B.O.M.	PSA .250" WIDE (UNLESS OTHERWISE SPECIFIED)
CUSTOMER NAME:	②	SEE B.O.M.	CONDUCTIVE FABRIC
CUST DWG NO.:	①	SEE B.O.M.	URETHANE FOAM
SIZE A	Date 12/28/2007	Item No.	RM Number
SHEET 2 OF 3		Material Description	
SCALE: 6:1	Approved By	Drawn By AMY	Title 1mm x 16mm EMI
Cad File No. CC85861A	Part No. ET5xxTxxxxx	Dwg. No. CC3E8586	Rev. A

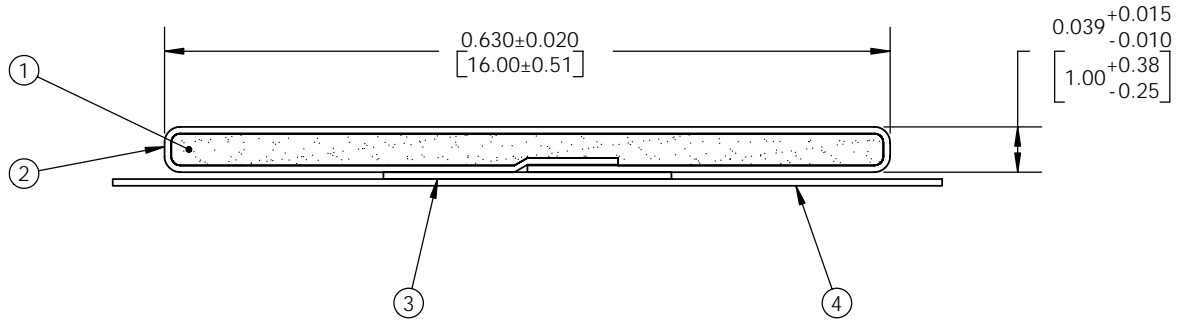
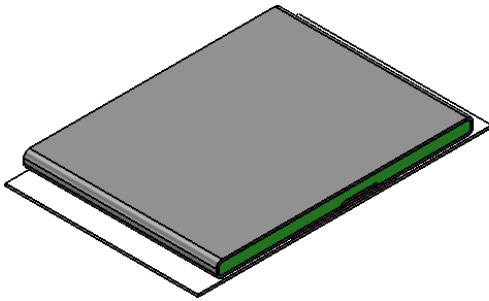


Revisions

Level		Date	By
○	RELEASE	12/28/07	AMY
Ⓐ	UPDATE SHEET FORMAT	3/9/09	BEP
Ⓑ			
Ⓒ			

ROCHESTER DIVISION PRODUCT PRINT

The information disclosed in this drawing is confidential and the property of Schlegel Electronic Materials, INC. The use, disclosure, or reproduction of this information and related know-how is prohibited without written permission from Schlegel Electronic Materials, INC.



TOLERANCES
 Profile thickness: $+0.015''$ (0.38mm)
 $-0.010''$ (0.25mm)
 Profile width: $\pm 0.020''$ (0.51mm)



CURRENT CONFIGURATIONS	
PROFILE	DESCRIPTION
ET513	HR FOAM, NiCu C70 FABRIC
ET514	HR FOAM, NiCu C12 FABRIC
ET519	HR FOAM, Ag C2 FABRIC
ET553	BR FR FOAM, NiCu C70 FABRIC
ET554	BR FR FOAM, NiCu C12 FABRIC
ET559	BR FR FOAM, Ag C2 FABRIC
ET573	SOFT FOAM, NiCu C70 FABRIC

NOTE: Other configurations may be available at special minimum order quantities.

PDR NO.:	④	SEE B.O.M.	RELEASE LINER .720" WIDE (UNLESS OTHERWISE SPECIFIED)
QUOTE NO.:	③	SEE B.O.M.	PSA .250" WIDE (UNLESS OTHERWISE SPECIFIED)
CUSTOMER NAME:	②	SEE B.O.M.	CONDUCTIVE FABRIC
CUST DWG NO.:	①	SEE B.O.M.	URETHANE FOAM
SIZE A	Date	12/28/2007	
SHEET 3 OF 3		Item No.	Material Description
SCALE: 6:1	Approved By	Drawn By	AMY
Title		1mm x 16mm EMI	
Cad File No.	CC85861A	Part No.	ET5xxZxxxxx
Dwg. No.	CC3E8586	Rev.	A