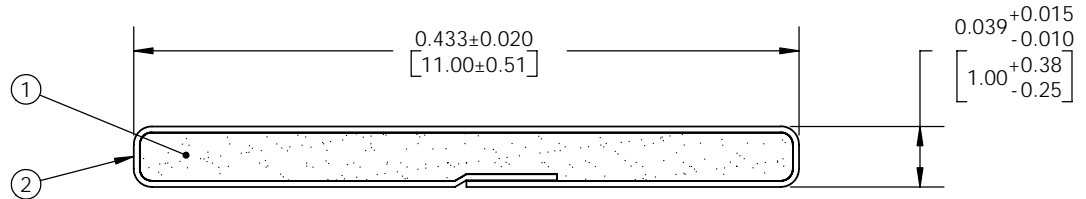
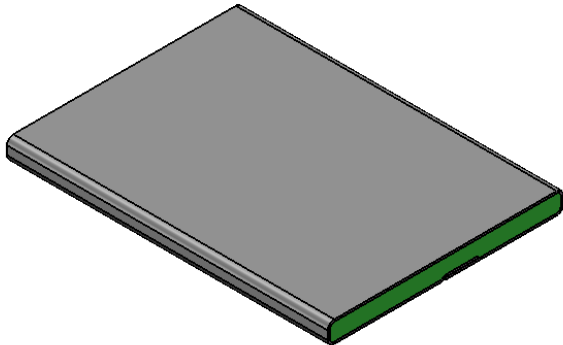


Level		Date	By
○	RELEASE	12/28/07	AMY
Ⓐ	UPDATE SHEET FORMAT	3/9/09	BEP
Ⓑ			
Ⓒ			

ROCHESTER DIVISION PRODUCT PRINT

The information disclosed in this drawing is confidential and the property of Schlegel Electronic Materials, INC. The use, disclosure, or reproduction of this information and related know-how is prohibited without written permission from Schlegel Electronic Materials, INC.



CURRENT CONFIGURATIONS	
PROFILE	DESCRIPTION
ET313	HR FOAM, NiCu C70 FABRIC
ET314	HR FOAM, NiCu C12 FABRIC
ET319	HR FOAM, Ag C2 FABRIC
ET353	BR FR FOAM, NiCu C70 FABRIC
ET354	BR FR FOAM, NiCu C12 FABRIC
ET359	BR FR FOAM, Ag C2 FABRIC
ET373	SOFT FOAM, NiCu C70 FABRIC

NOTE: Other configurations may be available at special minimum order quantities.



TOLERANCES

Profile thickness: $+0.015''$ (0.38mm)
 $-0.010''$ (0.25mm)
 Profile width: $\pm 0.020''$ (0.51mm)

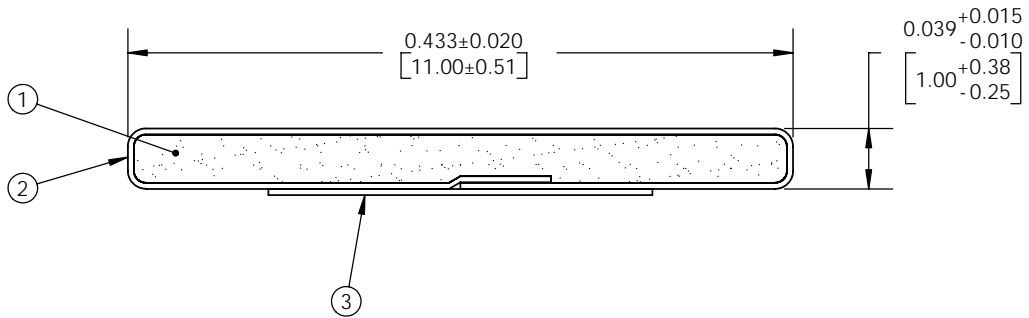
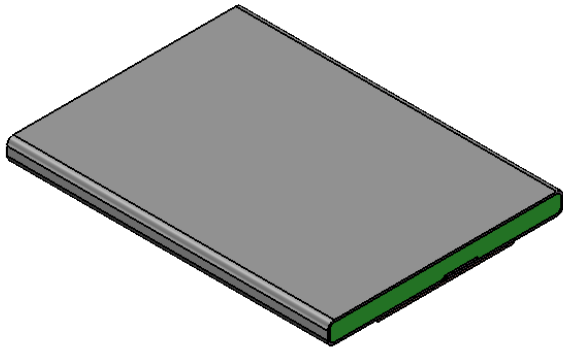
SCALE 1:1

PDR NO.:	④		
QUOTE NO.:	③		
CUSTOMER NAME:	②	SEE B.O.M.	CONDUCTIVE FABRIC
CUST DWG NO.:	①	SEE B.O.M.	URETHANE FOAM
SIZE A	Date	12/28/2007	
	SHEET 1 OF 3		Item No. RM Number Material Description
SCALE: 8:1	Approved By	Drawn By AMY	Title 1mm x 11mm EMI
Cad File No. CC85841A	Part No. ET3xxXXXXX	Dwg. No. CC3E8584	Rev. A

Level		Date	By
○	RELEASE	12/28/07	AMY
Ⓐ	UPDATE SHEET FORMAT	3/9/09	BEP
Ⓑ			
Ⓒ			

ROCHESTER DIVISION PRODUCT PRINT

The information disclosed in this drawing is confidential and the property of Schlegel Electronic Materials, INC. The use, disclosure, or reproduction of this information and related know-how is prohibited without written permission from Schlegel Electronic Materials, INC.



TOLERANCES
 Profile thickness: +.015" (0.38mm)
 -.010" (.25mm)
 Profile width: ±.020" (0.51mm)

SCALE 1:1

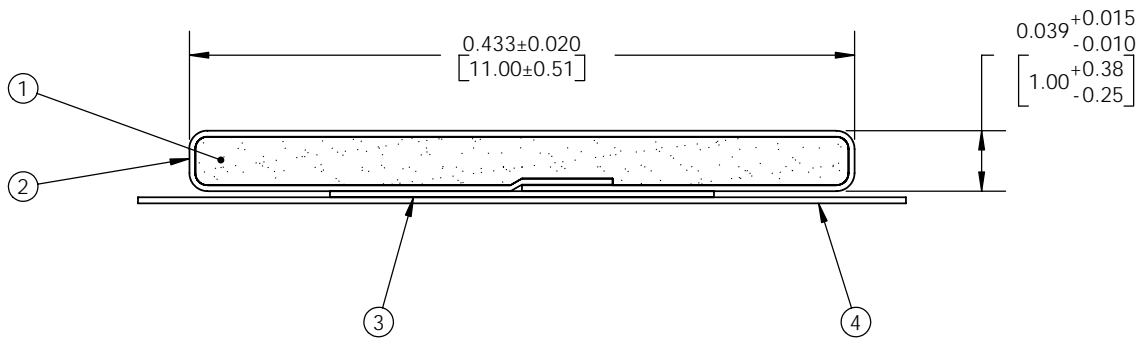
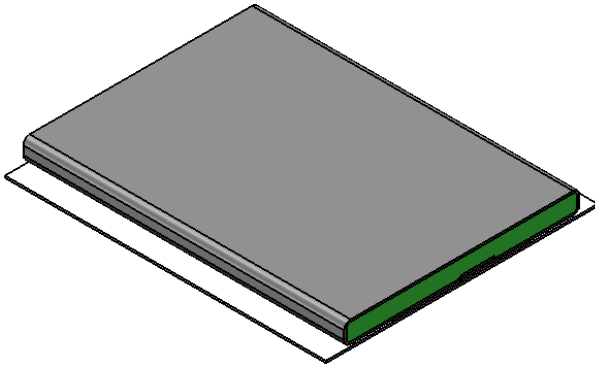
CURRENT CONFIGURATIONS	
PROFILE	DESCRIPTION
ET313	HR FOAM, NiCu C70 FABRIC
ET314	HR FOAM, NiCu C12 FABRIC
ET319	HR FOAM, Ag C2 FABRIC
ET353	BR FR FOAM, NiCu C70 FABRIC
ET354	BR FR FOAM, NiCu C12 FABRIC
ET359	BR FR FOAM, Ag C2 FABRIC
ET373	SOFT FOAM, NiCu C70 FABRIC
NOTE: Other configurations may be available at special minimum order quantities.	

PDR NO.:	④		
QUOTE NO.:	③	SEE B.O.M.	PSA .250" WIDE (UNLESS OTHERWISE SPECIFIED)
CUSTOMER NAME:	②	SEE B.O.M.	CONDUCTIVE FABRIC
CUST DWG NO.:	①	SEE B.O.M.	URETHANE FOAM
SIZE A	Date 12/28/2007	Item No.	RM Number
SHEET 2 OF 3		Material Description	
SCALE: 8:1	Approved By	Drawn By AMY	Title 1mm x 11mm EMI
Cad File No. CC85841A	Part No. ET3xxTxxxxx	Dwg. No. CC3E8584	Rev. A

Level		Date	By
○	RELEASE	12/28/07	AMY
Ⓐ	UPDATE SHEET FORMAT	3/9/09	BEP
Ⓑ			
Ⓒ			

ROCHESTER DIVISION PRODUCT PRINT

The information disclosed in this drawing is confidential and the property of Schlegel Electronic Materials, INC. The use, disclosure, or reproduction of this information and related know-how is prohibited without written permission from Schlegel Electronic Materials, INC.



TOLERANCES
 Profile thickness: +.015" (0.38mm)
 -.010" (.25mm)
 Profile width: ±.020" (0.51mm)

SCALE 1:1

CURRENT CONFIGURATIONS	
PROFILE	DESCRIPTION
ET313	HR FOAM, NiCu C70 FABRIC
ET314	HR FOAM, NiCu C12 FABRIC
ET319	HR FOAM, Ag C2 FABRIC
ET353	BR FR FOAM, NiCu C70 FABRIC
ET354	BR FR FOAM, NiCu C12 FABRIC
ET359	BR FR FOAM, Ag C2 FABRIC
ET373	SOFT FOAM, NiCu C70 FABRIC

NOTE: Other configurations may be available at special minimum order quantities.

PDR NO.:	④	SEE B.O.M.	RELEASE LINER .500" WIDE (UNLESS OTHERWISE SPECIFIED)
QUOTE NO.:	③	SEE B.O.M.	PSA .250" WIDE (UNLESS OTHERWISE SPECIFIED)
CUSTOMER NAME:	②	SEE B.O.M.	CONDUCTIVE FABRIC
CUST DWG NO.:	①	SEE B.O.M.	URETHANE FOAM
SIZE A	Date	12/28/2007	
SHEET 3 OF 3		Item No.	RM Number
SCALE: 8:1		Approved By	Material Description
		Drawn By	AMY
		Title	1mm x 11mm EMI
Cad File No.	CC85841A	Part No.	ET3xxZxxxxx
		Dwg. No.	CC3E8584
		Rev.	A