

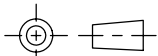
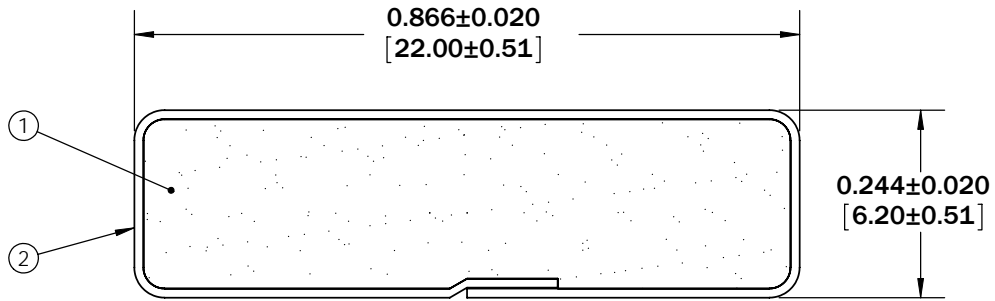
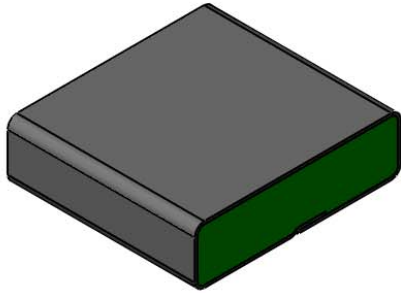


Revisions

Level		Date	By
(A)	UPDATE SHEET FORMAT	3/6/09	BEP
(B)			
(C)			
(D)			

ROCHESTER DIVISION PRODUCT PRINT

The information disclosed in this drawing is confidential and the property of Schlegel Electronic Materials, INC. The use, disclosure, or reproduction of this information and related know-how is prohibited without written permission from Schlegel Electronic Materials, INC.



TOLERANCES

Profile thickness: ± 0.020 " (0.51mm)
 Profile width: ± 0.020 " (0.51mm)



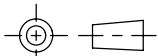
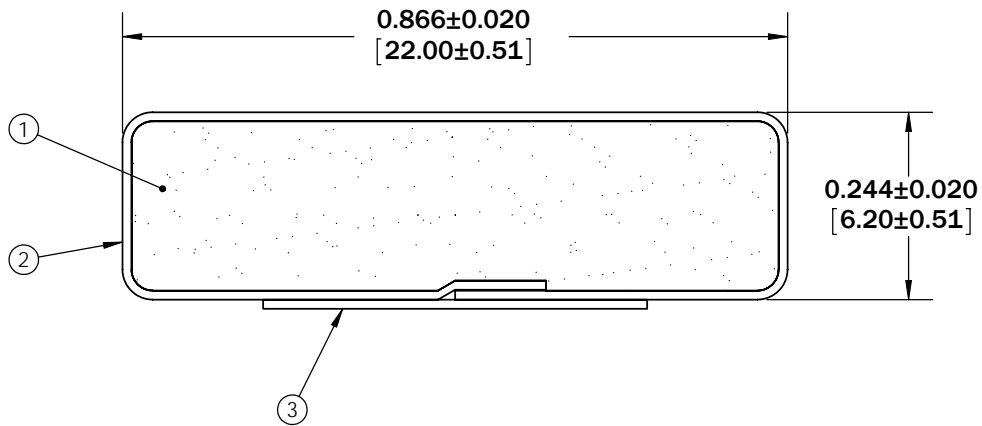
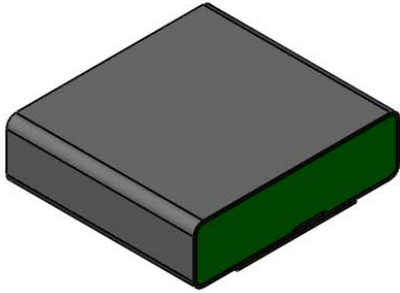
SCALE 1:1

PDR NO.:	(4)		
QUOTE NO.:	(3)		
CUSTOMER NAME:	(2)	SEE B.O.M.	CONDUCTIVE FABRIC
CUST DWG NO.:	(1)	SEE B.O.M.	URETHANE FOAM
SIZE A	Date	12/28/2007	
SHEET 1 OF 3		Item No.	Material Description
SCALE: 4:1	Approved By	Drawn By: BEP	Title: 6.2mm x 22mm EMI
Cad File No. CC85811A	Part No. ES9xxXXXXX	Dwg. No. CC3E8581	Rev. A

Level		Date	By
(A)	UPDATE SHEET FORMAT	3/6/09	BEP
(B)			
(C)			
(D)			

ROCHESTER DIVISION PRODUCT PRINT

The information disclosed in this drawing is confidential and the property of Schlegel Electronic Materials, INC. The use, disclosure, or reproduction of this information and related know-how is prohibited without written permission from Schlegel Electronic Materials, INC.



TOLERANCES

Profile thickness: ±.020" (0.51mm)
 Profile width: ±.020" (0.51mm)



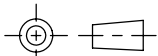
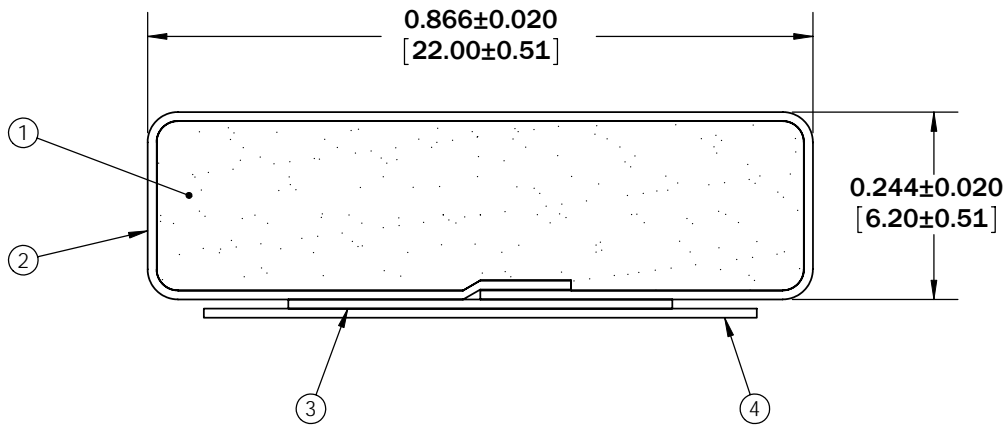
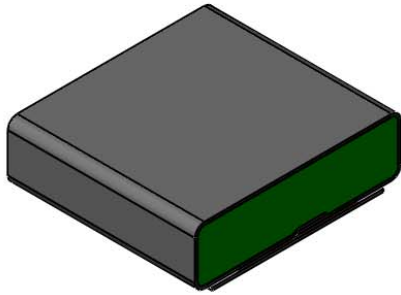
SCALE 1:1

PDR NO.:	(4)		
QUOTE NO.:	(3)	SEE B.O.M.	PSA .500" WIDE (UNLESS OTHERWISE SPECIFIED)
CUSTOMER NAME:	(2)	SEE B.O.M.	CONDUCTIVE FABRIC
CUST DWG NO.:	(1)	SEE B.O.M.	URETHANE FOAM
SIZE A	Date	12/28/2007	
	SHEET 2 OF 3		Item No. RM Number Material Description
SCALE: 4:1	Approved By	Drawn By BEP	Title 6.2mm x 22mm EMI
Cad File No. CC85811A	Part No. ES9xxTxxxxx	Dwg. No. CC3E8581	Rev. A

Revisions			
Level		Date	By
(A)	UPDATE SHEET FORMAT	3/6/09	BEP
(B)			
(C)			
(D)			

ROCHESTER DIVISION PRODUCT PRINT

The information disclosed in this drawing is confidential and the property of Schlegel Electronic Materials, INC. The use, disclosure, or reproduction of this information and related know-how is prohibited without written permission from Schlegel Electronic Materials, INC.



TOLERANCES
 Profile thickness: ± 0.020 " (0.51mm)
 Profile width: ± 0.020 " (0.51mm)



SCALE 1:1

PDR NO.:	(4)	SEE B.O.M.	RELEASE LINER .720" WIDE (UNLESS OTHERWISE SPECIFIED)
QUOTE NO.:	(3)	SEE B.O.M.	PSA .500" WIDE (UNLESS OTHERWISE SPECIFIED)
CUSTOMER NAME:	(2)	SEE B.O.M.	CONDUCTIVE FABRIC
CUST DWG NO.:	(1)	SEE B.O.M.	URETHANE FOAM
SIZE A	Date	12/28/2007	
SHEET 3 OF 3		Item No.	Material Description
SCALE: 4:1	Approved By	Drawn By: BEP	Title: 6.2mm x 22mm EMI
Cad File No. CC85811A	Part No. ES9xxZxxxxx	Dwg. No. CC3E8581	Rev. A