

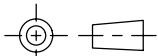
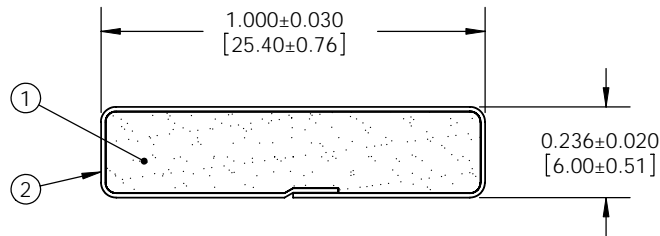
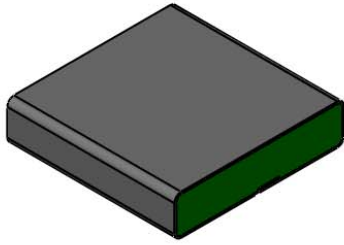


Revisions

Level		Date	By
○	RELEASE	1/2/08	AMY
Ⓐ	UPDATE SHEET FORMAT	3/6/08	BEP
Ⓑ			
Ⓒ			

ROCHESTER DIVISION PRODUCT PRINT

The information disclosed in this drawing is confidential and the property of Schlegel Electronic Materials, INC. The use, disclosure, or reproduction of this information and related know-how is prohibited without written permission from Schlegel Electronic Materials, INC.



TOLERANCES

Profile thickness: ± 0.020 " (0.51mm)
 Profile width: ± 0.030 " (0.76mm)



SCALE 1:1

PDR NO.:	④		
QUOTE NO.:	③		
CUSTOMER NAME:	②	SEE B.O.M.	CONDUCTIVE FOAM
CUST DWG NO.:	①	SEE B.O.M.	URETHANE FOAM
SIZE A	Date	1/2/2008	
SHEET 1 OF 3		Item No.	Material Description
SCALE: 2:1	Approved By	Drawn By AMY	Title 6mm x 25.4mm EMI
Cad File No. CC85801A	Part No. ES8xxXxxxx	Dwg. No. CC3E8580	Rev. A

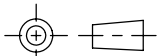
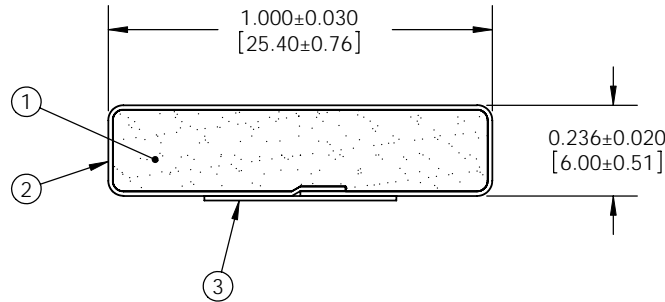
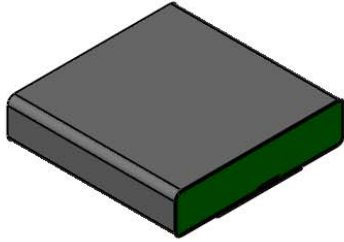


Revisions

Level		Date	By
○	RELEASE	1/2/08	AMY
Ⓐ	UPDATE SHEET FORMAT	3/6/08	BEP
Ⓑ			
Ⓒ			

ROCHESTER DIVISION PRODUCT PRINT

The information disclosed in this drawing is confidential and the property of Schlegel Electronic Materials, INC. The use, disclosure, or reproduction of this information and related know-how is prohibited without written permission from Schlegel Electronic Materials, INC.



TOLERANCES

Profile thickness: ± 0.020 " (0.51mm)
 Profile width: ± 0.030 " (0.76mm)



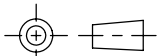
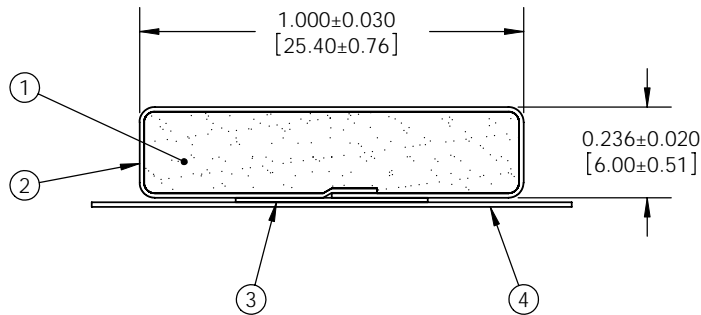
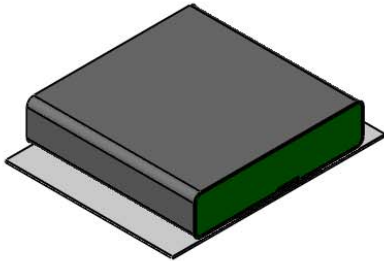
SCALE 1:1

PDR NO.:	④		
QUOTE NO.:	③	SEE B.O.M.	PSA .500" WIDE (UNLESS OTHERWISE SPECIFIED)
CUSTOMER NAME:	②	SEE B.O.M.	CONDUCTIVE FOAM
CUST DWG NO.:	①	SEE B.O.M.	URETHANE FOAM
SIZE A	Date	1/2/2008	
SHEET 2 OF 3		Item No.	Material Description
SCALE: 2:1	Approved By	Drawn By AMY	Title 6mm x 25.4mm EMI
Cad File No. CC85801A	Part No. ES8xxTxxxxx	Dwg. No. CC3E8580	Rev. A

Level		Date	By
○	RELEASE	1/2/08	AMY
Ⓐ	UPDATE SHEET FORMAT	3/6/08	BEP
Ⓑ			
Ⓒ			

ROCHESTER DIVISION PRODUCT PRINT

The information disclosed in this drawing is confidential and the property of Schlegel Electronic Materials, INC. The use, disclosure, or reproduction of this information and related know-how is prohibited without written permission from Schlegel Electronic Materials, INC.



TOLERANCES

Profile thickness: ± 0.020 " (0.51mm)
 Profile width: ± 0.030 " (0.76mm)



SCALE 1:1

PDR NO.:	④	SEE B.O.M.	RELEASE LINER 1.25" WIDE (UNLESS OTHERWISE SPECIFIED)
QUOTE NO.:	③	SEE B.O.M.	PSA .500" WIDE (UNLESS OTHERWISE SPECIFIED)
CUSTOMER NAME:	②	SEE B.O.M.	CONDUCTIVE FOAM
CUST DWG NO.:	①	SEE B.O.M.	URETHANE FOAM
SIZE A	Date	1/2/2008	
SHEET 3 OF 3		Item No.	Material Description
SCALE: 2:1	Approved By	Drawn By	AMY
		Title	6mm x 25.4mm EMI
Cad File No.	CC85801A	Part No.	ES8xxZxxxx
		Dwg. No.	CC3E8580
			Rev. A