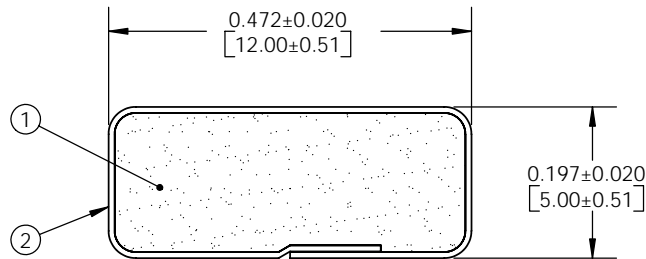
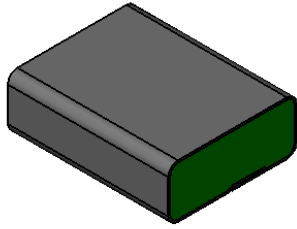


Level		Date	By
○	RELEASE	1/2/08	AMY
Ⓐ	UPDATE SHEET FORMAT	3/6/09	BEP
Ⓑ			
Ⓒ			

ROCHESTER DIVISION PRODUCT PRINT

The information disclosed in this drawing is confidential and the property of Schlegel Electronic Materials, INC. The use, disclosure, or reproduction of this information and related know-how is prohibited without written permission from Schlegel Electronic Materials, INC.



CURRENT CONFIGURATIONS	
PROFILE	DESCRIPTION
ES713	HR FOAM, NiCu C70 FABRIC
ES714	HR FOAM, NiCu C12 FABRIC
ES719	HR FOAM, Ag C2 FABRIC
ES753	BR FR FOAM, NiCu C70 FABRIC
ES754	BR FR FOAM, NiCu C12 FABRIC
ES759	BR FR FOAM, Ag C2 FABRIC
ES773	SOFT FOAM, NiCu C70 FABRIC
NOTE: Other configurations may be available at special minimum order quantities.	



THIRD ANGLE PROJECTION

TOLERANCES
 Profile thickness: ±.020" (0.51mm)
 Profile width: ±.020" (0.51mm)



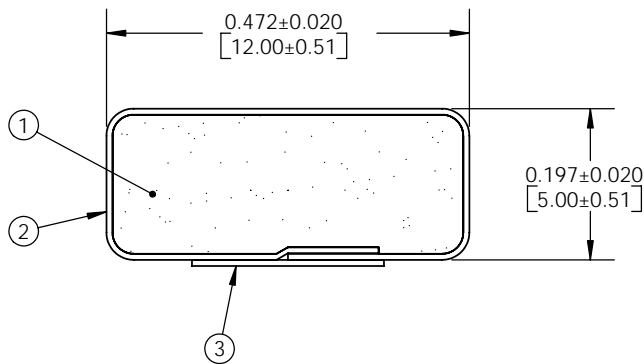
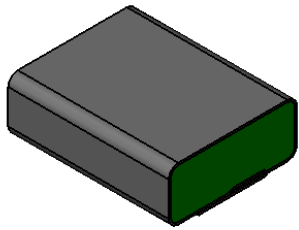
SCALE 1:1

PDR NO.:	④		
QUOTE NO.:	③		
CUSTOMER NAME:	②	SEE B.O.M.	CONDUCTIVE ADHESIVE
CUST DWG NO.:	①	SEE B.O.M.	URETHANE FOAM
SIZE A	Date	1/2/2008	
SHEET 1 OF 3		Item No.	RM Number
SCALE: 4:1		Approved By	Drawn By AMY
		Title 5mm x 12mm EMI	
Cad File No. CC85791A	Part No. ES7xxXXXXX	Dwg. No. CC3E8579	Rev. A

Revisions			
Level		Date	By
○	RELEASE	1/2/08	AMY
Ⓐ	UPDATE SHEET FORMAT	3/6/09	BEP
Ⓑ			
Ⓒ			

ROCHESTER DIVISION PRODUCT PRINT

The information disclosed in this drawing is confidential and the property of Schlegel Electronic Materials, INC. The use, disclosure, or reproduction of this information and related know-how is prohibited without written permission from Schlegel Electronic Materials, INC.



CURRENT CONFIGURATIONS	
PROFILE	DESCRIPTION
ES713	HR FOAM, NiCu C70 FABRIC
ES714	HR FOAM, NiCu C12 FABRIC
ES719	HR FOAM, Ag C2 FABRIC
ES753	BR FR FOAM, NiCu C70 FABRIC
ES754	BR FR FOAM, NiCu C12 FABRIC
ES759	BR FR FOAM, Ag C2 FABRIC
ES773	SOFT FOAM, NiCu C70 FABRIC

NOTE: Other configurations may be available at special minimum order quantities.

THIRD ANGLE PROJECTION

TOLERANCES
 Profile thickness: ±.020" (0.51mm)
 Profile width: ±.020" (0.51mm)

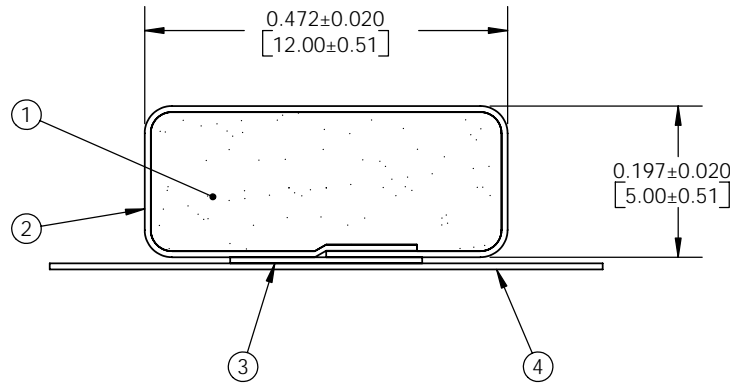
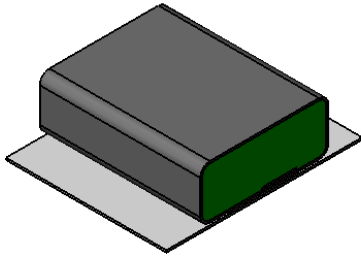


PDR NO.:	④		
QUOTE NO.:	③	SEE B.O.M.	PSA .250" WIDE (UNLESS OTHERWISE SPECIFIED)
CUSTOMER NAME:	②	SEE B.O.M.	CONDUCTIVE ADHESIVE
CUST DWG NO.:	①	SEE B.O.M.	URETHANE FOAM
SIZE A	Date 1/2/2008	Item No.	Material Description
SHEET 2 OF 3		RM Number	
SCALE: 4:1	Approved By	Drawn By AMY	Title 5mm x 12mm EMI
Cad File No. CC85791A	Part No. ES7xxTxxxx	Dwg. No. CC3E8579	Rev. A

Level		Date	By
○	RELEASE	1/2/08	AMY
Ⓐ	UPDATE SHEET FORMAT	3/6/09	BEP
Ⓑ			
Ⓒ			

ROCHESTER DIVISION PRODUCT PRINT

The information disclosed in this drawing is confidential and the property of Schlegel Electronic Materials, INC. The use, disclosure, or reproduction of this information and related know-how is prohibited without written permission from Schlegel Electronic Materials, INC.



THIRD ANGLE PROJECTION

TOLERANCES
 Profile thickness: ±.020" (0.51mm)
 Profile width: ±.020" (0.51mm)



SCALE 1:1

CURRENT CONFIGURATIONS

PROFILE	DESCRIPTION
ES713	HR FOAM, NiCu C70 FABRIC
ES714	HR FOAM, NiCu C12 FABRIC
ES719	HR FOAM, Ag C2 FABRIC
ES753	BR FR FOAM, NiCu C70 FABRIC
ES754	BR FR FOAM, NiCu C12 FABRIC
ES759	BR FR FOAM, Ag C2 FABRIC
ES773	SOFT FOAM, NiCu C70 FABRIC

NOTE: Other configurations may be available at special minimum order quantities.

PDR NO.:	④	SEE B.O.M.	RELEASE LINER .720" WIDE (UNLESS OTHERWISE SPECIFIED)
QUOTE NO.:	③	SEE B.O.M.	PSA .250" WIDE (UNLESS OTHERWISE SPECIFIED)
CUSTOMER NAME:	②	SEE B.O.M.	CONDUCTIVE ADHESIVE
CUST DWG NO.:	①	SEE B.O.M.	URETHANE FOAM
SIZE A	Date 1/2/2008	Item No.	RM Number
SHEET 3 OF 3		Material Description	
SCALE: 4:1	Approved By	Drawn By AMY	Title 5mm x 12mm EMI
Cad File No. CC85791A	Part No. ES7xxZxxxx	Dwg. No. CC3E8579	Rev. A